

Stainless Steel Horizontal Pumps

RAE's GTPH Series horizontal end suction multistage pumps are intended for industrial use to carry clean water and fluids without abrasives.

Reliable, quiet, and compact, these non-self-priming pumps feature a coupling connection between the pump shaft and motor shaft.

Stainless steel construction of all parts in contact with pumped fluid ensures corrosion free operation.

All stainless construction and single phase motors are available as options; consult factory for more information.

Applications:

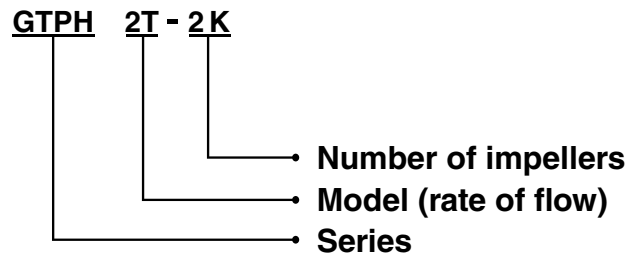
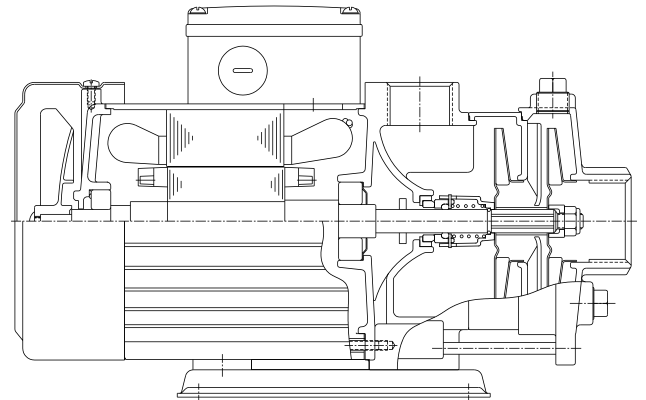
- Industrial circulation systems
- Wash systems
- Pressure boosters
- Liquid transfer
- Agricultural irrigation

MOTOR

Nominal speed: 3500 rpm at 60 Hz
Standard voltage: 3 phase; 230V/460V
Protection class: IP54
Insulation class: F



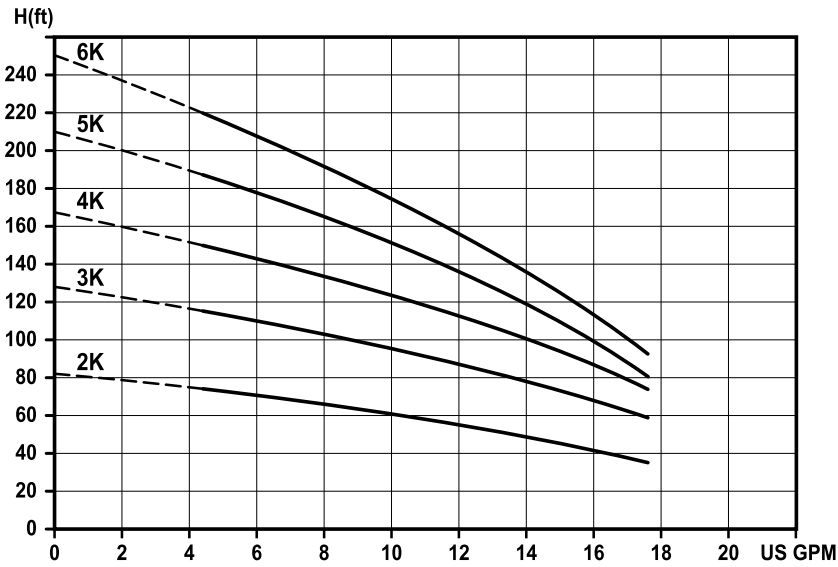
MODEL CODE



OPERATING LIMITS

Ambient temperature: Max 104°F
Liquid temperature range: 32°F to 194°F
Flow: 4 gpm to 16 gpm
Head: 20' to 220'
Operating pressure: Max 142 psi
Inlet pressure: Max 85 psi

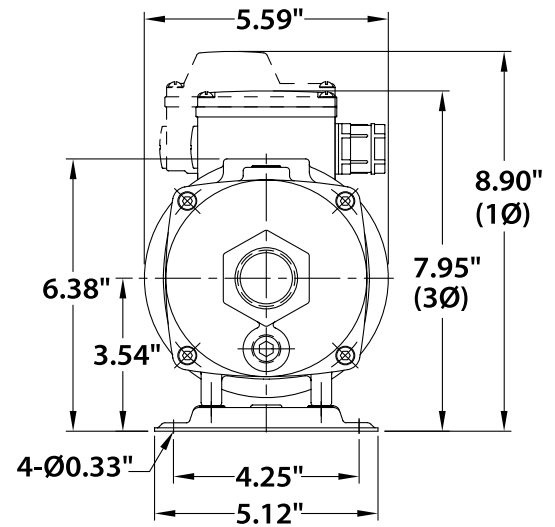
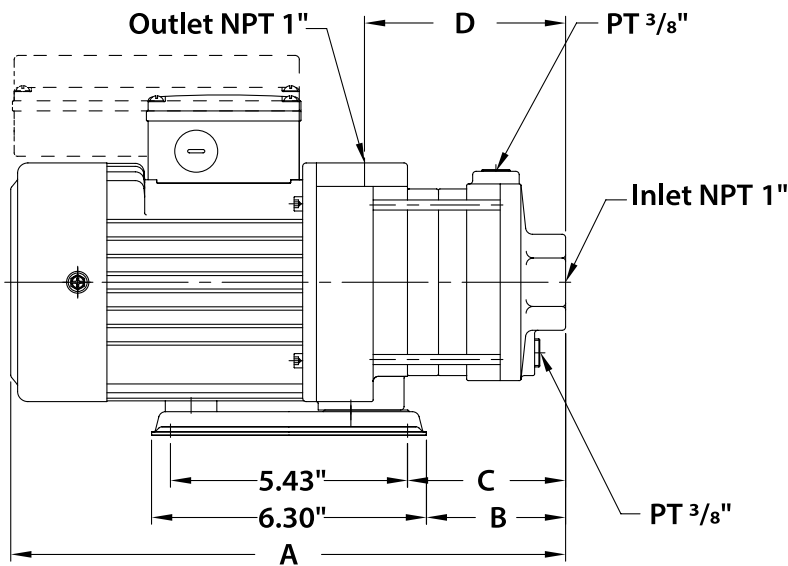
PERFORMANCE CURVES



ELECTRICAL DATA

Model	Amps (A)		Power (hp)
	230V	460V	
GTPH2T2K	2.2	1.5	0.5
GTPH2T3K	2.6	1.6	0.5
GTPH2T4K	3.0	1.7	0.5
GTPH2T5K	3.3	1.8	0.75
GTPH2T6K	4.0	2.4	0.75

DIMENSIONS — WEIGHTS



Model	A (inches)	B (inches)	C (inches)	D (inches)	Weight (pounds)
GTPH2T2K	12.01	1.81	2.91	3.90	26.0
GTPH2T3K	12.72	3.19	3.62	4.61	26.2
GTPH2T4K	13.43	3.90	4.33	5.31	26.5
GTPH2T5K	15.71	4.61	5.04	6.05	29.8
GTPH2T6K	16.42	5.31	5.75	6.73	30.0