



All-Flo Accessories | Solenoid Valves for On/Off Control

Remotely start and stop with an in-line solenoid valve for the air-operated double-diaphragm pump's air line.

| Part No. | Description |
|-------------|--|
| 13412-00-10 | 3/8" Ported Solenoid Valve, 110/50 VAC or 120/60 VAC, for use with A050, A075, and 100 Pumps* |
| 13412-00-12 | 3/8" Ported Solenoid Valve, 12 VDC, for use with A050, A075, and A100 Pumps* |
| 13412-00-20 | 3/8" Ported Solenoid Valve, 220/50 VAC or 240/60 VAC, for use with A050, A075, and A100 Pumps* |
| 13412-00-24 | 3/8" Ported Solenoid Valve, 24 VDC, for use with A050, A075, and A100 Pumps* |
| 13413-00-10 | 3/4" Ported Solenoid Valve, 110/50 VAC or 120/60 VAC, for use with A150, A200, and A300 Pumps |
| 13413-00-12 | 3/4" Ported Solenoid Valve, 12 VDC, for use with A150, A200, and A300 Pumps |
| 13413-00-20 | 3/4" Ported Solenoid Valve, 220/50 VAC or 240/60 VAC, for use with A150, A200, and A300 Pumps |
| 13413-00-24 | 3/4" Ported Solenoid Valve, 24 VDC, for use with A150, A200, and A300 Pumps |
| 13434-00 | 6' Cord with DIN 43650B Female Plug, for use with A050, A075, A100, A150, A200, and A300 Pumps |
| 13465-00 | Illuminated Connector with 6' Cord for 110 VAC/220 VAC, A025 Metering Pumps |
| 13466-00 | Illuminated Connector with 6' Cord for 12 VDC/ 24 VDC, A025 Metering Pumps |
| 13840-26 | 3/8" Male to 1/4" Male Adapter |

*3/8" to 1/4" Adaptor Required

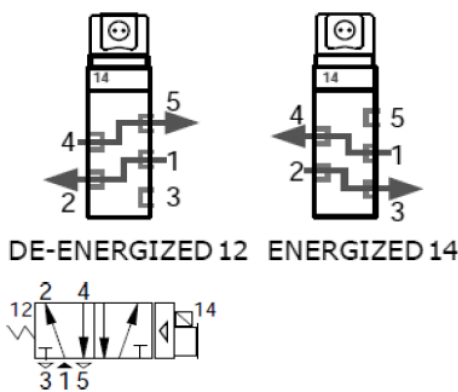
Solenoid Valves for On/Off Control

Cycle Control for Air-Operated Double-Diaphragm Pumps

The A025, A050, and A100 can be configured with solenoid pulse control to enable metering and dispensing application. The solenoid is available in 4 voltages, 110 VAC, 220 VAC, 12 VDC and 24 VDC. All solenoid equipped pumps have a standard DIN 43650B male connector. The 1/4 in. A025 is available with an optional DIN 43650C male connector. See pump product manual for configuration codes.

| A025 Solenoid Electrical Properties | | | | |
|-------------------------------------|----------------|---------|---------------------------------|--------------------------------|
| Voltage +/- 10% | Current (Amps) | | Resist. (OHMS @ 77°F (25°C)) | Power (AC = VA, DC = Watts) |
| | Inrush | Holding | | |
| 110/50 | .02 | .02 | 2310 | 2.4 |
| 110/60 | | | | |
| 220/50 | .01 | .01 | 9515 | 2.4 |
| 220/60 | | | | |
| 12 VDC | .15 | .15 | 78 | 2.0 |
| 24 VDC | .09 | .09 | 283 | 2.0 |

| A050, A075, A100, A200, and A300 Solenoid Electrical Properties | | | | |
|---|----------------|---------|---------------------------------|--------------------------------|
| Voltage +/- 10% | Current (Amps) | | Resist. (OHMS @ 77°F (25°C)) | Power (AC = VA, DC = Watts) |
| | Inrush | Holding | | |
| 110/50 | .08 | .05 | 840 | 6.9 |
| 110/60 | | | | |
| 220/50 | .04 | .03 | 3310 | 6.4 |
| 220/60 | | | | |
| 12 VDC | .38 | .38 | 32 | 4.8 |
| 24 VDC | .20 | .20 | 121 | 4.8 |

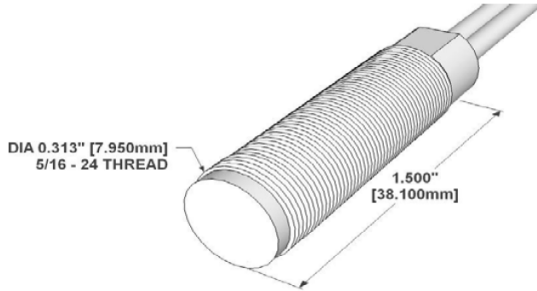
| Valve Operation | | |
|---|--|--|
| | 5/2 Single | |
| | De-Energized | Energized |
|  <p>DE-ENERGIZED 12 ENERGIZED 14</p> | <p>Pressure from Port 1 to Port 2</p> <p>Exhaust from Port 4 to Port 5</p> | <p>Pressure from Port 1 to Port 4</p> <p>Exhaust from Port 2 to Port 3</p> |

Solenoid Valves for On/Off Control

Cycle Control for Air-Operated Double-Diaphragm Pumps

Operational Description

The cycle counter model operates via a magnetically actuated proximity-switch installed into the main air-valve. The switch closes when the spool is in the down position, thus allowing open loop metering applications. This option is available on all pumps. See pump product manual for configuration codes.



| | | |
|-----------------------------|------------------------------------|-------------------------|
| Physical | Configuration* | SPST |
| | Form* | A |
| | Contact Position | CENTER |
| | Glass L | 14.50 mm |
| | Glass D | 2.54 mm |
| | Total L* | 46 mm |
| | Wire D | 0.60 mm |
| | Gap Location | Center |
| | Mount Spec* | THRU |
| | Contact Material | RUTHENIUM |
| | Max Vibration Resistance | 10 G |
| | Max Shock Resistance | 150 G |
| | Lead Tensile Strength | N/A |
| | Operating | Pull in (+/- 2AT)* |
| Drop Out* | | 7.5-17.5 AT |
| Operate Time | | 0.10 ms |
| Bounce Time | | 0.15 ms |
| Release Time | | 30 μ s |
| Resonant Frequency | | 5100 Hz |
| Max Operating Frequency | | N/A |
| Operating Temperature Range | | -67°-221°F (-55°-105°C) |
| Electrical | Storage Temperature | N/A |
| | DC Contact Rating | 15 W |
| | AC Contact Rating | N/A |
| | DC Switching Voltage | 200 VDC |
| | AC Switching Voltage | 140 VAC |
| | DC Switching Current | 1.00 A |
| | AC Switching Current | 1.00 A |
| | DC Max Carry Current | 1.75 A |
| | AC Max Carry Current | 1.75 A |
| | Min Breakdown Voltage | 275 VDC |
| | Max Initial Contact Resistance | 100 mOhm |
| | Typical Initial Contact Resistance | 70 mOhm |
| | Max Contact Capacitance | 0.30 pF |
| | Min Insulation Resistance | 10 ⁶ Ohm |

*Pre-processed, bare reed element

Assembly Characteristics

| | |
|------------------|--------------|
| Housing | 2250 |
| Housing Material | CELANEX 3316 |
| Reed | 1051 |
| Configuration | SPST |
| Form | A |

Wire/Cable Characteristics

| | |
|-------------------------------------|------------------|
| Type | Wires |
| Length | 6 in. (152.4 mm) |
| Conductor Count | 2 |
| Colors | BLK |
| Insulation Material and Description | PVC |
| Gauge | 24 AWG |
| Standard Copper | 7 STR-TC |
| Maximum Temperature | 221°F (105°C) |

Standard Actuator/Minimum Make Distance

| | |
|------------------------------------|----------------|
| 2250-4002-00 – Alnico 5 – Cylinder | 0.13" (3.3 mm) |
|------------------------------------|----------------|

Assembly Certifications

| | |
|---------------------------------|---|
| UL Recognized (file #: E102207) | Y |
| RoHS | Y |