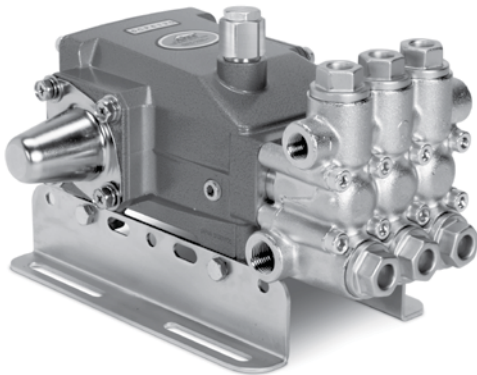


DATA SHEET

5CP PLUNGER PUMP



Brass Model: 5CP6120.44101



Model 5CP6120.44101 Shown
(Rails and shaft protector sold separately)

FEATURES

- Field- tested, high pressure triplex pump configured for high temperature TEG (triethylene glycol) applications up to 240°F/115°C. May be used in other high temperature applications with fluids possessing adequate lubrication properties. Contact Cat Pumps for more information.
- Positive displacement technology for optimum energy efficiency.
- Re-configured pump .44101 option consists of following materials:
 - O-Ring material throughout the pump: Fluoropolymer elastomers.
 - Oil filler cap assembly: Brass adapters, chrome-plated steel vented cap.
 - Rear sight gauge assembly: Aluminum sight adapter and stainless steel sight gauge.
 - Seal retainers: Aluminum.
 - Low-pressure seals and V-Packings: Special PTFE blends.

SPECIFICATIONS

	U.S. Measure	Metric Measure
Flow	6.0 gpm	22.7 lpm
Pressure Range	100 to 1600 psi	6.9 to 110 bar
Pump RPM*	1400 rpm	1400 rpm
Inlet Pressure Range	Flooded to 60 psi	Flooded to 4 bar
Max. Liquid Temperature	240° F	115° C
Bore	0.787"	20 mm
Stroke	0.709"	18 mm
Crankcase Capacity	17 oz.	0.51 l
Inlet Ports (2)	1/2" NPT(F)	1/2" NPT(F)
Discharge Ports (2)	3/8" NPT(F)	3/8" NPT(F)
Shaft Diameter	0.787"	20 mm
Pulley Mounting	Either Side	Either Side
Weight	19.9 lbs.	9 kg
Dimensions	11.04 x 10.0 x 6.75"	280 x 254 x 171 mm

ALTERNATE SPECIFICATIONS

Flow	7.4 gpm	28.0 lpm
Pressure Range	100 to 1200 psi	6.9 to 83 bar
Pump RPM*	1725 rpm	1725 rpm

*Pump minimum is 100 RPM.

ELECTRIC HORSEPOWER REQUIREMENTS

FLOW		PRESSURE				RPM
		psi 900	psi 1200	psi 1450	psi 1600	
U.S. gpm	lpm	bar 62	bar 83	bar 100	bar 110	
7.4	28.0	4.6	6.1	N/A	N/A	1725
6.0	22.7	3.7	4.9	6.0	6.6	1400

**DETERMINING
THE PUMP R.P.M.**

$$\frac{\text{Rated gpm}}{\text{Rated rpm}} = \frac{\text{"Desired" gpm}}{\text{"Desired" rpm}}$$

**DETERMINING
THE REQUIRED H.P.**

$$\text{Hp (Electric Brake)} = \frac{\text{gpm} \times \text{psi}}{1460}$$

**DETERMINING
MOTOR PULLEY SIZE**

$$\frac{\text{Motor Pulley O.D.}}{\text{Pump rpm}} = \frac{\text{Pump Pulley O.D.}}{\text{Motor rpm}}$$

See complete Drive Packages [Includes: pulleys, belts, hubs, key] Tech Bulletin 003.
Refer to pump **Service Manual** for repair procedure and additional technical information.

PARTS LIST

ITEM	PART NUMBER	MATL	DESCRIPTION	QTY
5	126542	STCP R	Screw, HHC, Sems (M8x16)	8
8	46910	AL	Cover, Bearing	2
10	76028	FPM	O-Ring, Bearing Cover - 70D	2
11	76236	FPM	Seal, Oil, Crankshaft - 70D	2
15	14480	STL	Bearing, Ball	2
20	48742	TNM	Rod, Connecting Assy	3
25	46928	FCM	Crankshaft, Dual End (M18)	1
31	76142	AL	Adapter, Breather	1
32	76797	BB	Cap, Vented	1
36	76792	SS	Gauge, Sight	1
37	76791	AL	Adapter, Sight	1
38	44428	NBR	Gasket, Flat, Adapter - 80D	1
40	125824	STCP R	Screw, HHC, Sems (M6x16)	4
48	25625	STCP	Plug, Drain (1/4"x19BSP)	1
49	30322	FPM	O-Ring, Drain Plug	1
50	46940	AL	Cover, Rear	1
51	76234	FPM	O-Ring, Rear Cover - 70D	1
53	48617	AL	Crankcase	1
64	46746	CM	Pin, Crosshead	3
65	48458	BBNP	Rod, Plunger	3
70	76838	FPM	Seal, Oil, Crankcase - 70D	3
75	43328	S	Slinger, Barrier	3
88	45697	S	Washer, Keyhole (M18)	3
90	46841	CC	Plunger (M20x50)	3
98	48394	FPM	Washer, Seal - 90D	3
99	† 48201	SS	Retainer, Plunger w/Stud (M6)	3
100	76749	AL	Retainer, Seal	3
106	76149	ST4	Seal, LPS w/S-Spg	3
120	49436	BB	Case, Seal	3
121	14329	FPM	O-Ring, Seal Case	3
125	76395	ST4	Seal, HPS w/S	3
139	22179	BBCP	Plug, Inlet [1/2" NPT(M)]	1
162	43248	PTFE	Back-up-Ring, Seat	6
163	44383	FPM	O-Ring, Seat - 70D	6
164	43722	S	Seat	6
166	43721	S	Valve	6
167	43751	S	Spring	6
168	44564	PVDF	Retainer, Spring	6
172	11691	FPM	O-Ring, Valve Plug - 90D	6
174	125214	BBNP	Plug, Valve	6
185	49761	BBCP	Manifold, Head	1
188	126513	STCP R	Screw, HSH (M8x70)	8
196	22187	BBCP	Plug, Discharge [3/8" NPT(M)]	1

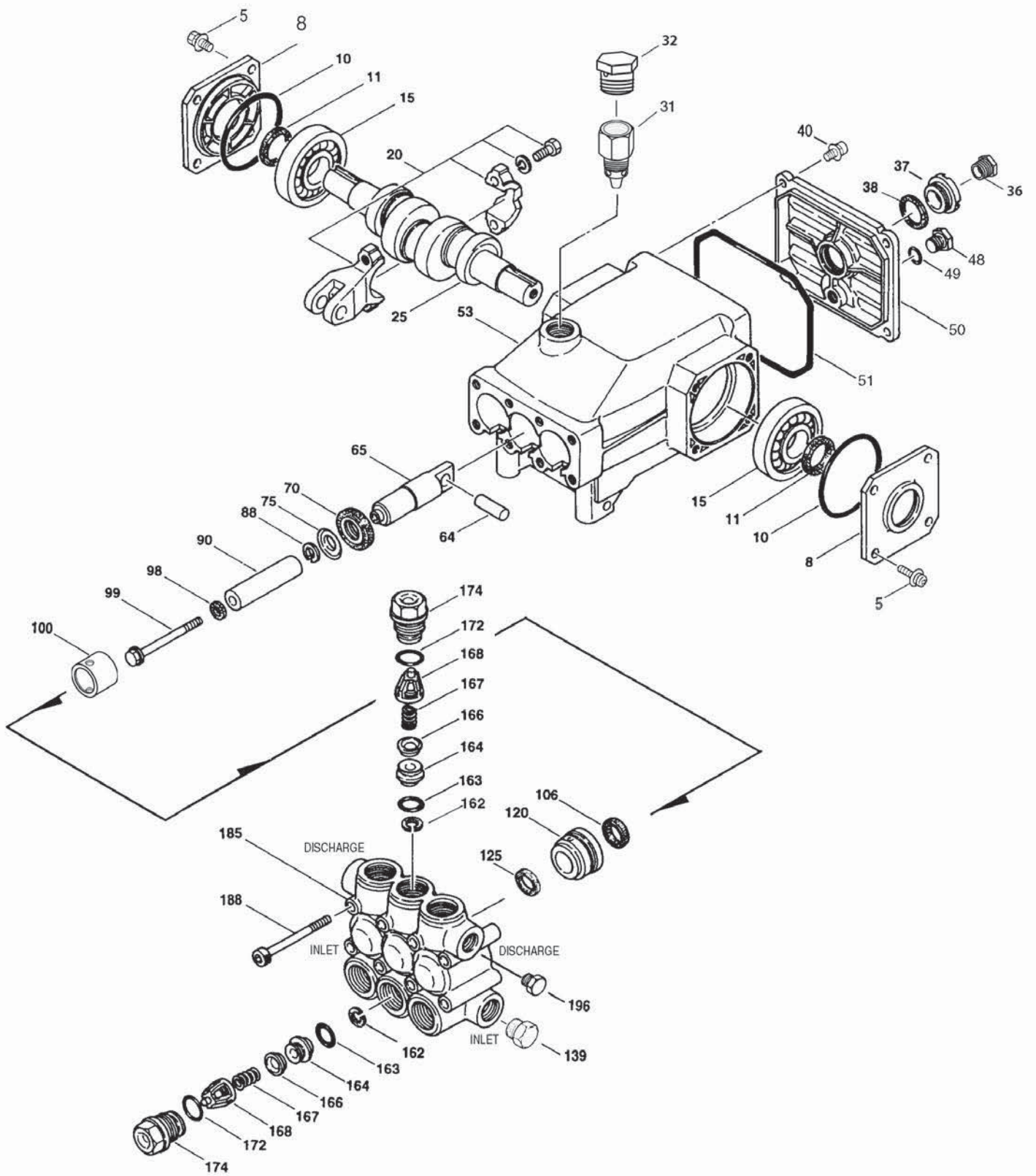
Optional Parts And Accessories On Page 4

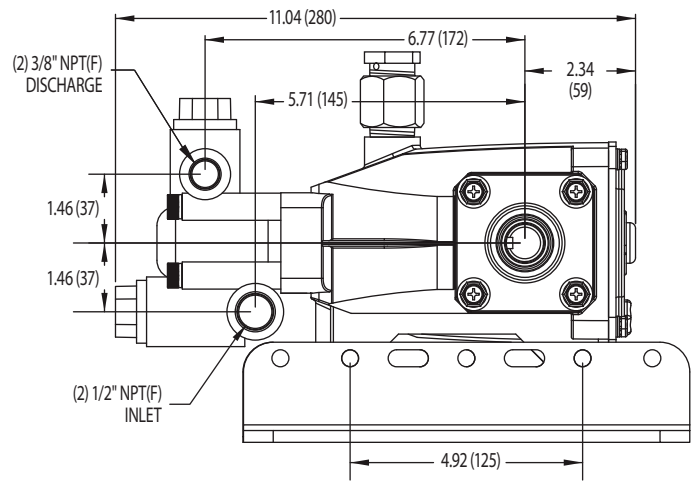
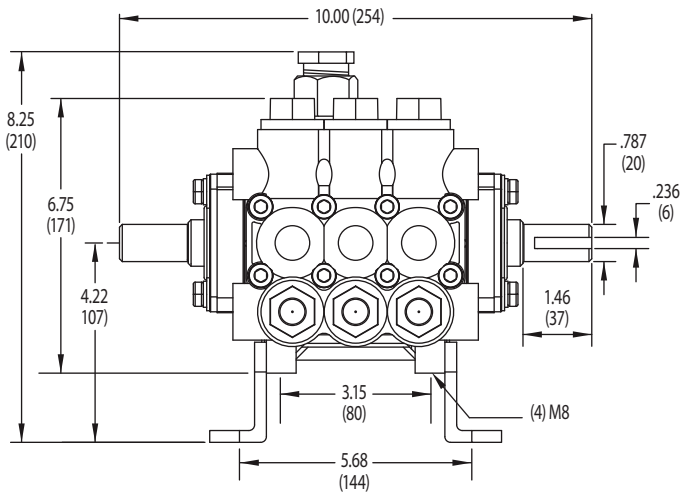
† Production parts are different than repair parts. R Components comply with RoHS Directive.

View Tech Bulletins 002, 003, 024, 036, 043, 053, 060, 061, 064, 073, 074, 078 and 083 for additional information.

MATERIAL CODES (Not Part of Part Number): AL=Aluminum BB=Brass BBCP=Brass/Chrome Plated BBNP=Brass/Nickel Plated CC=Ceramic CM=Chrome-moly FCM=Forged Chrome-moly FPM=Fluorocarbon NBR=Medium Nitrile(Buna-N) PTFE=Pure Polytetrafluoroethylene PVDF=Polyvinylidene Fluoride S=304SS SS=316SS ST4=Special PTFE 4 STL=Steel STCP=Steel/Chrome Plated TNM=Special High Strength

EXPLODED VIEW

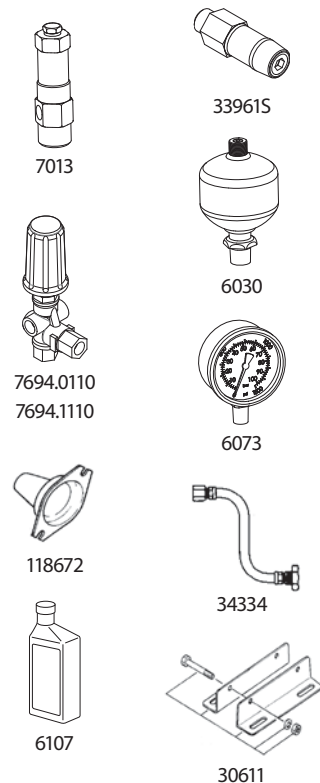




Model 5CP6120.44101

OPTIONAL PARTS AND ACCESSORIES

Part Number	Description	QTY
7013	Regulator (Primary Pressure Control)	1
7694.0110	Unloader (Primary Pressure Control)	1
7694.1110	Relief Valve (Secondary Pressure Control)	1
339615	Pop-Off Valve (Secondary Pressure Control)	1
6073	Pressure Gauge	1
6030	Accumulator	1
30611	Mounting Rails	1
118672	Shaft Protector	1
30057	Key (M6x6x25)	1
76334	Kit, Oil Indicator (3/8" x 24") See Individual Data Sheet	1
34334	Kit, Oil Drain (3/8" x 24") See Individual Data Sheet	1
76237	Kit, Seal (Includes Items 98, 106, 121, and 125)	1
31263	Kit, Valve (Includes Items 162, 163, 164, 166, 167, 168 and 172)	2
816666.44101	Complete Head	1
30696	Pliers (Reverse)	1
44050	Tool, Sight Gauge Removal	1
6107	Oil, Bottle (21 oz.) ISO 68 Hydraulic	1



⚠ CAUTIONS AND WARNINGS

All High Pressure Systems require a primary pressure regulating device (i.e. regulator, unloader) and a secondary pressure relief device (i.e. pop-off valve, relief valve). Failure to install such relief devices could result in personal injury or damage to pump or property. Cat Pumps does not assume any liability or responsibility for the operation of a customer's high pressure system.

Read all CAUTIONS and WARNINGS before commencing service or operation of any high pressure system. The CAUTIONS and WARNINGS are included in each service manual and with each Accessory Data sheet. CAUTIONS and WARNINGS can also be viewed online at www.catpumps.com/cautions-warnings or can be requested directly from Cat Pumps.

WARRANTY

View the Limited Warranty on-line at www.catpumps.com/warranty.



CAT PUMPS

1681 - 94TH LANE N.E. MINNEAPOLIS, MN 55449-4324
 PHONE (763) 780-5440 — FAX (763) 780-2958
 e-mail: techsupport@catpumps.com
www.catpumps.com