

FILL-RITE®

KIT Finder

Pardon our dust as we work on a new tool to allow you to find the kits you need. In the mean time, this version is functional and will take you to exactly what you need.

The Tuthill Marketing Team

ENTER

Table of Contents

- [Small Pump Kits](#)
 - FR1200 / FR2400 / FR4200 /
FR4400 / FR600 / SD1200 /
SD600 / 1600
- [FR3200 Series Kits](#)
- [NX3200 Series Kits](#)
- [FR700 Kits](#)
- [Cabinet Meter/Pump Kits](#)
- [FR300 Kits](#)
- [800 Series Meter Kits](#)
- [900 Series Meter Kits](#)
- [TN Meter Kits](#)
- [Turbine Meter Kits](#)
- [Hand Pump Kits](#)
- [RD Pump Kits](#)
- [DEF Kits](#)

Small Pump Kits

- [4200KTF8739 – Rebuild](#)
- [1200KTG8572 – Rebuild](#)
- [KIT120RKG – Rebuild for G Series](#)
- [BD4200KTH0710 – Rebuild \(Bio-Diesel\)](#)
- [KIT120BD – Bio-Diesel Conversion](#)
- [KIT120BG – Inlet Flange](#)
- [KIT120BV – Bypass Valve](#)
- [KIT120ES – Switch & Fork](#)
- [KIT120FLG – 4200 Meter Flange](#)
- [KIT120JC – Junction Box Cover](#)
- [KIT120NB – Nozzle Boot](#)
- [KIT120RG – Rotor / Vane / Cover](#)
- [KIT120RGG – Rotor / Vane / Cover - G Series](#)
- [KIT120SG – Inlet Screen & Gasket](#)
- [KIT120SL – Shaft Seal](#)
- [KIT120SW – Switch Lever](#)
- [KIT120CBR – Thermal Protector / Rectifier for 600 Series](#)
- [KITFR1612 – Rebuild](#)
- [KIT120VG – Vanes / Rotor Key / Rotor Cover Gasket](#)
- [KIT120VP – Bulk Vane and Key](#)
- [KIT120TPP – Bulk Thermal Protector](#)
- [KIT120RKP – Bulk Rotor Key](#)
- [KIT120RHP – Bulk Brush and Holder](#)
- [KIT120RGP – Bulk Rotor](#)
- [KIT120ESP – Bulk Electrical Switch](#)
- [KIT700SSP – Bulk Switch Shaft](#)
- [KIT120CCP – Bulk Cable Connector](#)
- [KIT120BPP – Bulk Bypass Poppet](#)
- [KIT120CP – Bulk Capacitor Kit](#)
- [KIT100GBP – Bulk Inlet Gasket](#)
- [KIT700FGP – Bulk Discharge Gasket](#)
- [KIT120ARM – FR1200 / SD1200 Motor](#)
- [KIT121ARM – FR2400 Motor](#)
- [KIT122ARM – FR4200 Motor](#)
- [KIT123ARM – FR4400 Motor](#)
- [KIT124ARM – FR600 / SD600 Motor](#)

FR700 Series Pump Kits

- [700KTF2659 – Rebuild](#)
- [BD700KTH0711 – Bio-Diesel Rebuild](#)
- [KIT700AS – Anti-Siphon](#)
- [KIT700BD – Bio-Diesel Conversion](#)
- [KIT700BG – Bung Adapter](#)
- [KIT700BV – Bypass Valve](#)
- [KIT700CV – Check Valve](#)
- [KIT700JC – Junction Box Cover](#)
- [KIT120NB – Nozzle Boot](#)
- [KIT700MA – Meter Flange – 800 Series](#)
- [KIT700OT – Straight ¾” Outlet Flange](#)
- [KIT700OT1 – Straight 1” Outlet Flange](#)
- [KIT700RG – Rotor / Vane / Cover](#)
- [KIT700SG – Inlet Screen & Gasket](#)
- [KIT700SL – Shaft Seal](#)
- [KIT700SW – Switch Lever](#)
- [KIT900PF – Meter Flange – 900 Series](#)
- [KIT700AVBP – Bulk Anti-Siphon Body](#)
- [KIT700VP – Bulk Vane and Key](#)
- [KIT700RKP – Bulk Rotor Key](#)
- [KIT700RP – Bulk Rotor](#)
- [KIT700FGP – Bulk Discharge Gasket](#)
- [KIT120ESP – Bulk Electrical Switch](#)
- [KIT700SSP – Bulk Switch Shaft](#)
- [KIT700CVP – Bulk Check Valve Assembly](#)
- [KIT120BPP – Bulk Bypass Poppet](#)
- [KIT700BPSP – Bulk Bypass Spring](#)
- [KIT300GBP – Bulk Rotor Cover Gasket](#)
- [KIT300FGP – Bulk Discharge Flange Gasket](#)
- [KIT300GSK – Bulk Inlet Flange Gasket](#)

FR300 Series Pump Kits

- [300KTF7794 – Rebuild](#)
- [BD300KTH0712 – Bio-Diesel Rebuild](#)
- [KIT300BD – Bio-Diesel Conversion](#)
- [KIT700AS – Anti-Siphon](#)
- [KIT700BG – Bung Adapter](#)
- [KIT300BV – Bypass Valve](#)
- [KIT300JC – Junction Box Cover](#)
- [KIT300NB – Nozzle Boot – Old Style](#)
- [KIT120NB – Nozzle Boot – New Style](#)
- [KIT300NR – Nozzle Retainer](#)
- [KIT300MA – Meter Flange](#)
- [KIT300OT – Straight Outlet Flange](#)
- [KIT300RG – Rotor / Vane / Cover](#)
- [KIT300SG – Check Valve / Strainer](#)
- [KIT700SL – Shaft Seal](#)
- [KIT300SW – Switch Lever](#)
- [KIT700AVBP – Bulk Anti-Siphon Body](#)
- [KIT300IP – Bulk Rotor Inserts](#)
- [KIT300VP – Bulk Vane and Key](#)
- [KIT300RIP – Bulk Rotor and Rotor Insert](#)
- [KIT300CVP – Bulk Check Valve / Strainer](#)
- [KIT300BVP – Bulk Bypass Valve](#)
- [KIT300GBP – Bulk Rotor Cover Gasket](#)
- [KIT300FGP – Bulk Discharge Flange Gasket](#)
- [KIT300GSK – Bulk Inlet Flange Gasket](#)

FR3200 Series Pump Kits

- [KIT320RK – Rebuild](#)
- [KIT320RG – Rotor / Vane / Cover](#)
- [KIT320MA – Meter Flange](#)
- [KIT320BG – Inlet Flange](#)
- [KIT320BV – Bypass Valve](#)
- [KIT320SK – External Seals](#)
- [KIT320SW – Line Switch / Breaker](#)
- [KIT320SL – Shaft Seal](#)
- [KIT120NB – Nozzle Boot](#)
- [KIT120SG – Inlet Screen and Gasket](#)
- [KIT120RKP – Bulk Rotor Key](#)
- [KIT100GBP – Bulk Inlet Gasket](#)

NX3200 Series Pump Kits

- [KIT321BG – NPT Inlet Flange](#)
- [KIT321BGB – BSPP Inlet Flange](#)
- [KIT321BV – Bypass Valve](#)
- [KIT321NB – Nozzle Boot](#)
- [KIT321AC – Power Cable](#)
- [KIT321RG – Rotor / Vanes / Cover](#)
- [KIT321RK – Rebuild Kit](#)
- [KIT321SK – All External Seals](#)
- [KIT321SW – Switch Assembly](#)
- [KIT320SL – Shaft Seal](#)
- [KIT120SG – Inlet Screen and Gasket](#)
- [KIT120RKP – Bulk Rotor Key](#)
- [KIT100GBP – Bulk Inlet Gasket](#)

Hand Pump Kits

30 Series Quart Stroke

- [30KTF4919 - Rebuild](#)
- [KIT100WGP – Bulk Wood Handle](#)

100 Series Rotary

- [100KTF1214 - Rebuild](#)
- [KIT100WHP – Bulk Shaft Seal](#)
- [KIT120SG – Inlet Screen and Gasket](#)
- [KIT152VBP – Bulk Vacuum Breaker](#)
- [KIT100GBP – Bulk Inlet Gasket](#)
- [KIT100WGP – Bulk Wood Handle](#)

5200 Series Piston

- [5200KTF1828 – Rebuild](#)
- [KIT152VB – Vacuum Breaker](#)
- [KIT152HA – Handle Kit](#)
- [KIT152VBP – Bulk Vacuum Breaker](#)

800 Meter Kits

800 Series

- [800KT - Rebuild](#)
- [KIT800GR – Gallon Register and Faceplate](#)
- [KIT800LR – Liter Register and Faceplate](#)
- [KIT800MK – To Mount Meter to Sml Pmps](#)
- [KIT800FPP – Bulk Gallon Faceplates](#)
- [KIT800LFPP – Bulk Liter Faceplates](#)
- [KIT800REP – Bulk Gallon Registers](#)
- [KIT800LREP – Bulk Liter Registers](#)
- [KIT800CGP – Bulk Buna Cover Gasket](#)
- [KIT800RBPK – Bulk 1" x ¾" Reducer Bushing](#)
- [KIT702MG – Gallon Meter Sub Assembly](#)
- [KIT702ML – Liter Meter Sub Assembly](#)

900 Meter Kits

900 Series

- [900KT – Rebuild](#)
- [KIT900GR – Gallon Register and Faceplate](#)
- [KIT900LR – Liter Register and Faceplate](#)
- [KIT900PF1.5N – 1½” NPT Nkl Meter Flange](#)
- [KIT900PF1.5B – 1½” BSP Nkl Meter Flange](#)
- [KIT900PF1N – 1” NPT Nkl Meter Flange](#)
- [KIT900PF1B – 1” BSP Nkl Meter Flange](#)
- [KIT900FPP – Bulk Gallon Faceplates](#)
- [KIT900REP – Bulk Gallon Registers](#)
- [KIT900LFPP – Bulk Liter Faceplates](#)
- [KIT900LREP – Bulk Liter Registers](#)
- [KIT900FGP – Bulk 1½” Meter Flange/Gasket](#)
- [KIT900CGP – Bulk Buna Cover Gasket](#)
- [KIT300GSK – Bulk Inlet / Outlet Flange Gasket](#)
- [KIT900PF – Meter Pump Flange](#)
- [KIT120FLG – 4200 Meter Flange](#)

900 Digital Series

- [900DKT – Rebuild](#)
- [KIT900PF – Meter Pump Flange](#)
- [KIT900PF1.5N – 1½” NPT Nkl Meter Flange](#)
- [KIT900PF1.5B – 1½” BSP Nkl Meter Flange](#)
- [KIT900PF1N – 1” NPT Nkl Meter Flange](#)
- [KIT900PF1B – 1” BSP Nkl Meter Flange](#)
- [KIT900DPBA – Intrinsically Safe Barrier](#)
- [KIT900CDFP – 900CD Electronic Faceplate](#)
- [KIT900CDPFP – 900CDP Electronic Faceplate](#)

TN Meter Kits

TN740 Meters

- [MC8600 – Meter Chamber Assembly](#)
- [RK8101 – Control Plate, Fluorocarbon Seals](#)
- [KIT900LREP – Bulk Registers](#)
- [RK3700 – Register Cover and Reset Knob](#)
- [PL5250 – Cover, Gasket, and Screws](#)

TN760 Meters

- [MC8800 – Meter Chamber Assembly](#)
- [RK8101 – Control Plate, Fluorocarbon Seals](#)
- [KIT900LREP – Bulk Registers](#)
- [RK3700 – Register Cover and Reset Knob](#)
- [PL5250 – Cover, Gasket, and Screws](#)

TN860 Meters

- [MC8800 – Meter Chamber Assembly](#)
- [RK8101 – Control Plate, Fluorocarbon Seals](#)
- [RK8201 – Control Plate, PTFE Seals](#)
- [KIT900LREP – Bulk Registers](#)
- [RK3700 – Register Cover and Reset Knob](#)
- [PL5250 – Cover, Gasket, and Screws](#)

Turbine Meter Kits

TT Turbine Meter Kits

- [KITMODTT10A – TT10A Replacement Module](#)
- [KITMODTT10P – TT10P Replacement Module](#)

Cabinet Meter and Pump Kits

FR702 Pump Cabinets

- [702KTF3518 – Unv Nozzle Boot / Switch Rod](#)
- [KIT702FP – Old FR702 Faceplate](#)
- [KIT702VELRUF – FR702VELRU Faceplate](#)
- [KIT702VLRUF – FR702VLRU Faceplate](#)
- [KIT702VRFP – FR702VR Faceplate](#)
- [KIT702VRGUF – FR702VRGU Faceplate](#)
- [KIT702VRUF – FR702VRU Faceplate](#)
- [KIT702MG – Gallon Meter Sub Assembly](#)
- [KIT702ML – Liter Meter Sub Assembly](#)
- [KIT902CC – Clear Cover](#)

FR902C Meter Cabinets

- [KIT902LRFP – FR902CLR Faceplate](#)
- [KIT902LRUF – FR902CLRU Faceplate](#)
- [KIT902RFP – FR902CR Faceplate](#)
- [KIT902RUF – FR902CRU Faceplate](#)
- [KIT902HA – Switch Handle Assembly](#)
- [KIT902CC – Clear Cover](#)
- [KIT902LS – Line Switch for FR902C](#)
- [KIT902SV – Solenoid Valve](#)
- [LIT902MB – Wall Mount Bracket](#)

FR902DPU and FR302DPU Meter Cabinets

- [KIT900CABINT – 900 Digital Meter \(902/302\)](#)
- [KIT302DPD – Register Assy for 902 / 302](#)
- [KIT305NZ – Universal Nozzle Boot](#)
- [KITPD – Pedestal](#)
- [KITWM – Wall Mount Bracket](#)

RD Series Pump Kits

- [KIT812PC – Power Cable Kit](#)
- [KIT812RG – Rebuild Kit for 8 GPM Pump](#)
- [KIT812FL – Single NPT Flange Kit](#)
- [KIT812FLB – Single BSPP Flange Kit](#)
- [KIT812SL – Seal Kit](#)
- [KIT812NH – Hose Kit for 8 GPM Pump](#)
- [KIT812NP – Bung Mount Kit](#)
- [KIT1212NH – Hose Kit for 12 GPM Pump](#)
- [KIT1212RG – Rebuild Kit for 12 GPM Pump](#)

DEF Kits

Stainless Steel DEF Kits

- [KIT180DTPS – Suction Tube Assembly](#)
- [KIT180MPPS – Tote Mounting Plate](#)
- [KIT180MAPS – Plate, Nozzle, and Hose](#)
- [KIT180MAMPS – Plate, Meter, Noz, Hose](#)
- [KIT180SP – SS ¾” BSPP Union](#)
- [KITFR32V – Rebuild Kit for SS DEF Pump](#)
- [KITFR55DU – 55 Gallon Drum Stand](#)

DEF Hand Pump Kits

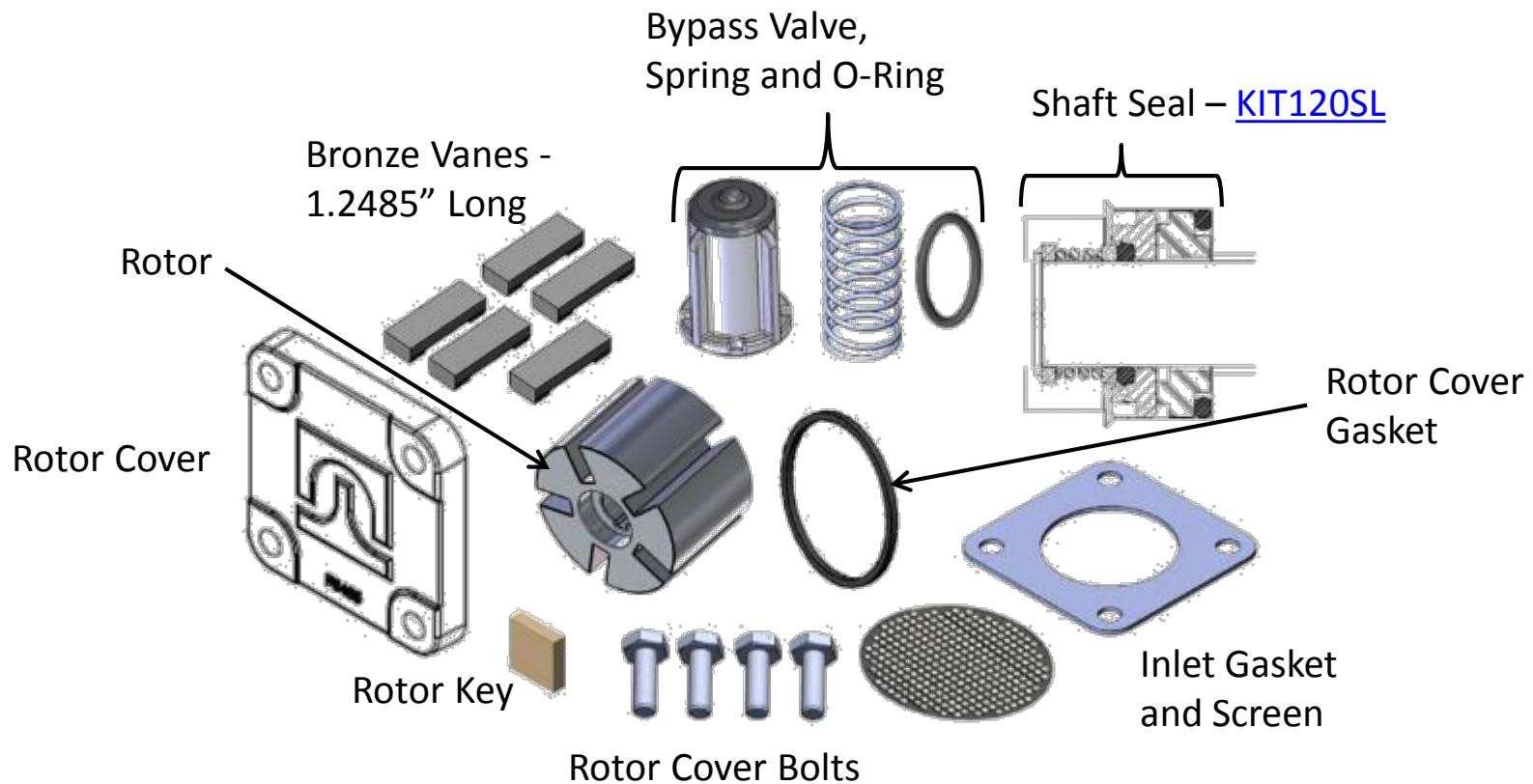
- [KITHA32V – Hose w/ Ball Valve Tap](#)
- [KITHA32VMN – Hose w/ Manual Nozzle](#)

DF DEF Kits

- [KITDFDB – Drum Bracket](#)
- [KITDFFK – Fittings](#)
- [KITDFH05 – 5’ x ¾” Suction Hose](#)
- [KITDFH20 – 20’ x ¾” Discharge Hose](#)
- [KITDFHF – Replacement Handle and Foot](#)
- [KITDFNB – Nozzle Boot Reservoir](#)
- [KITDFPK – Spare Parts](#)

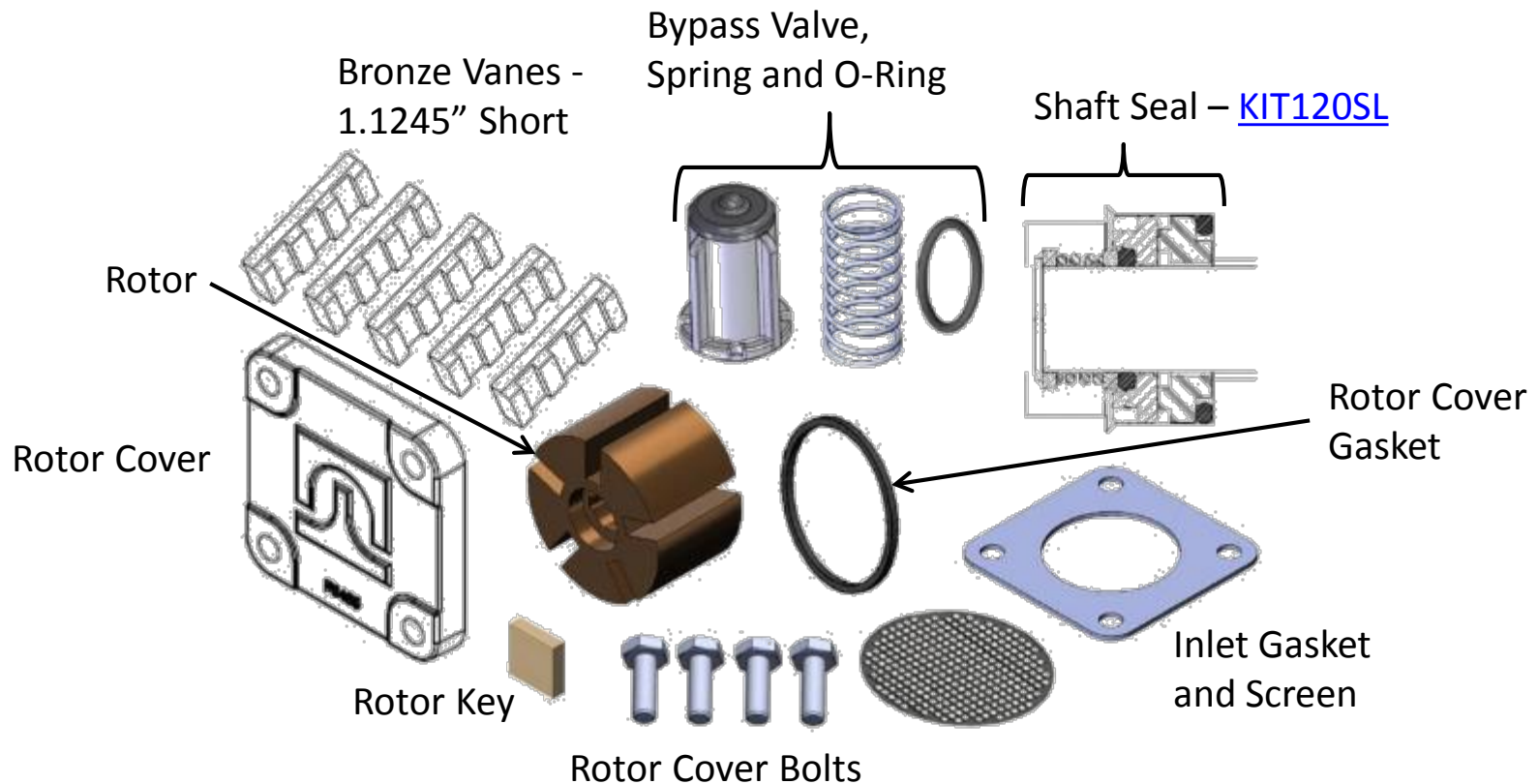
4200KTF8739 Rebuild Kit

- Used in all FR1200C, FR2400C, FR4200D, FR4400, and FR600 Pumps.
- Used in SD1200 and SD600 Pumps with a Manufacture date after 4404.
- Always replace the rotor and rotor cover to ensure they are the same hardness.



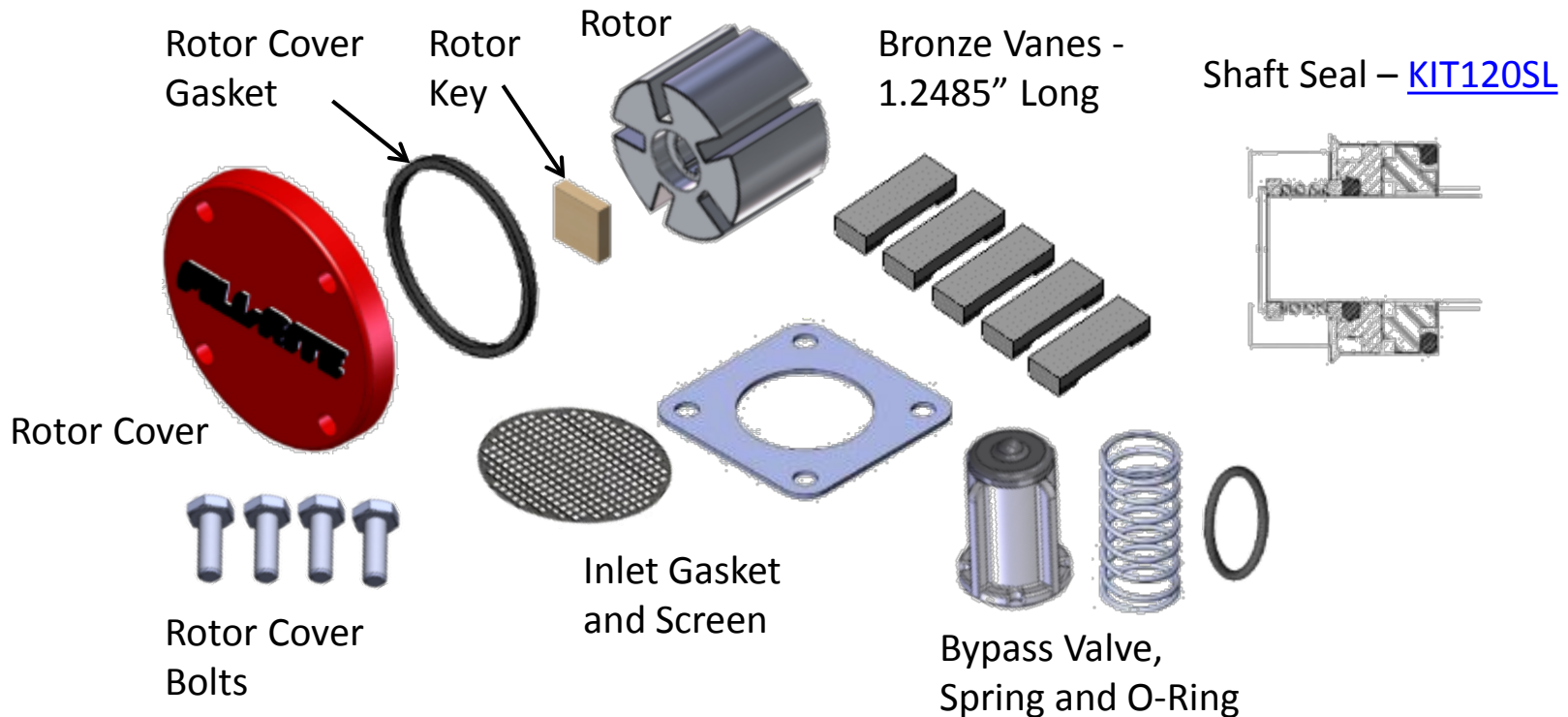
1200KTG8572 Rebuild Kit

- Used in all FR1200B and FR2400B Pumps.
- Used in SD1200 and SD600 Pumps with a Manufacture date before 4404.
- Always replace the rotor and rotor cover to ensure they are the same hardness.



KIT120RKG Rebuild Kit

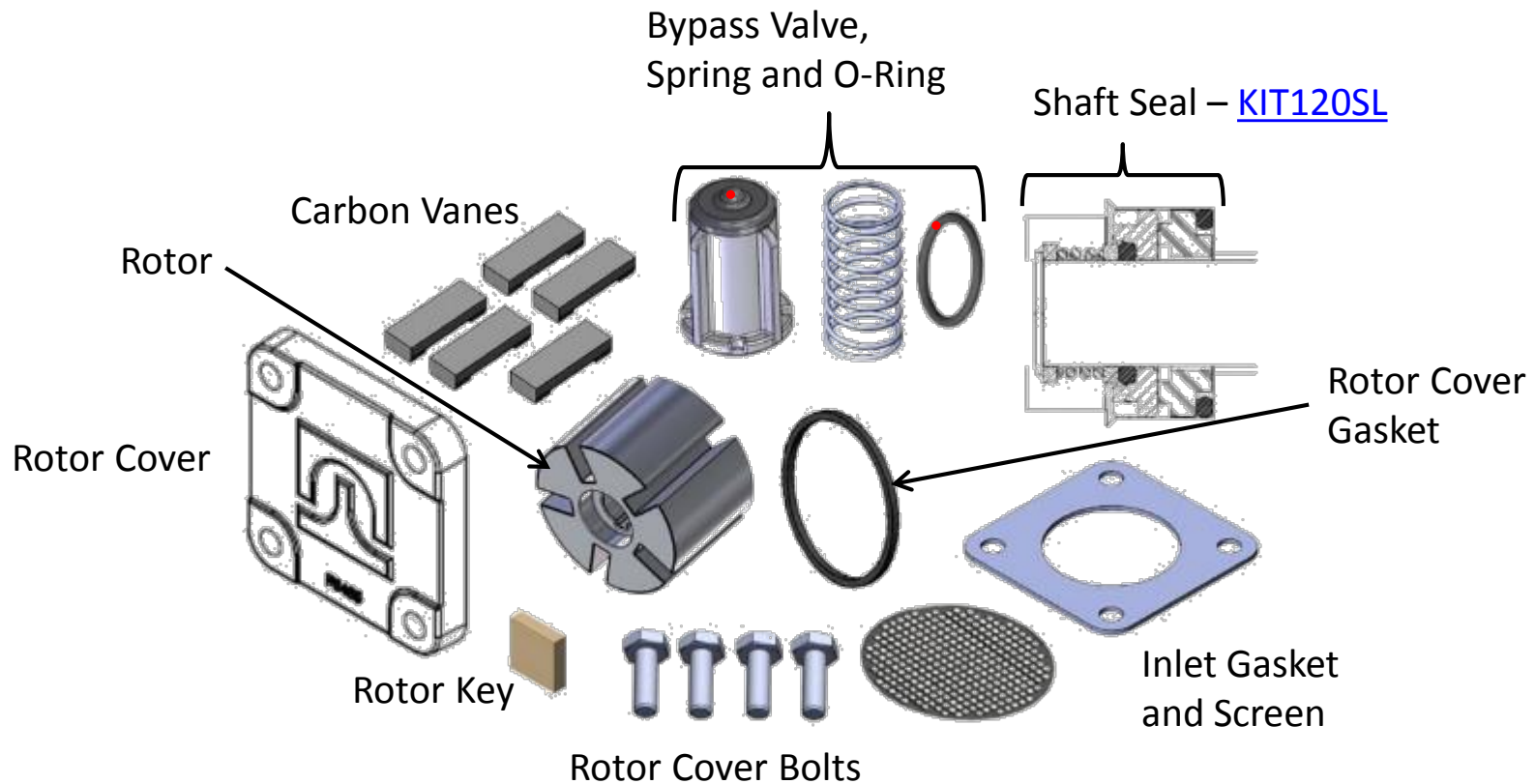
- Used in all FR1200G, FR2400G, FR4200G, FR4400G, and FR600G, SD1200G, and SD600G series pumps.



BD4200KTH0710 Bio-Diesel Rebuild Kit

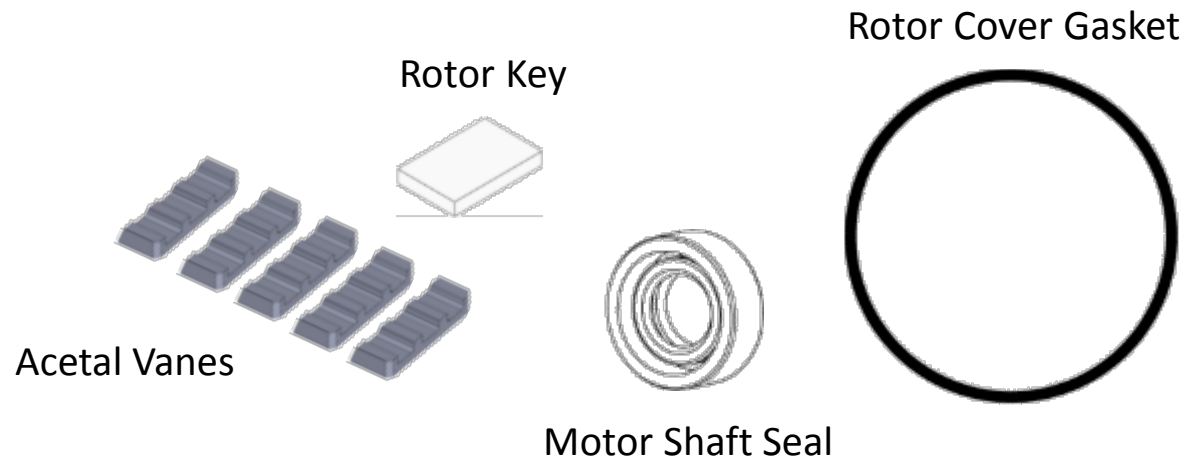
- Used in all BD1200 and BD4200 Pumps.
- Always replace the rotor and rotor cover to ensure they are the same hardness.

- O-Rings will be brown or black with a red dot.
- Tip on bypass valve will be black with red dot.
- Inlet gasket is black.
- All rubber components are fluorocarbon (Viton).



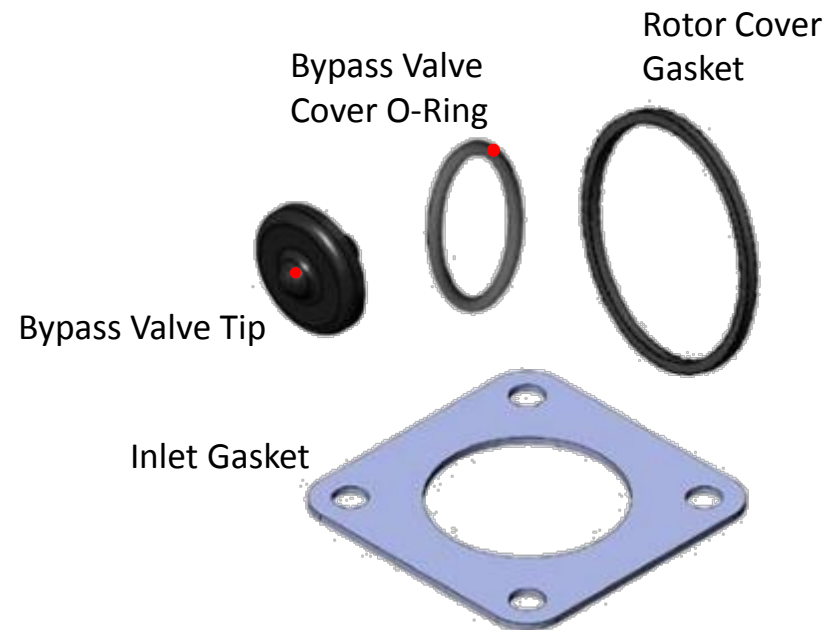
KITFR1612 – Rebuild Kit

- Used in FR1600 Series Pumps (FR1612, FR1614, and FR1616)



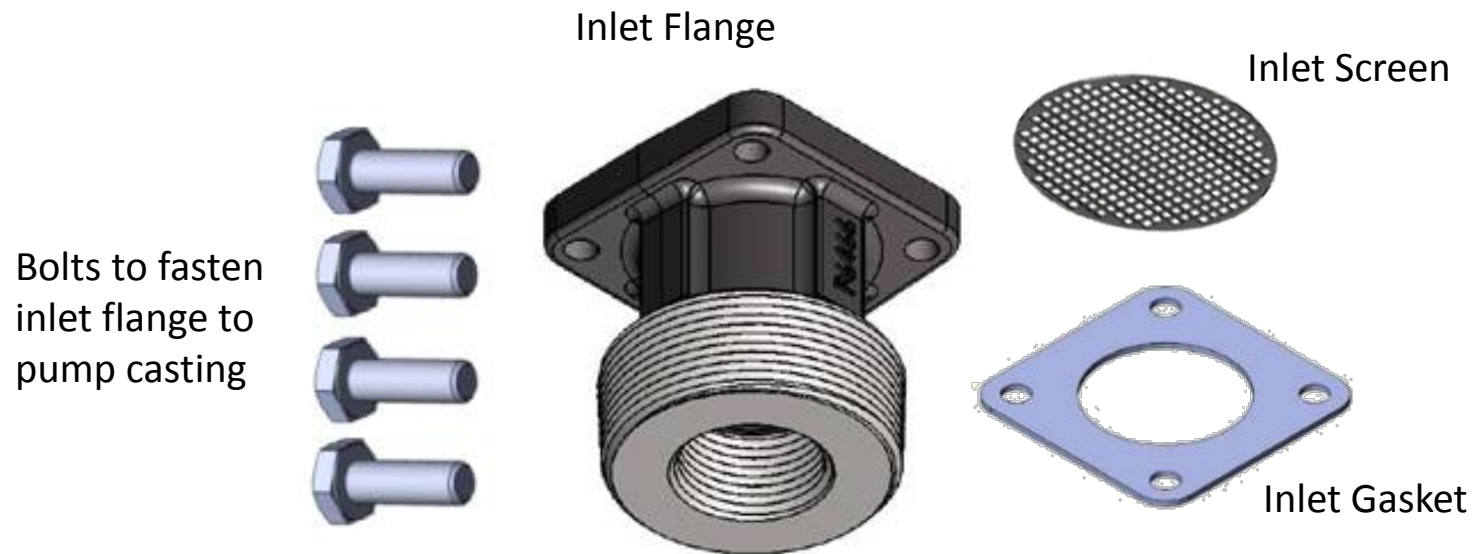
KIT120BD – Bio-Diesel / E85 Conversion Kit

- Use to convert any FR1200 / FR2400 / FR4200 / FR4400 / FR600 / SD1200 / SD600 to be used with Bio-Diesel blends of B21 or greater, or E85.
- When dispensing E85, run the pump at a minimum of 3 times a week to ensure no water builds up in the pump and causes it to rust and lock up.
- All of the items in this kit are made of Fluorocarbon (Viton).
 - The o-rings will either be brown or black. If black, they will have a red paint spot.
 - The rubber tip for the bypass valve will have a red paint spot.
 - The inlet gasket is black.



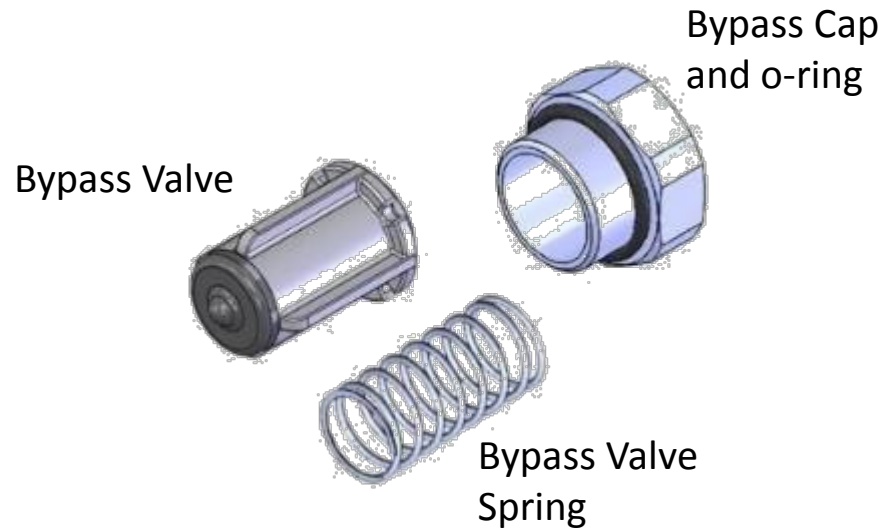
KIT120BG – Inlet Flange Kit

- For all FR1200, FR2400, FR4200, FR4400, FR600, SD1200, and SD600 Pumps.



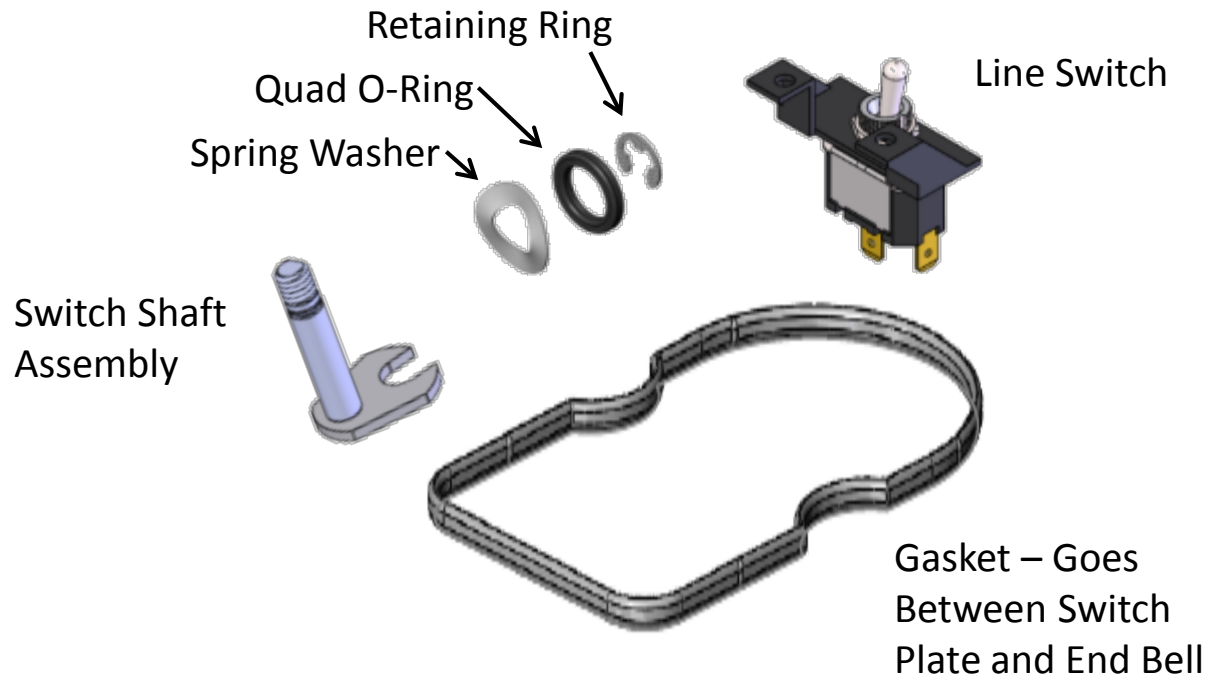
KIT120BV – Bypass Valve Kit

- For all FR1200, FR2400, FR4200, FR4400, FR600, SD1200, and SD600 Pumps.



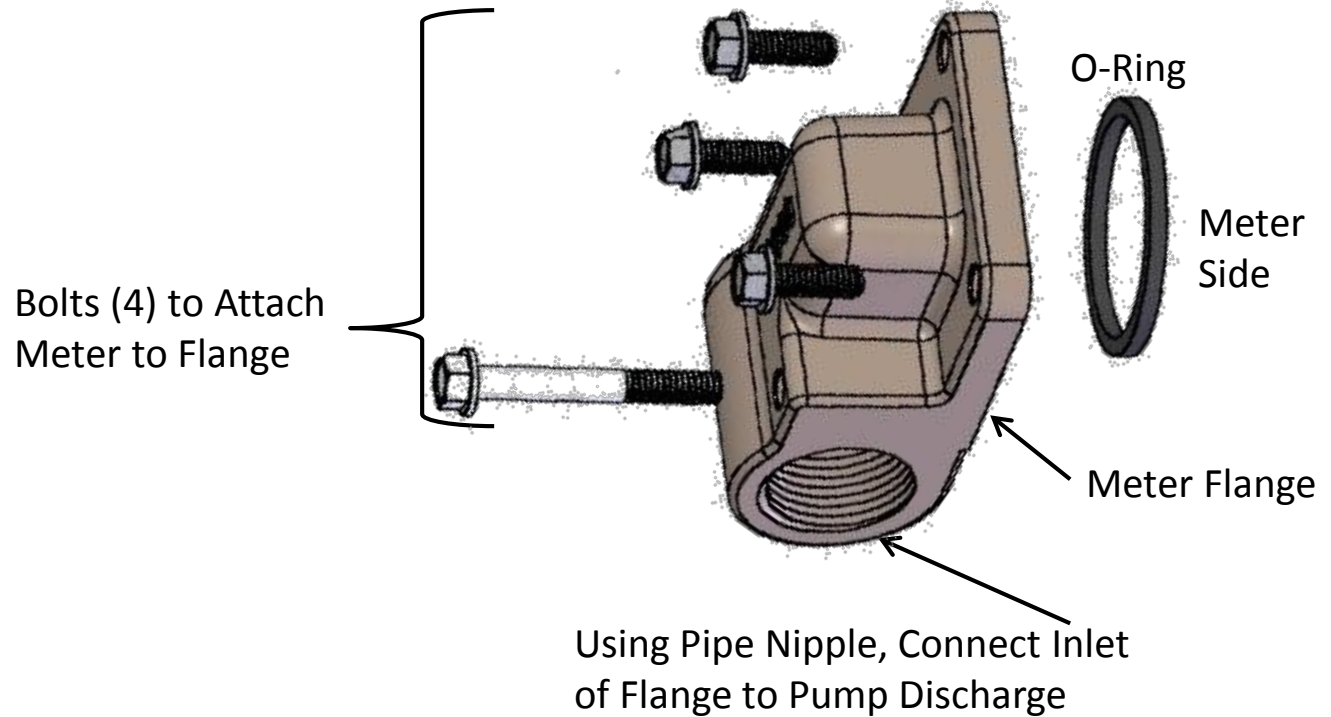
KIT120ES – Line Switch and Shaft Kit

- For all FR1200, FR2400, FR4200, FR4400, FR600, SD1200, and SD600 Pumps.



KIT120FLG – 1" Meter Flange for 4200 Pumps

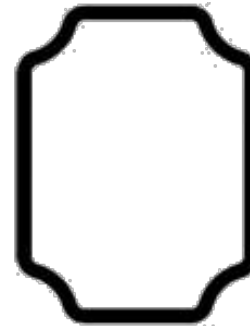
- For use with FR4200 and FR4400 Pumps.
- This is the old 305F0998 flange.



KIT120JC – Junction Box Cover Kit

- For all FR1200, FR2400, FR4200, FR4400, FR600, SD1200, and SD600 Pumps.

Junction Box Cover –
Will Have Danger Label
Applied in Kit



Junction Box Cover
Gasket



Screws (4) to Attach
Cover to Pump

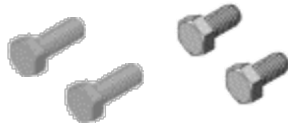
KIT120NB – Nozzle Boot Kit

- For all FR1200, FR2400, FR4200, FR4400, FR600, SD1200, SD600, FR700, FR300 and FR3200 Pumps.

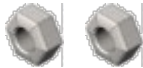


Nozzle Boot

Screws (4) to Attach Nozzle Boot to Pump

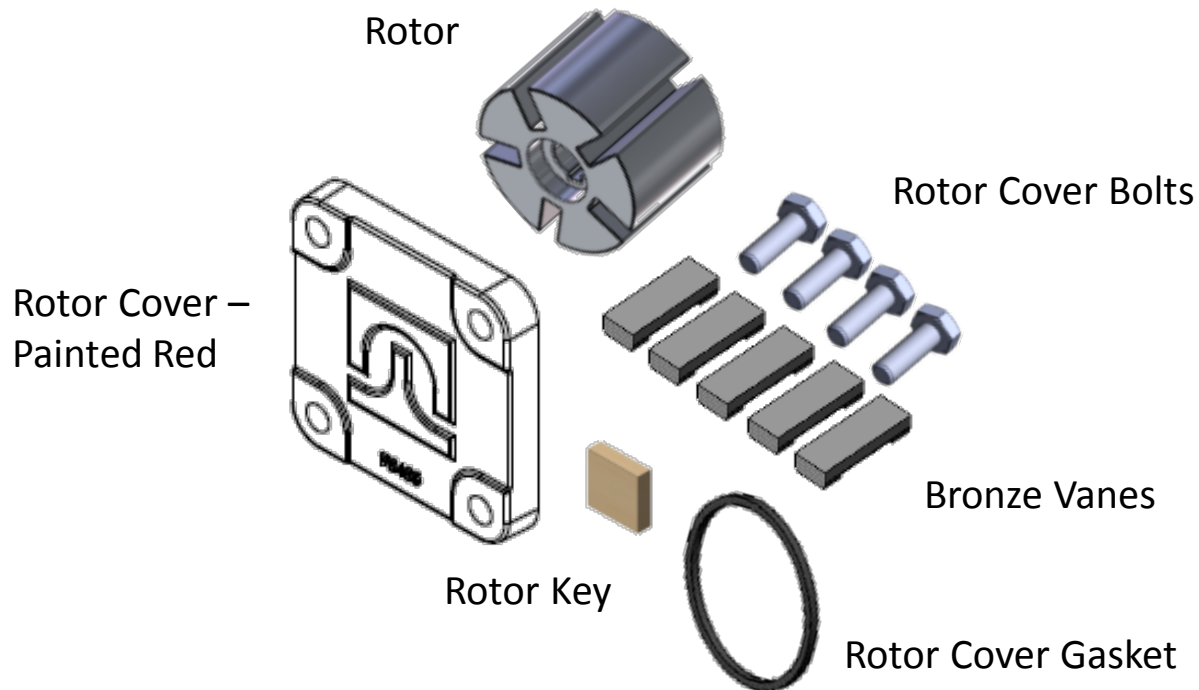


Locknuts (2)



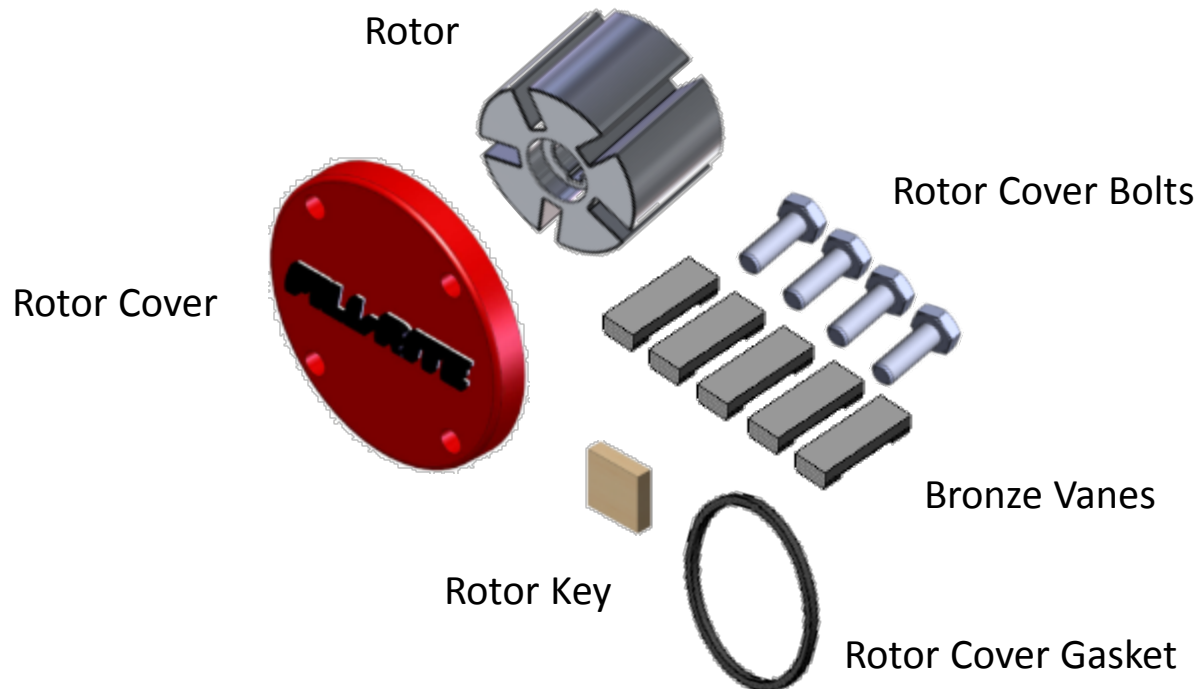
KIT120RG – Rotor Group Kit

- For all FR1200, FR2400, FR4200, FR4400, FR600, SD1200, and SD600 Pumps.
- Always replace the rotor and rotor cover to ensure they are the same hardness.



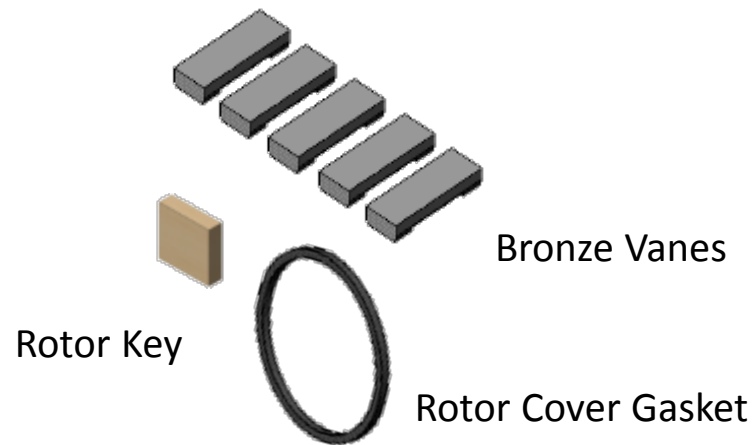
KIT120RGG – Rotor Group Kit – G Pumps

- For all FR1200G, FR2400G, FR4200G, FR4400G, FR600G, SD1200G, and SD600G Pumps.
- Always replace the rotor and rotor cover to ensure they are the same hardness.



KIT120VG – Vane Kit

- For all FR1200, FR2400, FR4200, FR4400, FR600, SD1200, and SD600 Pumps.



KIT120SG – Inlet Screen and Gasket Kit

Table of Contents

Small Pump Kits

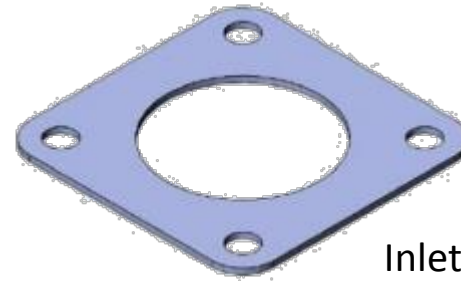
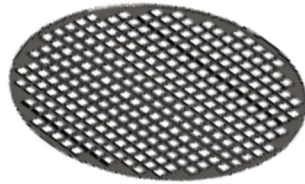
Hand Pump Kits

FR3200 Pump Kits

NX3200 Pump Kits

- For all FR1200, FR2400, FR4200, FR4400, FR600, SD1200, SD600, 3200 and 100 Series Pumps.

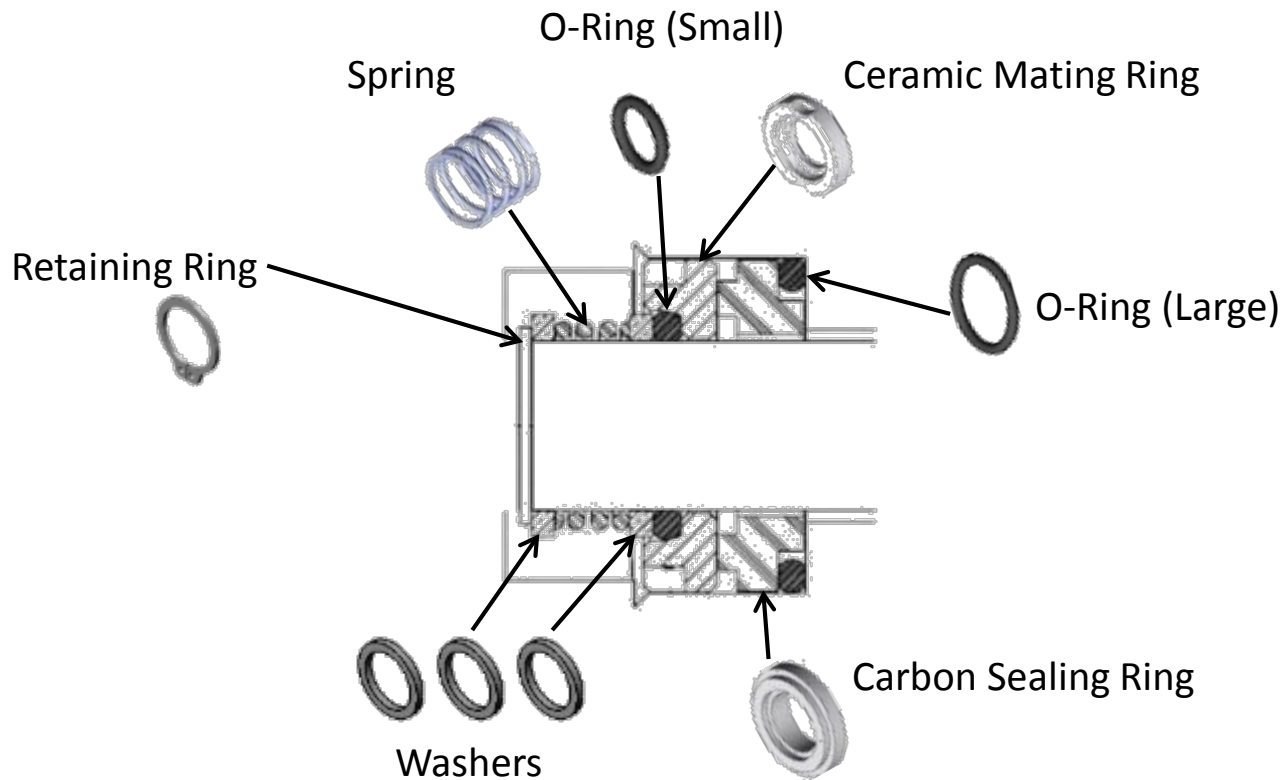
Inlet Screen



Inlet Gasket –
Material is
Cork and Buna

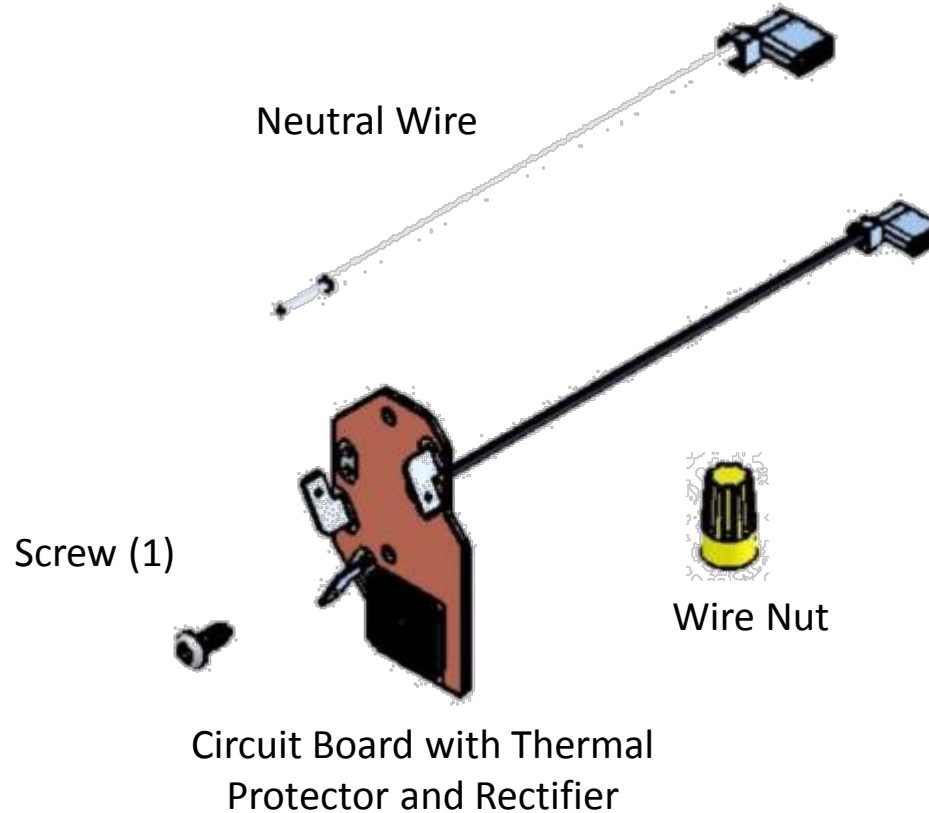
KIT120SL – Shaft Seal Kit

- For all FR1200, FR2400, FR4200, FR4400, FR600, SD1200, and SD600 Pumps.
- Depending on the age of your pump, you may need to use 1, 2 or all 3 of the washers. Instructions are included in the kit.



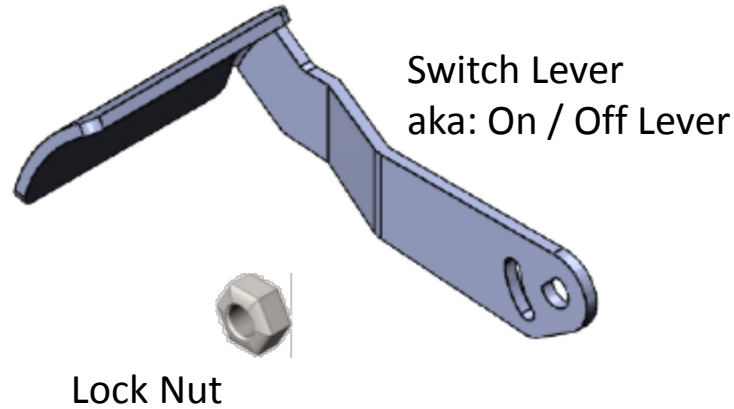
KIT120CBR – Thermal Protector / Rectifier Kit

- For all FR600 and SD600 Pumps.



KIT120SW – Switch Lever Kit

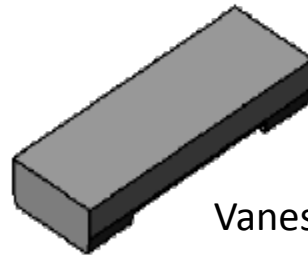
- For all FR1200, FR2400, FR4200, FR4400, FR600, SD1200, and SD600 Pumps.



KIT120VP – Bulk Vane Kit

- For all FR1200, FR2400, FR4200, FR4400, FR600, SD1200, and SD600 Pumps.

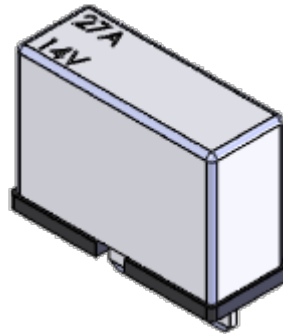
Rotor Key – 10 Pieces



Vanes – 50 Pieces

KIT120TPP – Bulk Thermal Protector Kit

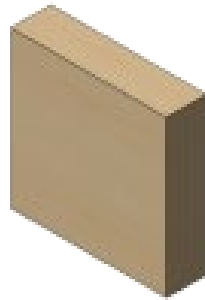
- For all FR1200, FR4200, and SD1200 Pumps.



Thermal Protector – 10 Pieces

KIT120RKP – Bulk Rotor Key Kit

- For all FR1200, FR2400, FR4200, FR4400, FR600, SD1200, SD600, and 3200 Pumps.



Rotor Key – 15 Pieces

KIT120RHP – Bulk Brush and Holder Kit

- For all FR1200, FR2400, FR4200, FR4400, and SD1200.

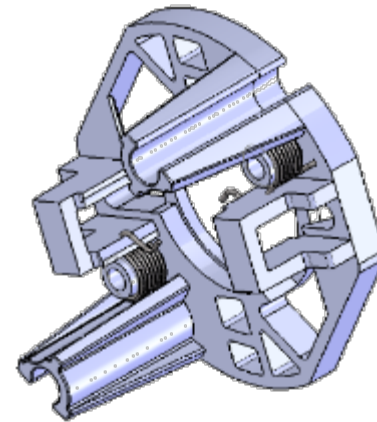
Negative Brush– 5 Pieces



Positive Brush – 5 Pieces



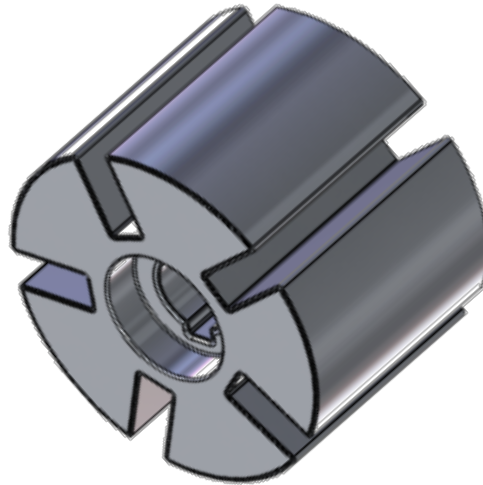
Brush Holder Screws – 5 Sets



Brush Holder – 5 Pieces

KIT120RGP – Bulk Rotor Kit

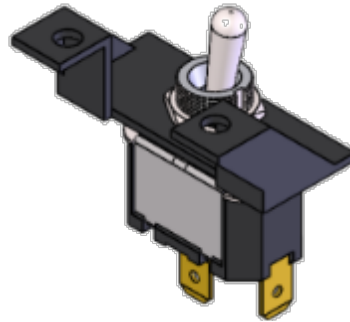
- For all FR1200, FR2400, FR4200, FR4400, FR600, SD1200, and SD600 Pumps.



Rotor – 5 Pieces

KIT120ESP – Bulk Line Switch Kit

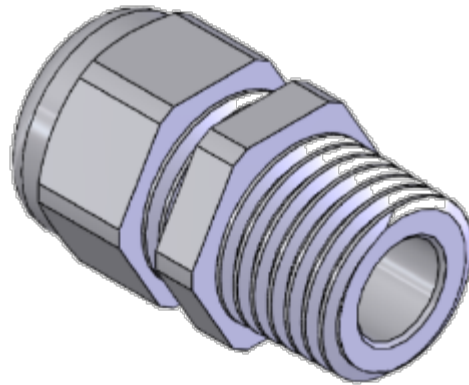
- For all FR1200, FR2400, FR4200, FR4400, SD1200, SD600, and FR700 Series Pumps.
- This is a single pole, single throw switch.



Line Switch – 10 Pieces

KIT120CCP – Bulk Cable Connector Kit

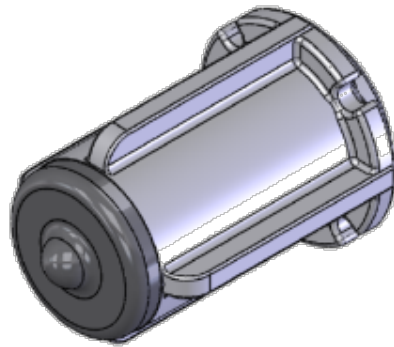
- For all FR1200, FR2400, FR4200, FR4400, and SD1200 Pumps.



Cable Connector – 15 Pieces

KIT120BPP – Bulk Bypass Valve Kit

- For all FR1200, FR2400, FR4200, FR4400, FR600, SD1200, SD600, and FR700 Series Pumps.



Bypass Valve – 10 Pieces

KIT100GBP – Bulk Inlet Gasket Kit

- For all FR100, FR1200, FR2400, FR4200, FR4400, FR600, SD1200, SD600, and 3200 Pumps.



Inlet Gasket (Cork and Buna-N) – 15 Pieces

KIT120CP – Bulk Capacitor Kit

- For all FR1200, FR2400, FR4200, and FR4400 Pumps with the “E” Option.
- “E” Option = Approvals for Europe, Australia, New Zealand, and Brazil.

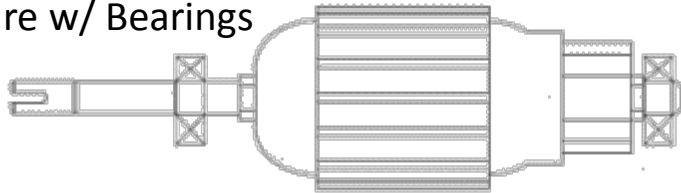


Capacitor - 10 Pieces

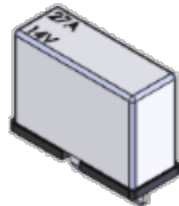
KIT120ARM – FR1200 / SD1200 Motor Kit

- For FR1200 and SD1200 Pumps.

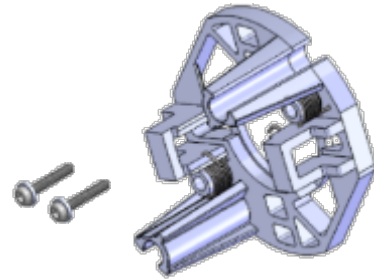
Armature w/ Bearings



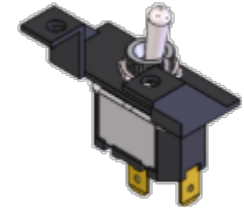
[KIT120SL](#) – Shaft Seal



Thermal Protector



Brush Holder, Brush Holder Screws (2), Positive and Negative Brush



Line Switch

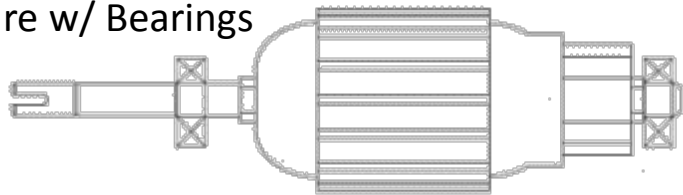


Switch Plate Gasket

KIT121ARM – FR2400 Motor Kit

- For FR2400 Pumps.

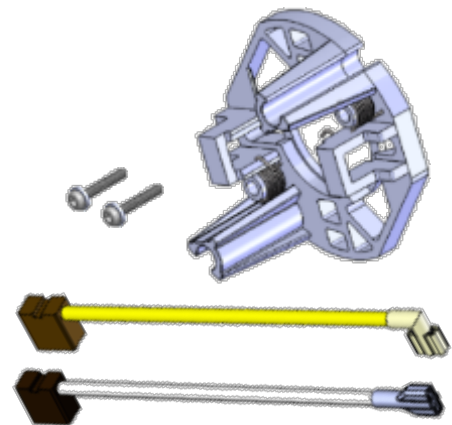
Armature w/ Bearings



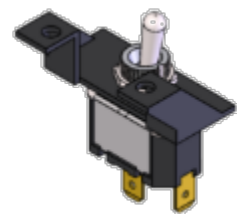
[KIT120SL](#) – Shaft Seal



Thermal Protector



Brush Holder, Brush Holder Screws (2), Positive and Negative Brush



Line Switch

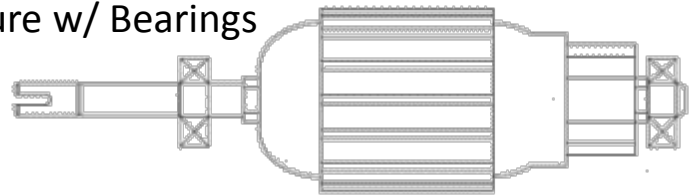


Switch Plate Gasket

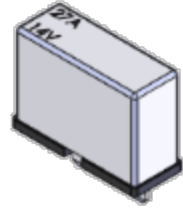
KIT122ARM – FR4200 Motor Kit

- For FR4200 Pumps.

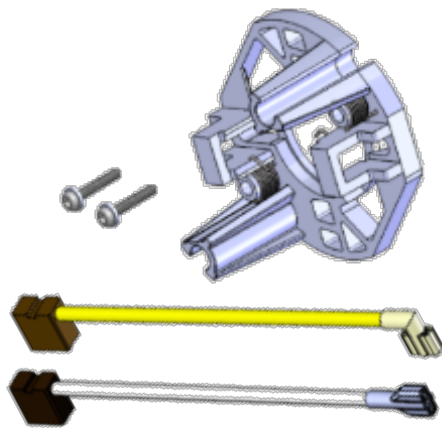
Armature w/ Bearings



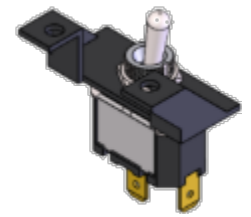
[KIT120SL](#) – Shaft Seal



Thermal Protector



Brush Holder, Brush Holder Screws (2), Positive and Negative Brush



Line Switch

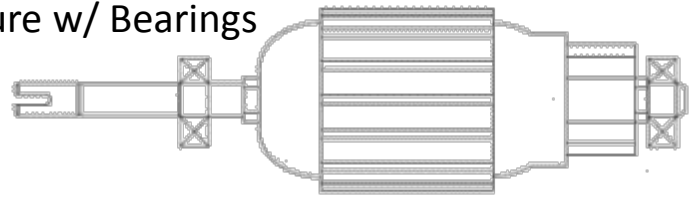


Switch Plate Gasket

KIT123ARM – FR4400 Motor Kit

- For FR4400 Pumps.

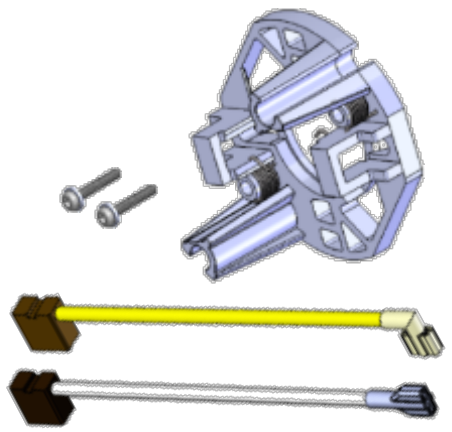
Armature w/ Bearings



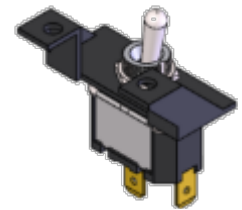
[KIT120SL](#) – Shaft Seal



Thermal Protector



Brush Holder, Brush Holder Screws (2), Positive and Negative Brush



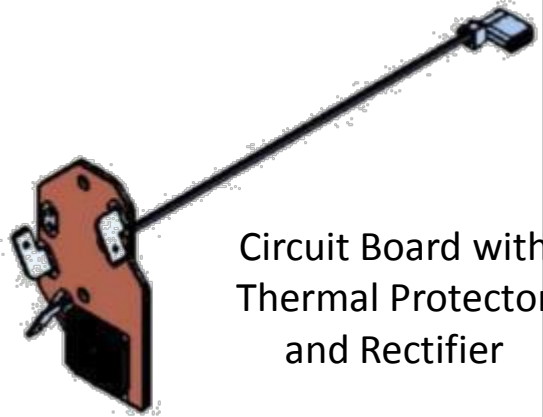
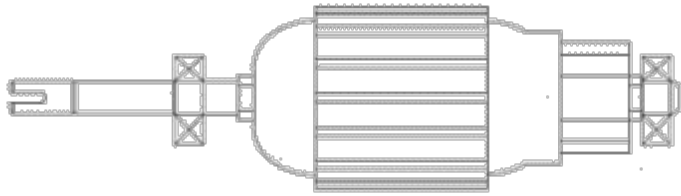
Line Switch



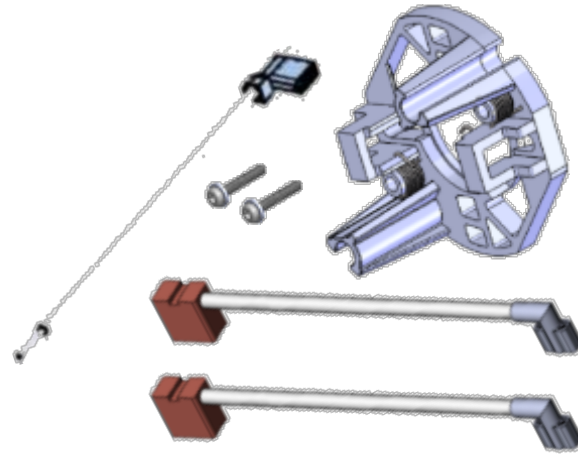
Switch Plate Gasket

KIT124ARM – FR600 / SD600 Motor Kit

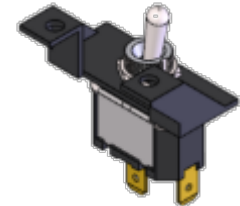
Armature w/ Bearings



Circuit Board with Thermal Protector and Rectifier



Brush Holder, Neutral Wire, Brush Holder Screws (2), Brushes (2)



Line Switch



Switch Plate Gasket



Screw and Wire Nut

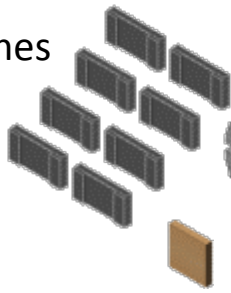
[KIT120SL](#) – Shaft Seal



700KTF2659 Rebuild Kit

- For all FR700B and FR700V series Pumps.
- Always replace the rotor, rotor cover, and rotor cover bolts to ensure they are the same hardness.

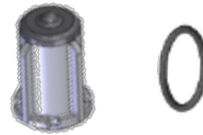
Carbon Vanes



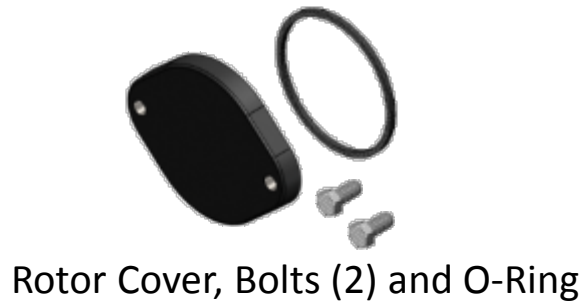
Rotor



Bypass Valve and O-Ring

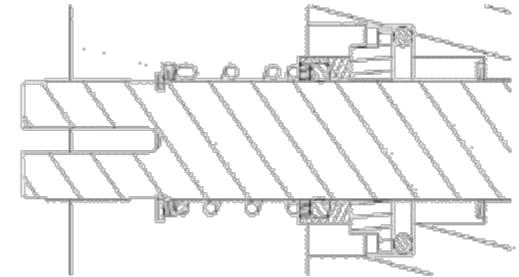


Rotor Key



Rotor Cover, Bolts (2) and O-Ring

Shaft Seal Assembly – [KIT700SL](#)



Inlet Flange Gasket



Strainer Cap Gasket



Check Valve Gasket

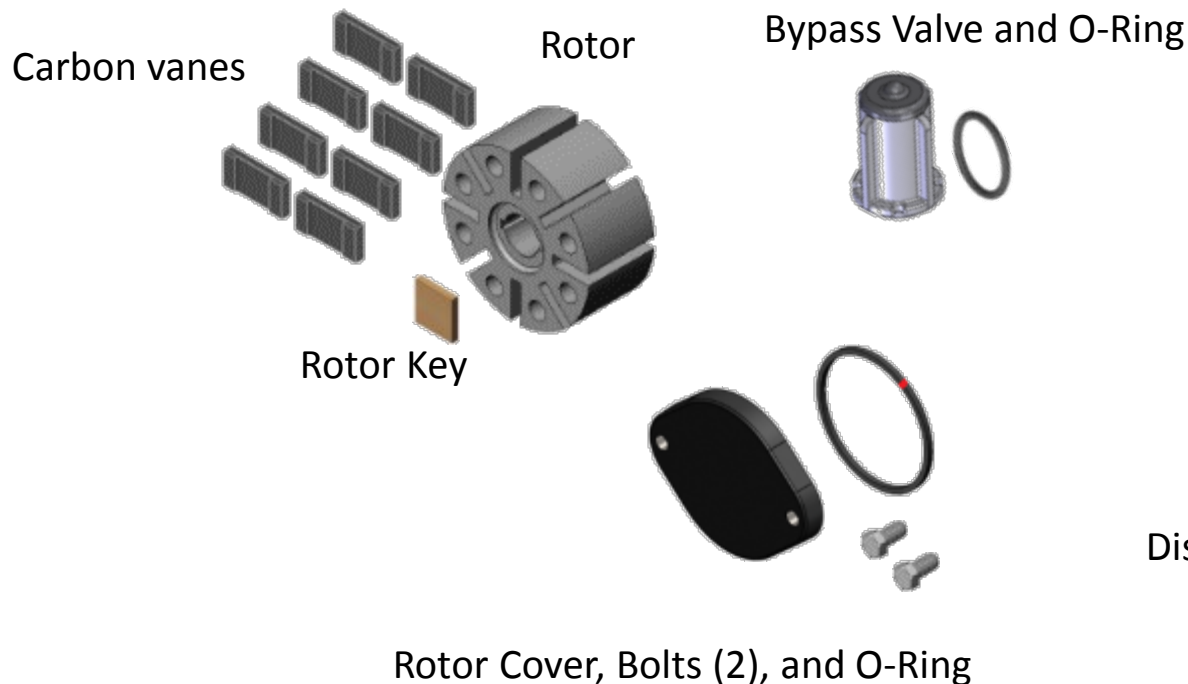


Discharge Flange / Meter Gasket

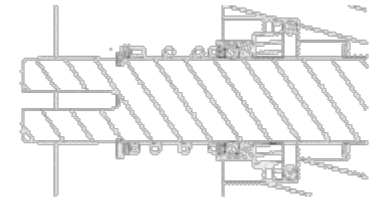


BD700KTH0711 – Bio-Diesel Rebuild Kit

- For BD700V or an FR700 series pump that has been converted using the KIT700BD Kit.
- All gaskets and bypass tip are Fluorocarbon.
- Always replace the rotor, rotor cover, and rotor cover bolts to ensure they are the same hardness.




Shaft Seal Assembly – [KIT700SL](#)



Inlet Flange Gasket



Strainer Cap Gasket

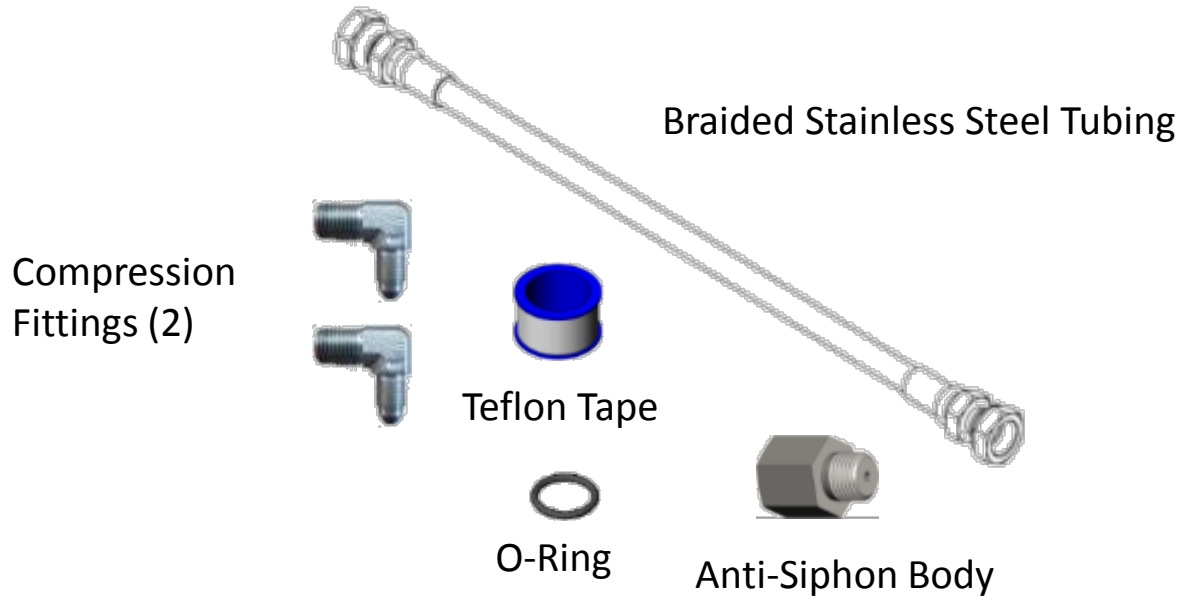


Discharge Flange Gasket



KIT700AS – Anti-Siphon Kit

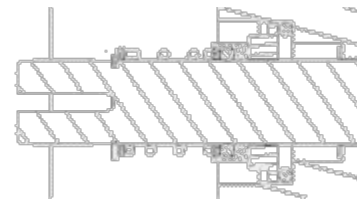
- Used with FR300 and FR700 Series Pumps.



KIT700BD – Bio-Diesel / E85 Conversion Kit

- Use to convert any FR700B or FR700V to be used with Bio-Diesel blends of B21 or greater, or E85.
- When dispensing E85, run the pump at a minimum of 3 times a week to ensure no water builds up in the pump and causes it to rust and lock up.
- All of the items in this kit are made of Fluorocarbon (Viton).
 - The o-rings will either be brown or black. If black, they will have a red paint spot.
 - The rubber tip for the bypass valve will have a red paint spot.

Shaft Seal – [KIT700SL](#)



700B Discharge Flange



Bypass Valve Tip

Strainer Cap Gasket



Rotor Cover Gasket



Bypass Cap Gasket



Discharge Flange Gasket

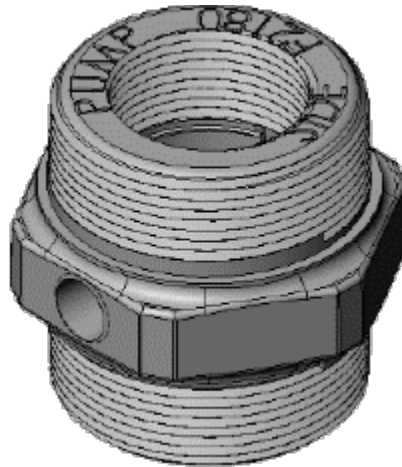


Inlet Flange Gasket



KIT700BG – Bung Adapter Kit

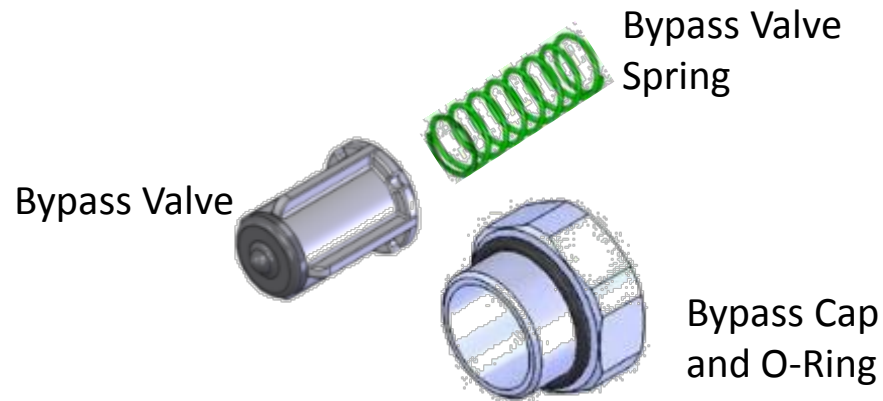
- Used with FR700 and FR300 Series Pumps.
- 2" NPT Threads for Pump and Tank.
- 1¼" NPT Threads for Suction Pipe.



Bung Adapter – Painted Red

KIT700BV – Bypass Valve Kit

- Used with FR700 Series Pumps.



KIT700CV – Check Valve Kit

- Used with FR700 Series Pumps.

Check Valve
Assembly



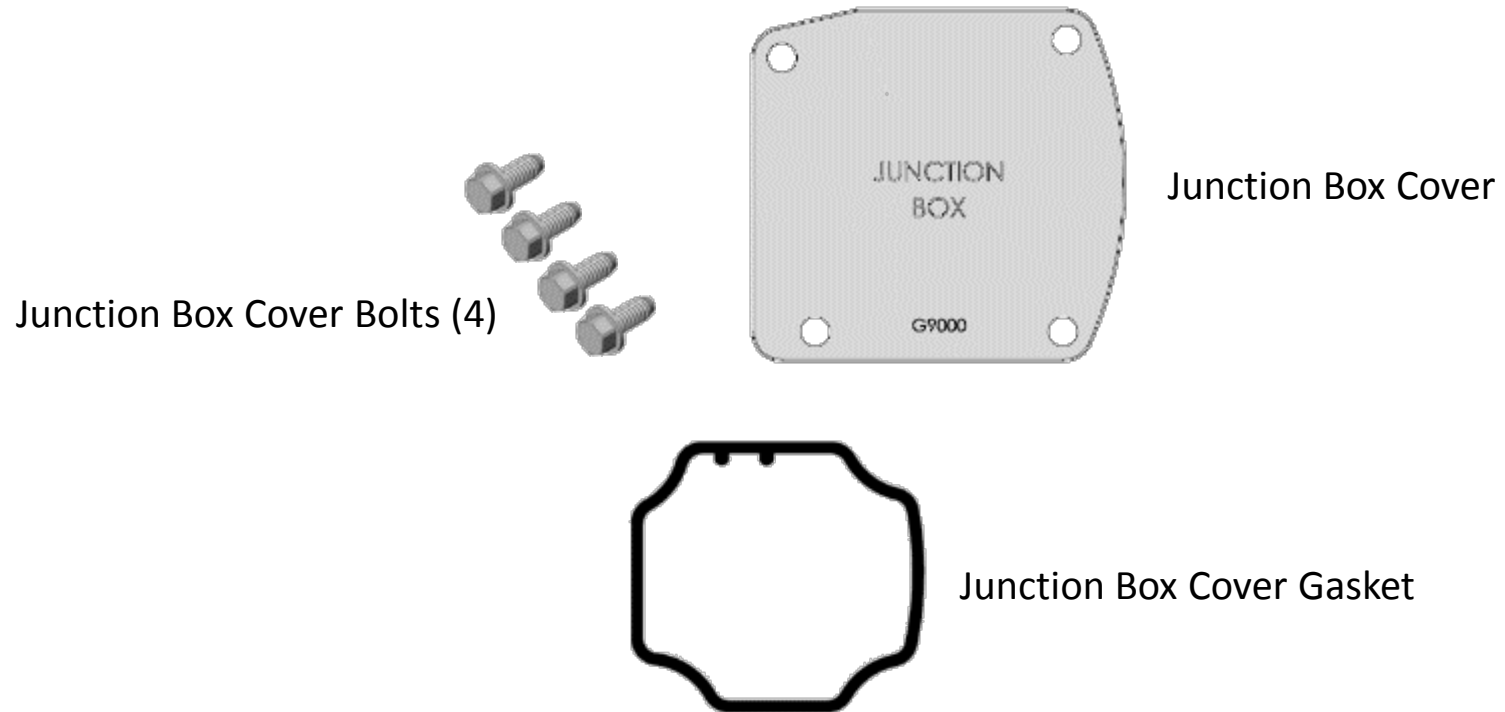
O-Ring for Base of
Check Valve



Discharge Flange
O-Ring

KIT700JC – Junction Box Cover Kit

- Used with FR700 Series Pumps.



KIT700MA – Meter Flange Kit

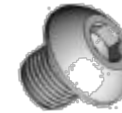
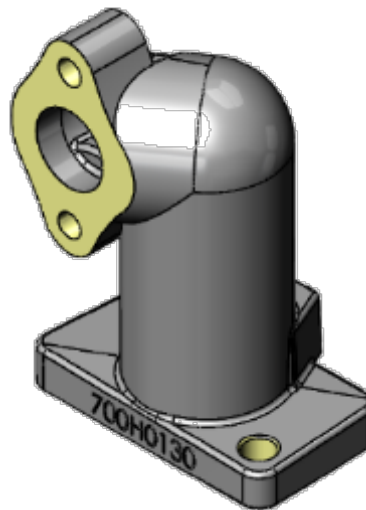
- Used with FR700V Series Pumps to mount an 800 series $\frac{3}{4}$ " meter to the pump.
- To mount a 1" 900 series meter to the 700V series pumps, use [KIT900PF](#).

Pump Discharge Flange for Meter

Bolts to Attach
Meter to Flange



Bolts to Attach
Flange to Pump



Button Head Cap Screw



O-Ring for Button
Head Cap Screw



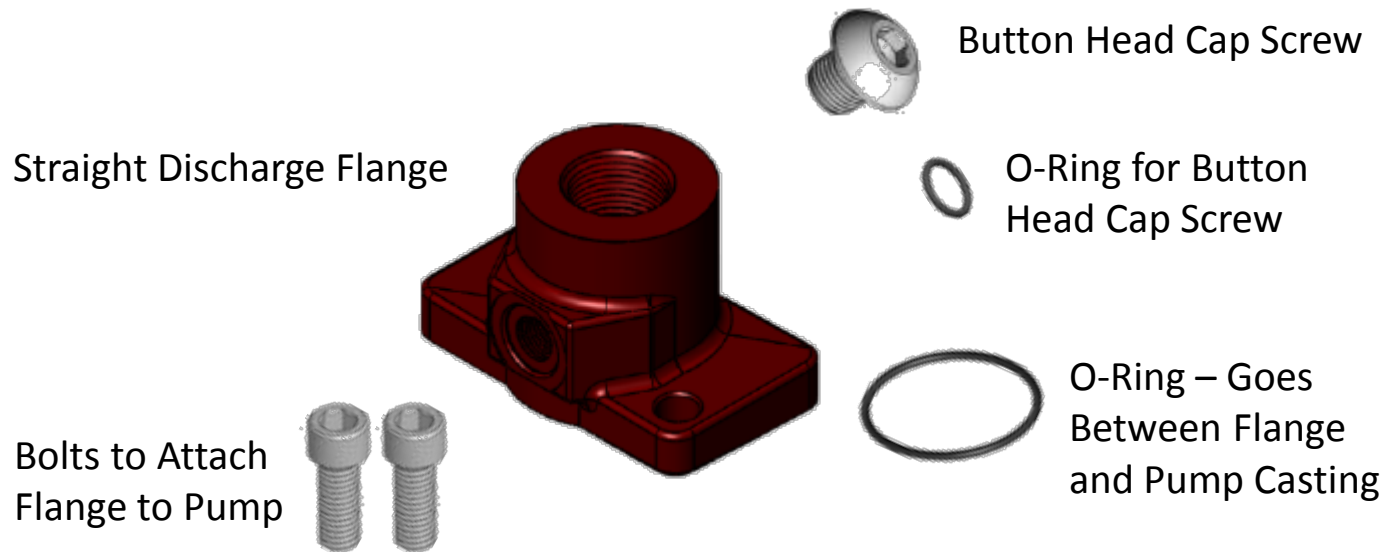
O-Ring – Goes
Between Flange
and Pump Casting



O-Ring – Goes
Between Flange
and Meter

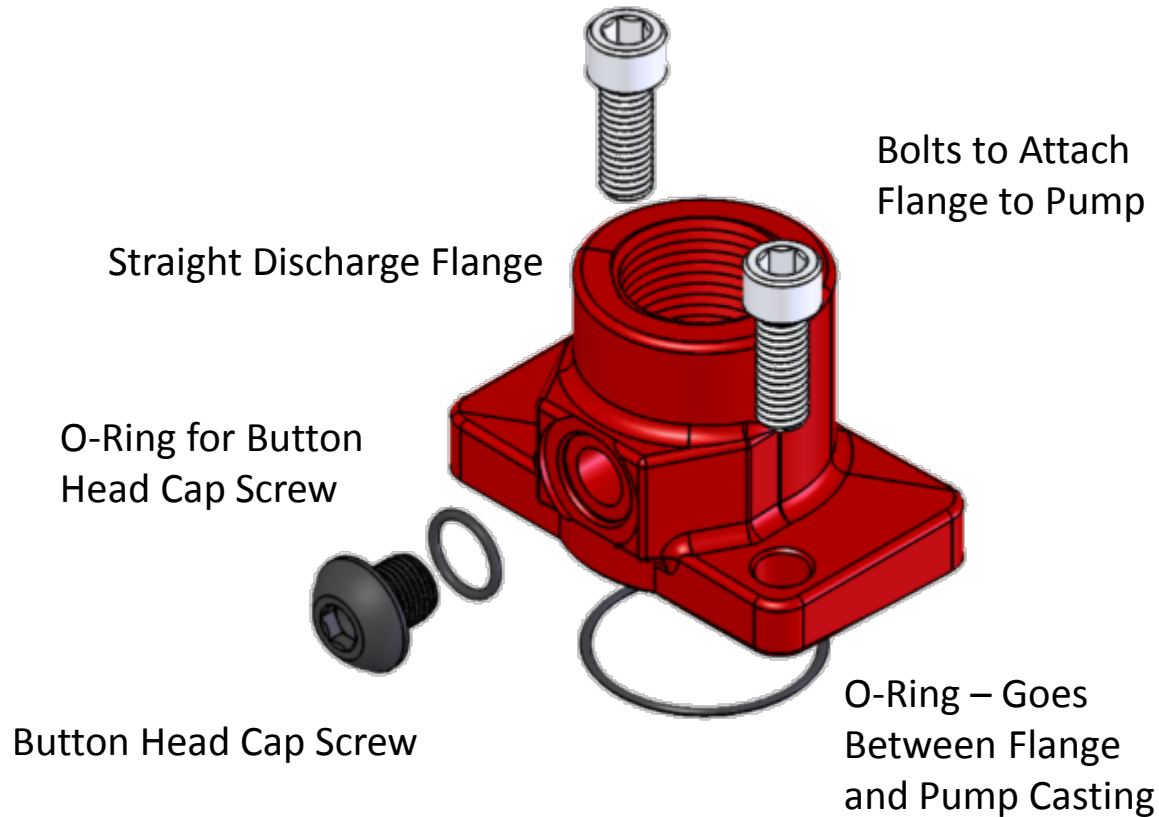
KIT700OT – Straight $\frac{3}{4}$ " Outlet Flange Kit

- Used with FR700V Series Pumps.



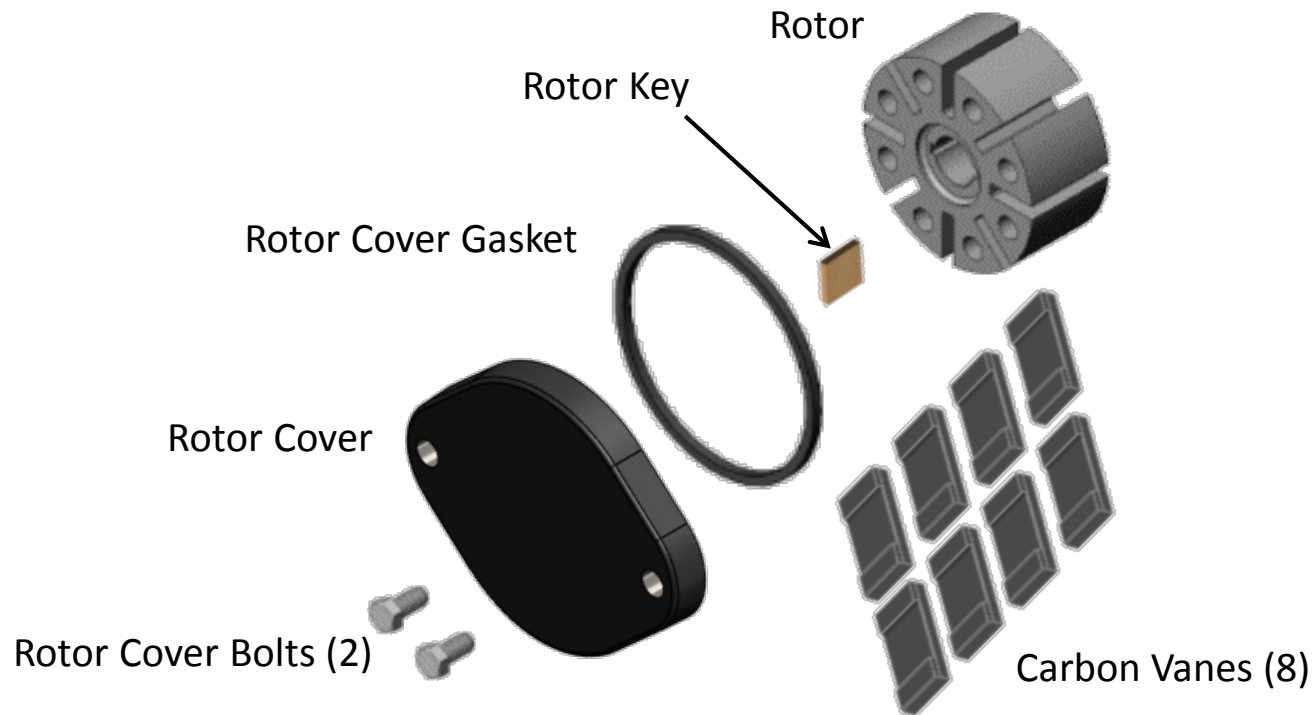
KIT700OT1 – Straight 1" Outlet Flange Kit

- Used with FR700V and FR710V Series Pumps.



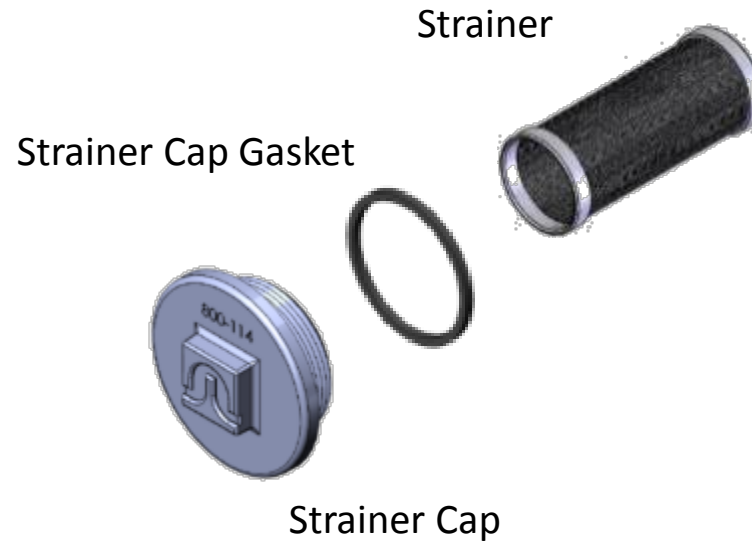
KIT700RG – Rotor Group Kit

- For all FR700B and FR700V series Pumps.
- Always replace the rotor, rotor cover, and rotor cover bolt to ensure they are the same hardness.



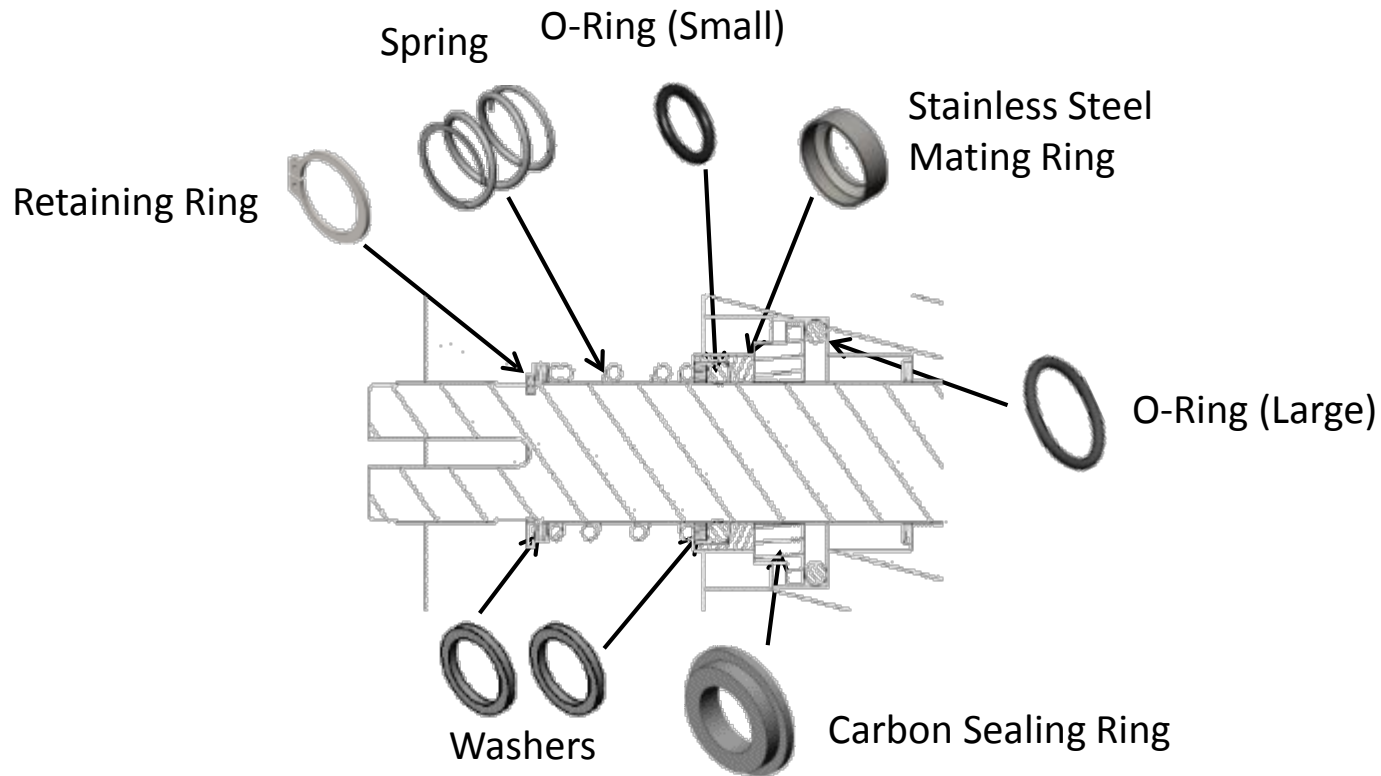
KIT700SG – Screen and Gasket Kit

- For all FR700B and FR700V series Pumps.



KIT700SL – Shaft Seal Kit

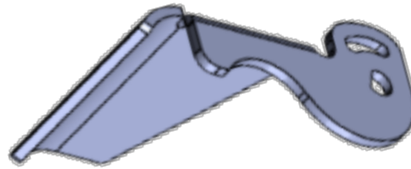
- Use in all FR300 and FR700 Series Pumps.



KIT700SW – Switch Lever Kit

- For FR700 Series Pumps.

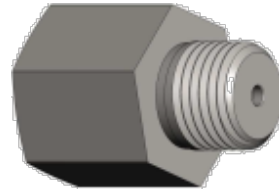
Switch Lever
aka: On / Off Lever



Lock Nut

KIT700AVBP – Bulk Anti-Siphon Body Kit

- For FR700V and FR300V Series Pumps.

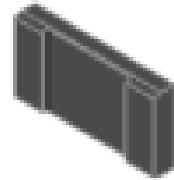


Anti-Siphon Body (10)

KIT700VP – Bulk Vane Kit

- For FR700 Series Pumps.

Carbon Vane (64)



Rotor Key (8)



KIT700RKP – Bulk Rotor Key Kit

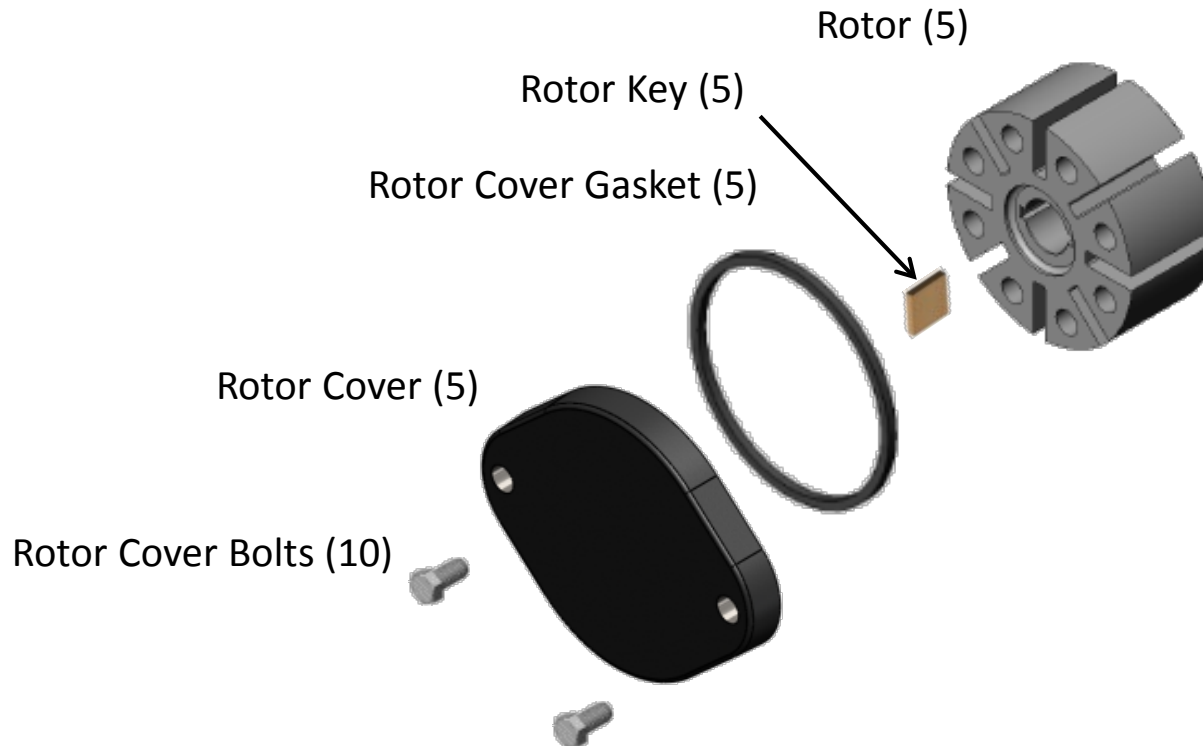
- For FR700 Series Pumps.



Rotor Key (15)

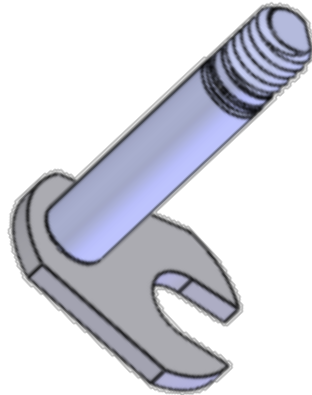
KIT700RP – Bulk Rotor Kit

- For FR700 Series Pumps.
- Always replace the rotor, rotor cover, and rotor cover bolt to ensure they are the same hardness.



KIT700SSP – Bulk Switch Shaft Kit

- Used in 1200, 2400, 4200, 4400, 600, SD1200, SD600, and 700 series pumps.



Switch Shaft (30)

KIT700FGP – Bulk Discharge Gasket Kit

- This is the 700F2801 Fluorocarbon (Viton) gasket.
- On the 700B series pumps, this was the gasket at the discharge of the pump.
- On the 700V series pumps, this is the gasket between the 800 meter and the discharge flange.
- On 1200 and 2400 series pumps with meters, this is the gasket between the 800 meter and the discharge flange.



Gasket (100)

KIT700CVP – Bulk Check Valve Kit

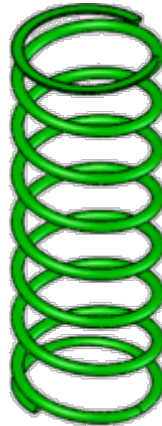
- For FR700 Series Pumps.



Check Valve Assembly with O-Ring (5)

KIT700BPSP – Bulk Bypass Spring Kit

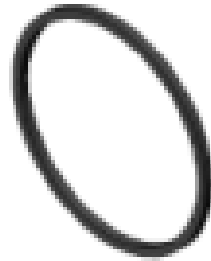
- For FR700 Series Pumps.



Bypass Spring (10)

KIT300GBP – Bulk Rotor Cover Gasket Kit

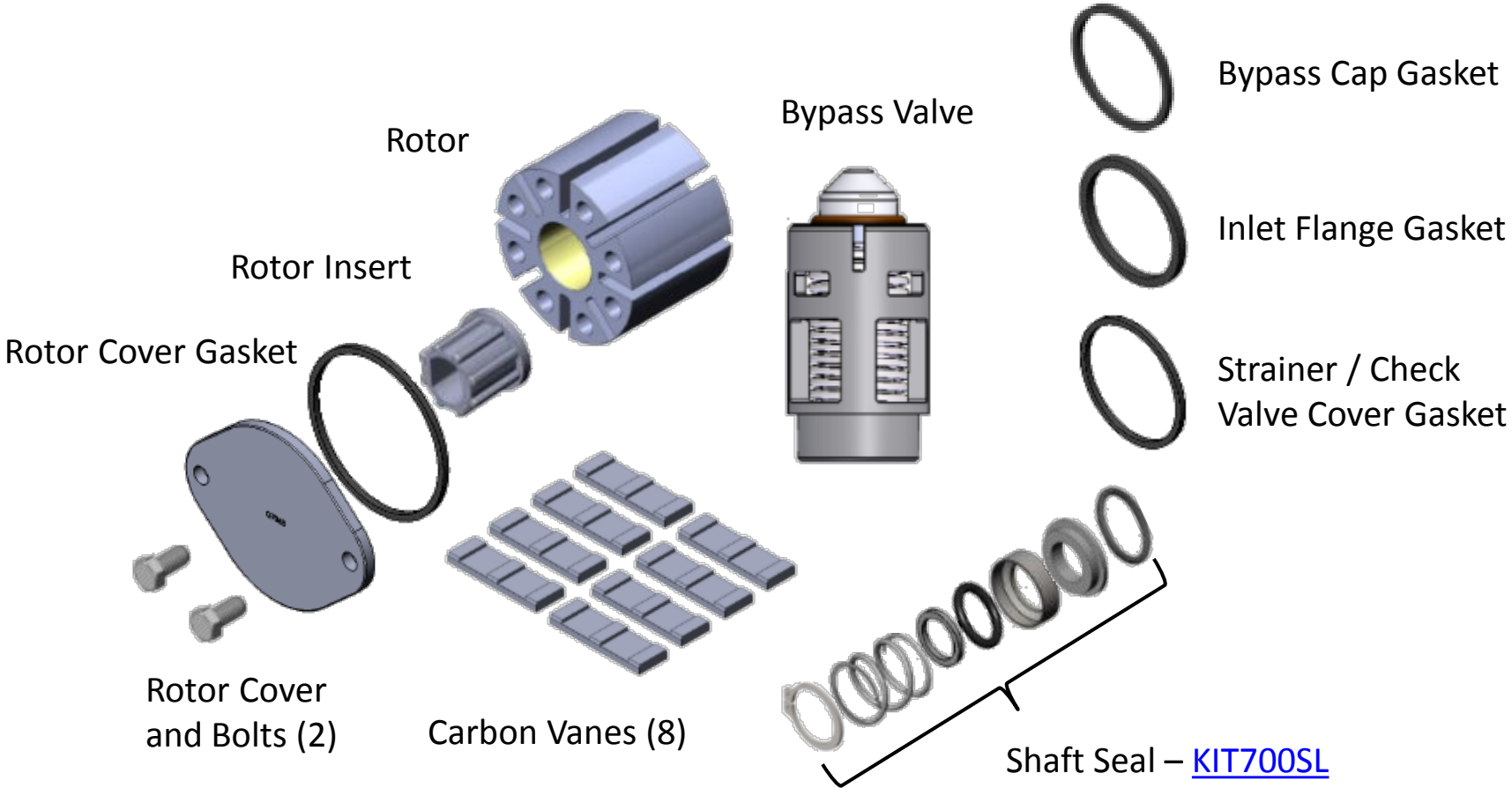
- For FR700 and FR300 Series Pumps.



Rotor Cover Gasket (15)

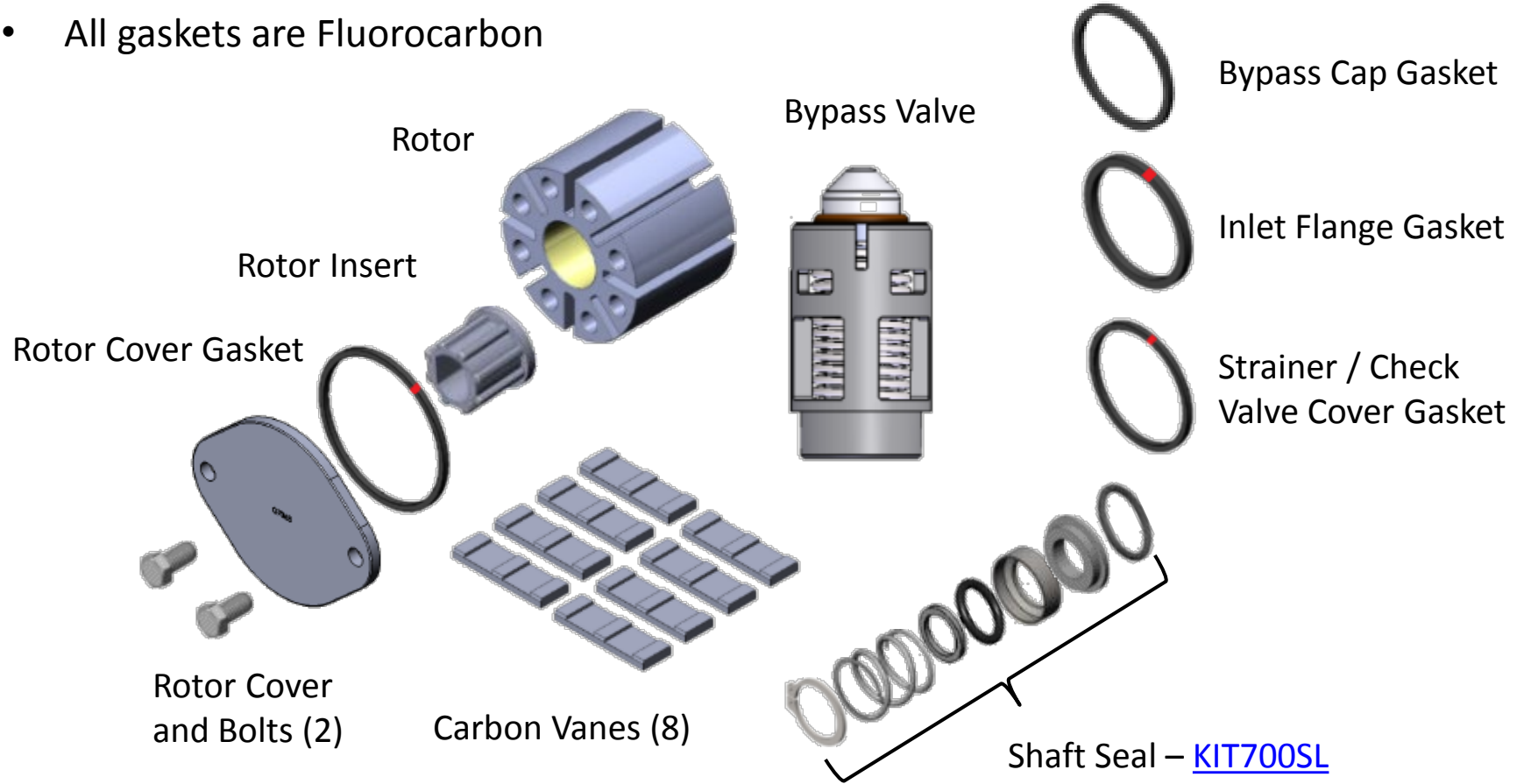
300KTF7794 – Rebuild Kit

- For FR300 Series Pumps.



BD300KTH0712 – Bio-Diesel Rebuild Kit

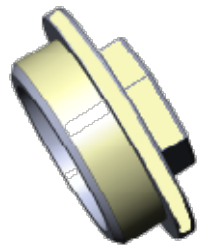
- For BD310V pump, or an FR300 series pump that has been converted using the KIT300BD Kit.
- All gaskets are Fluorocarbon



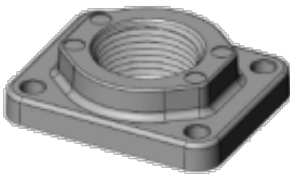
KIT300BD – Bio-Diesel / E85 Conversion Kit

- For FR300 Series Pumps.

Bypass Cap



1" Nickel Plated Meter Flange



Rotor Cover Gasket



Bypass Cap Gasket



Inlet / Meter Flange Gaskets (3)



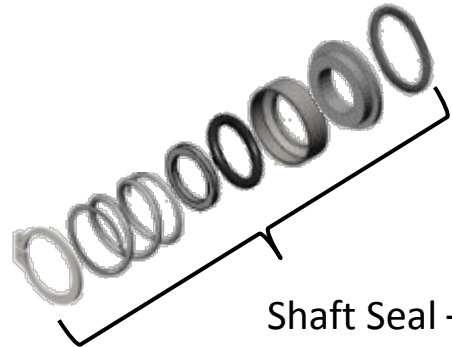
Strainer / Check Valve Cover



Meter Flange for FR300 Pumps



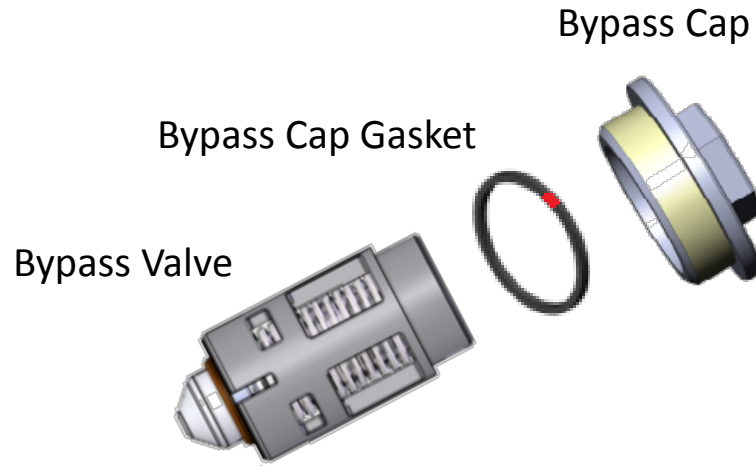
Check Valve / Strainer Cover Gasket



Shaft Seal – [KIT700SL](#)

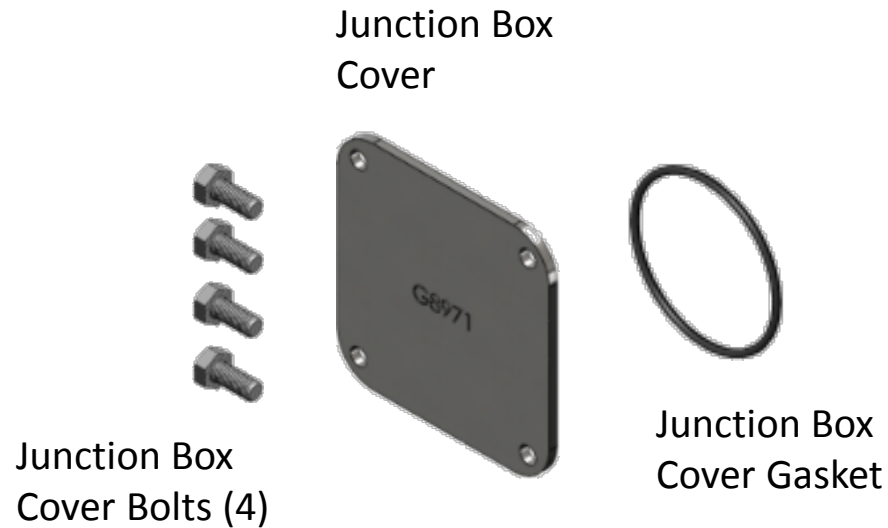
KIT300BV – Bypass Valve Kit

- For FR300 Series Pumps.



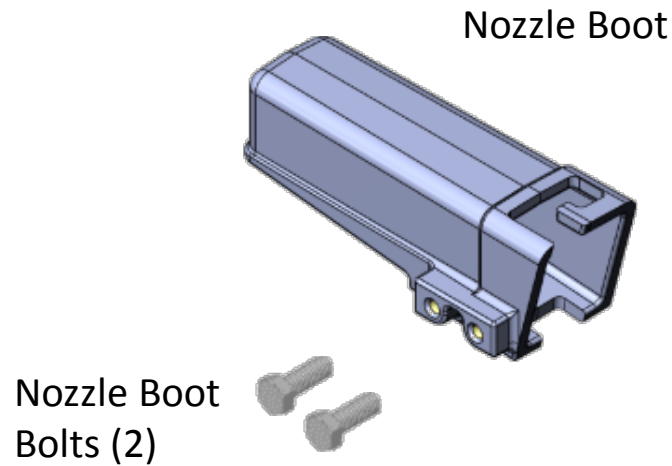
KIT300JC – Junction Box Cover Kit

- For FR300 Series Pumps.



KIT300NB – Nozzle Boot Kit

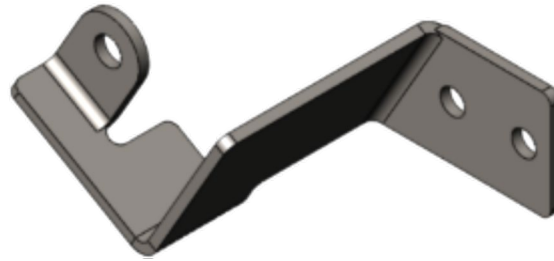
- August 11, 2014 – This kit is no longer available for purchase.
- Use [KIT120NB](#).
- ~~For FR300 Series Pumps.~~



KIT300NR – Nozzle Retainer Kit

- For FR300 Series Pumps.

Nozzle Retainer



Bolt (1)

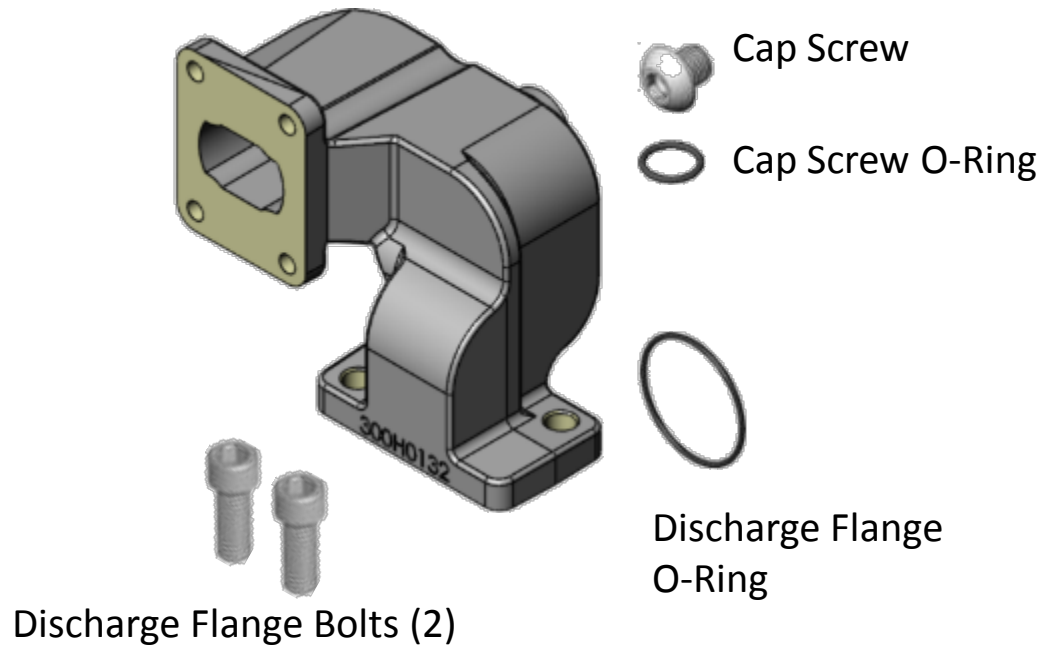


Lock Nuts (2)

KIT300MA – Meter Discharge Flange Kit

- For FR300 Series Pumps.

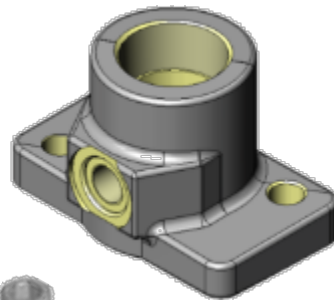
Meter Discharge Flange



KIT300OT – Straight Discharge Flange Kit

- For FR300 Series Pumps.

Discharge Flange



Discharge Flange Bolts (2)



Cap Screw



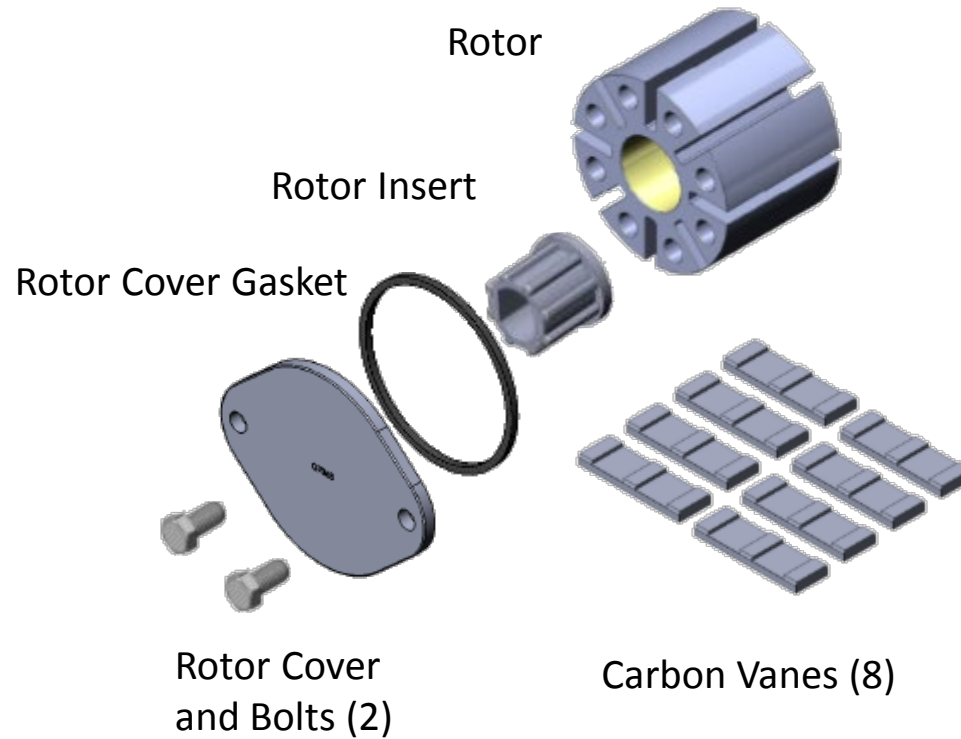
Cap Screw O-Ring



Discharge Flange
O-Ring

KIT300RG – Rotor Group Kit

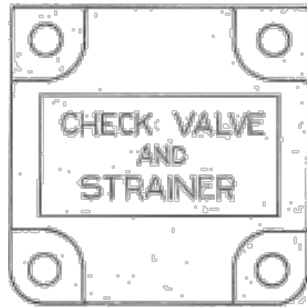
- For FR300 Series Pumps.



KIT300SG – Check Valve / Strainer Kit

- For FR300 Series Pumps.

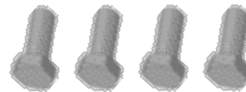
Check Valve /
Strainer Cover



Check Valve /
Strainer Assembly



Cover Gasket

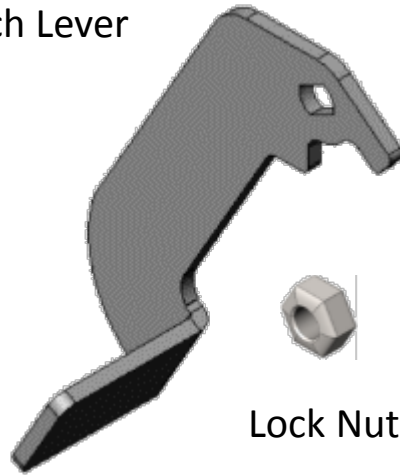


Cover Bolts (4)

KIT300SW – Switch Lever Kit

- For FR300 Series Pumps.

Switch Lever



Lock Nut

KIT300IP – Bulk Rotor Insert Kit

- For FR300 Series Pumps.

Rotor Insert (10)



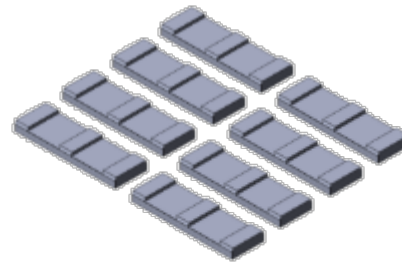
KIT300VP – Bulk Vane Kit

- For FR300 Series Pumps.

Rotor Insert (8)



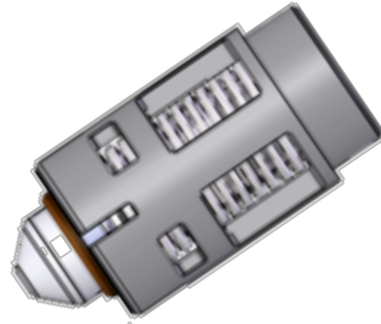
Carbon Vanes (64)



KIT300BVP – Bulk Bypass Valve Kit

- For FR300 Series Pumps.

Bypass Valve (5)



KIT300CVP – Bulk Check Valve / Strainer Kit

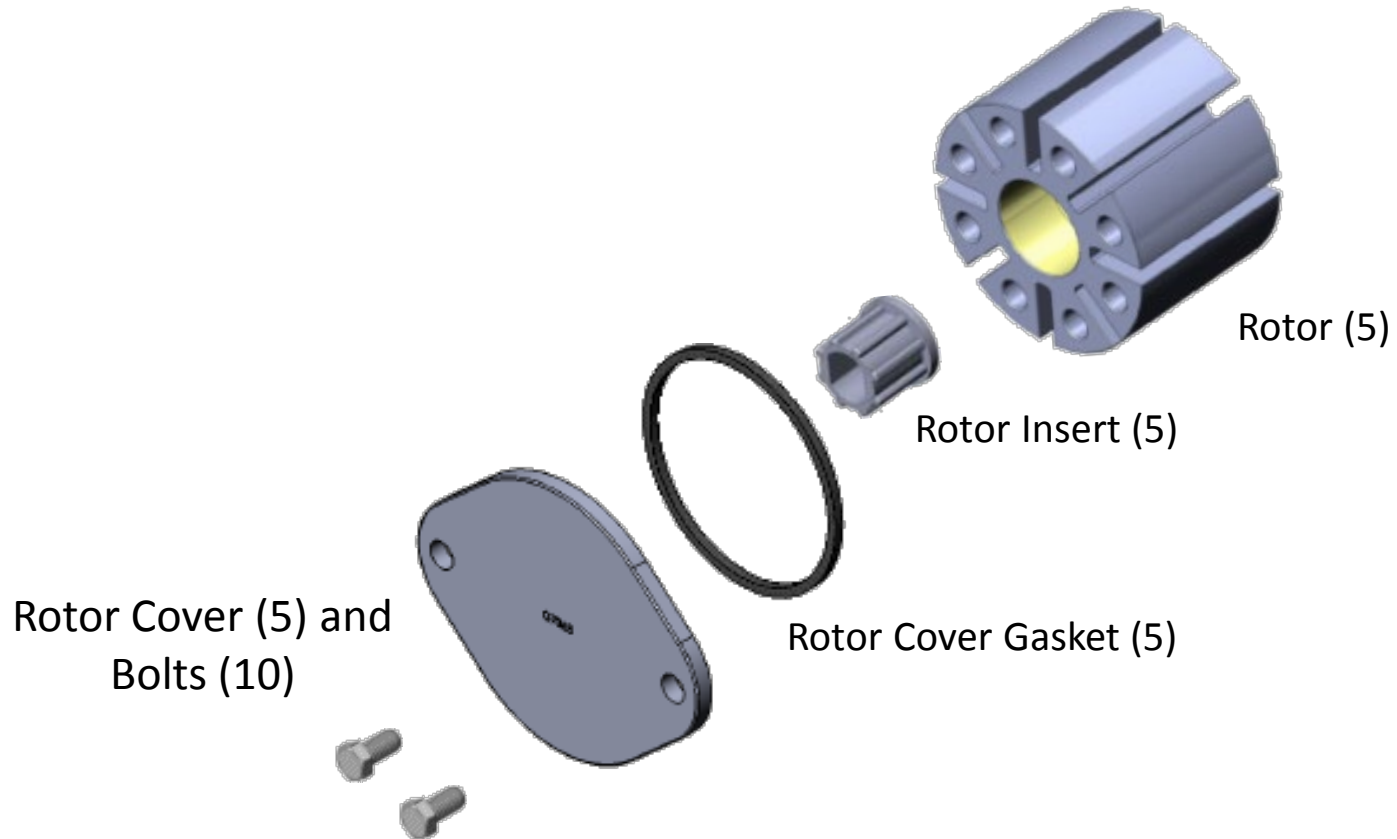
- For FR300 Series Pumps.

Check Valve / Strainer (5)



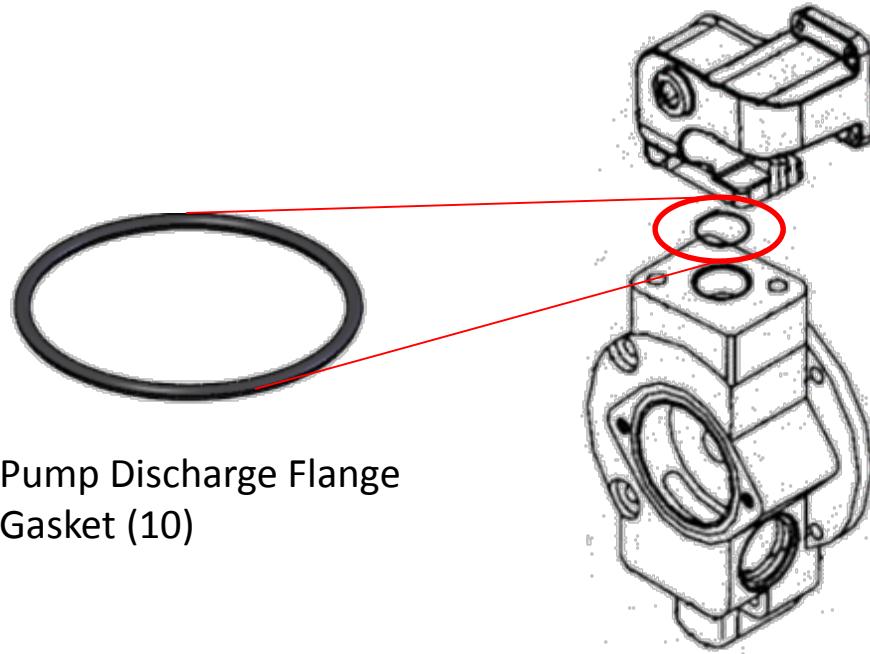
KIT300RIP – Bulk Rotor / Insert Kit

- For FR300 Series Pumps.



KIT300FGP – Pump Discharge Flange Gasket Kit

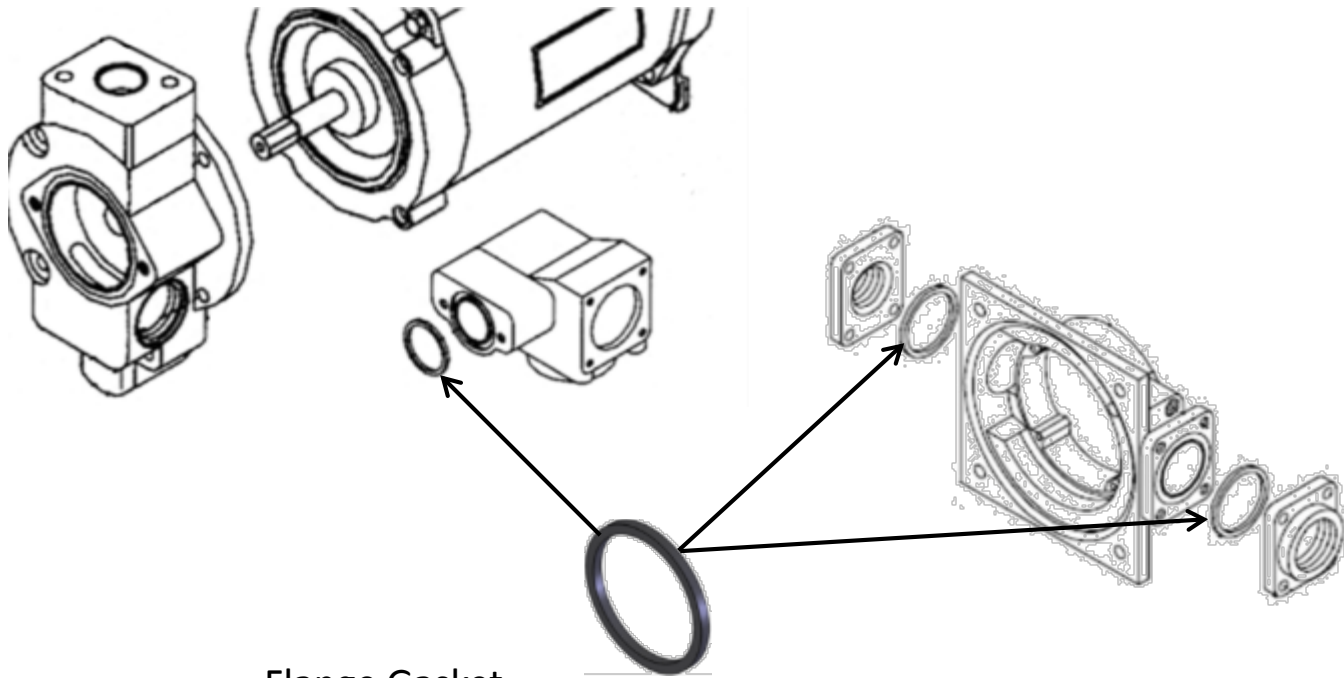
- For FR700 and FR300 Series Pumps.



Pump Discharge Flange
Gasket (10)

KIT300GSK – Gasket Kit

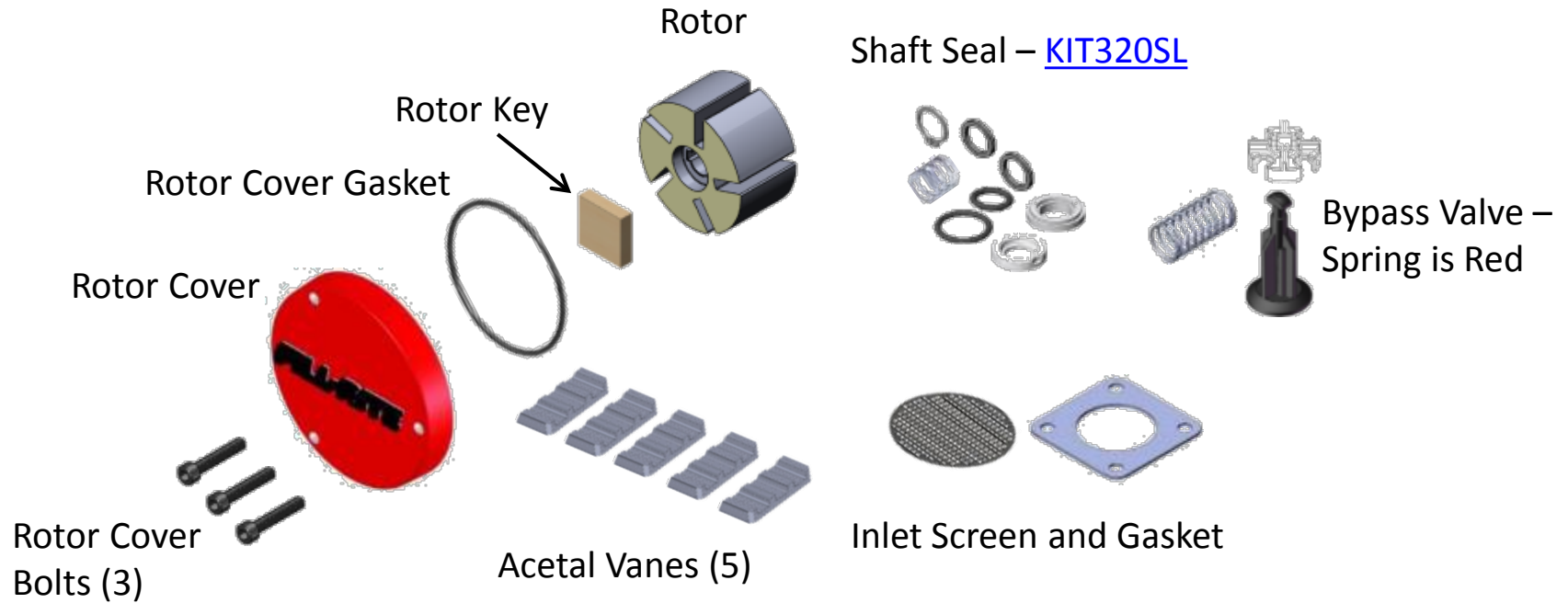
- For FR300, FR300V, 700B, and 700V Series Pumps.
- For 900 and 900D Series Meters.



Flange Gasket -
Fluorocarbon (10)

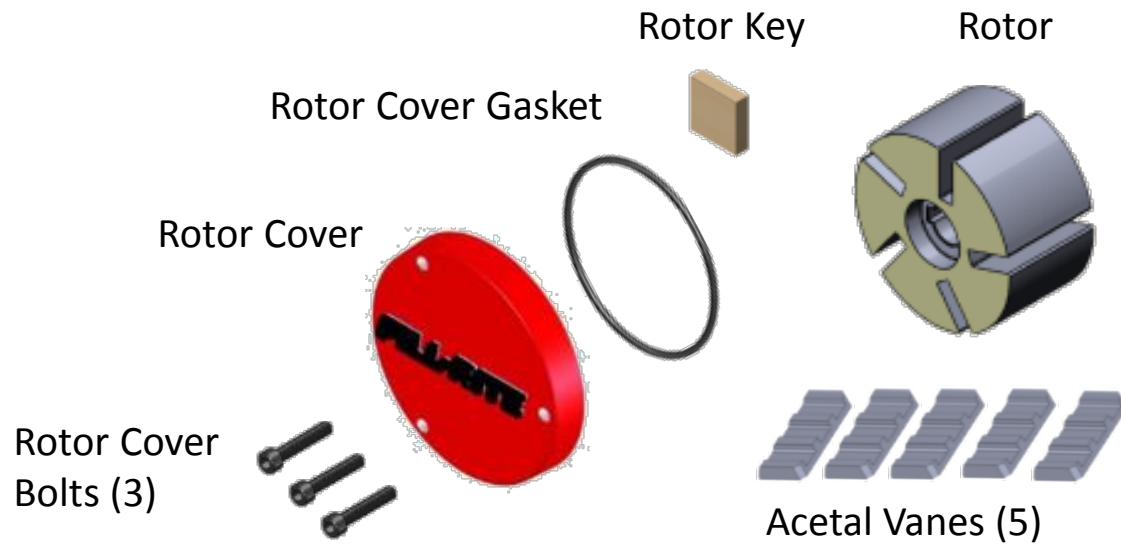
KIT320RK – Rebuild Kit

- For FR3200 Series Pumps.



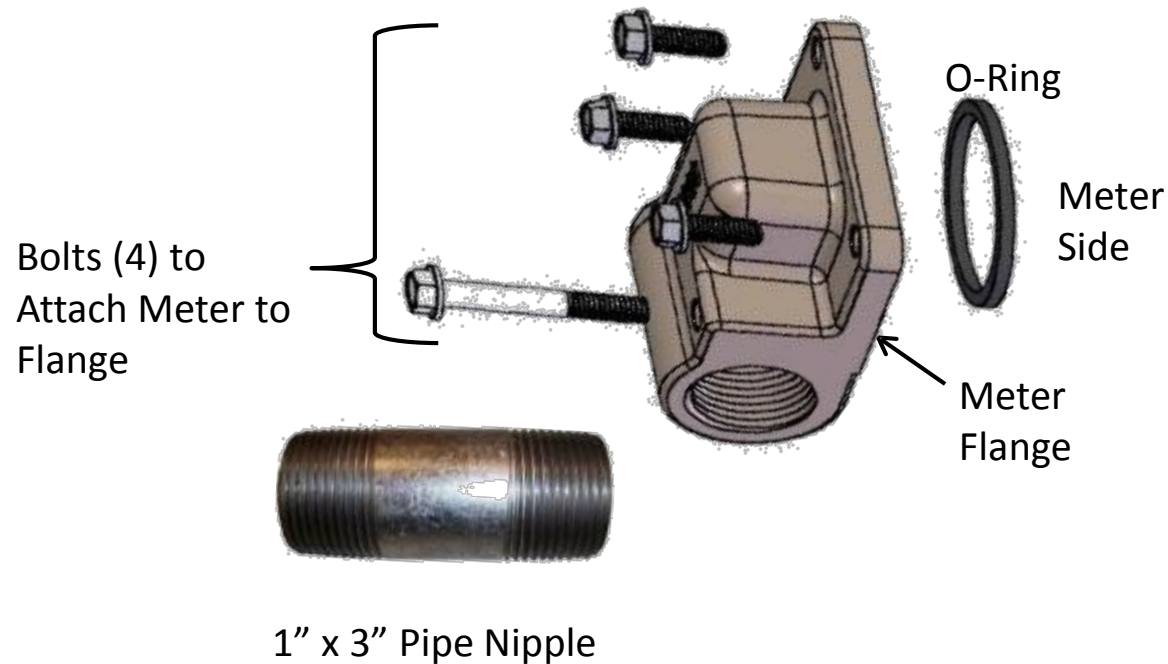
KIT320RG – Rotor Group Kit

- For FR3200 Series Pumps.



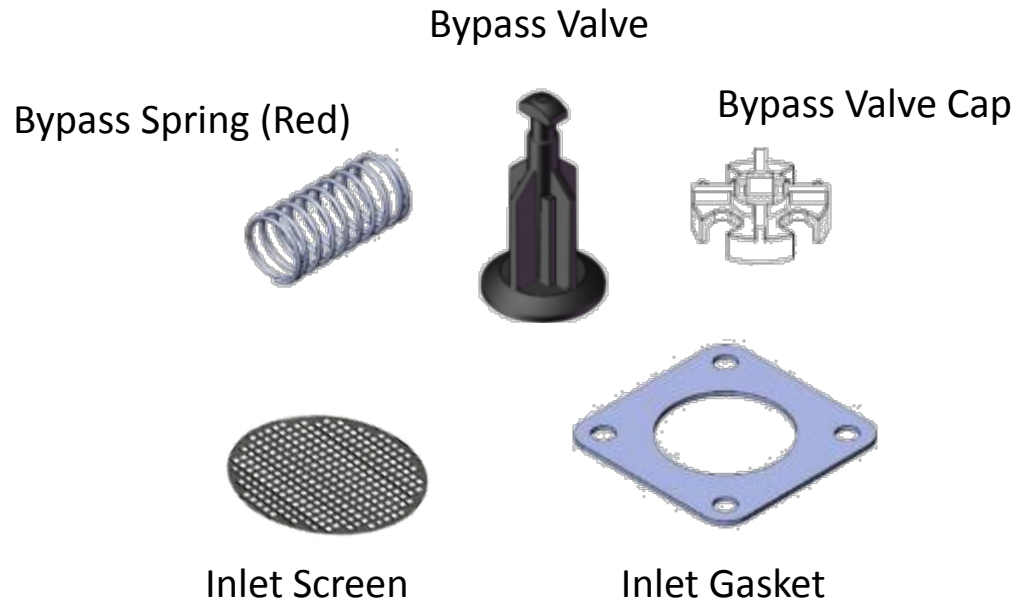
KIT320MA – Meter Flange Kit

- For FR3200 Series Pumps.
- Use to attach 900 or 900D series meters to pump.
- Flange is Nickel Plated.



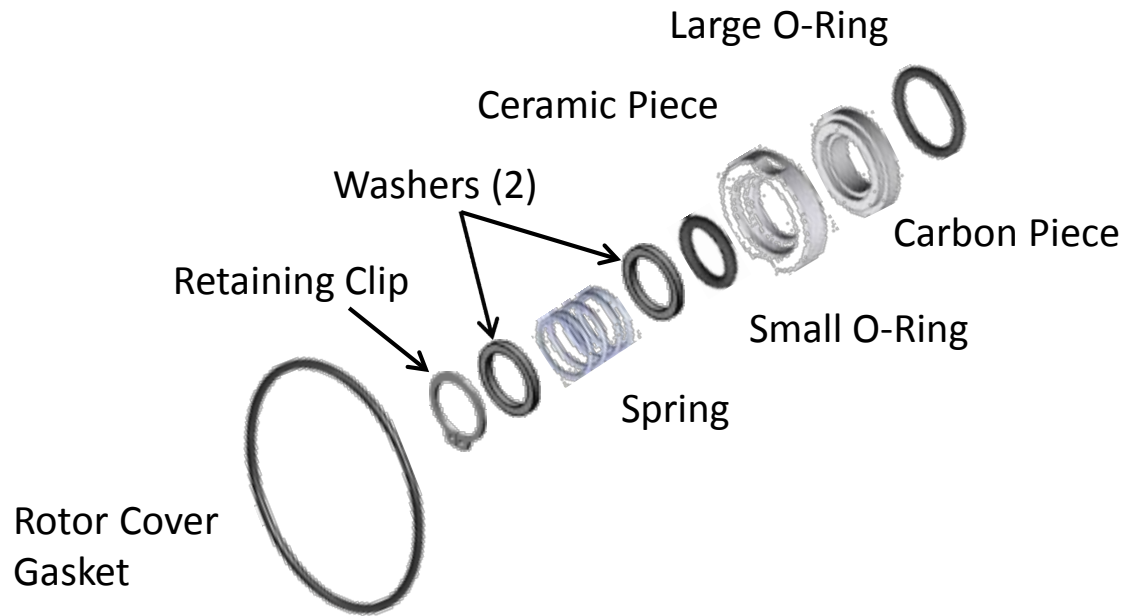
KIT320BV – Bypass Valve Kit

- For FR3200 Series Pumps.



KIT320SL – Shaft Seal Kit

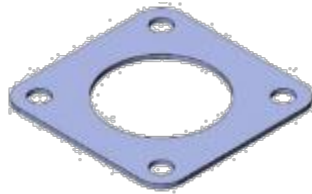
- For FR3200 Series Pumps.



KIT320SK – External Seals Kit

- For FR3200 Series Pumps.

Inlet Gasket



Switch Cover Gasket



Rotor Cover Gasket

Junction Box Cover Gasket

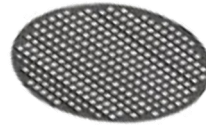
KIT320BG – Inlet Flange Kit

- For FR3200 Series Pumps.

Inlet Gasket



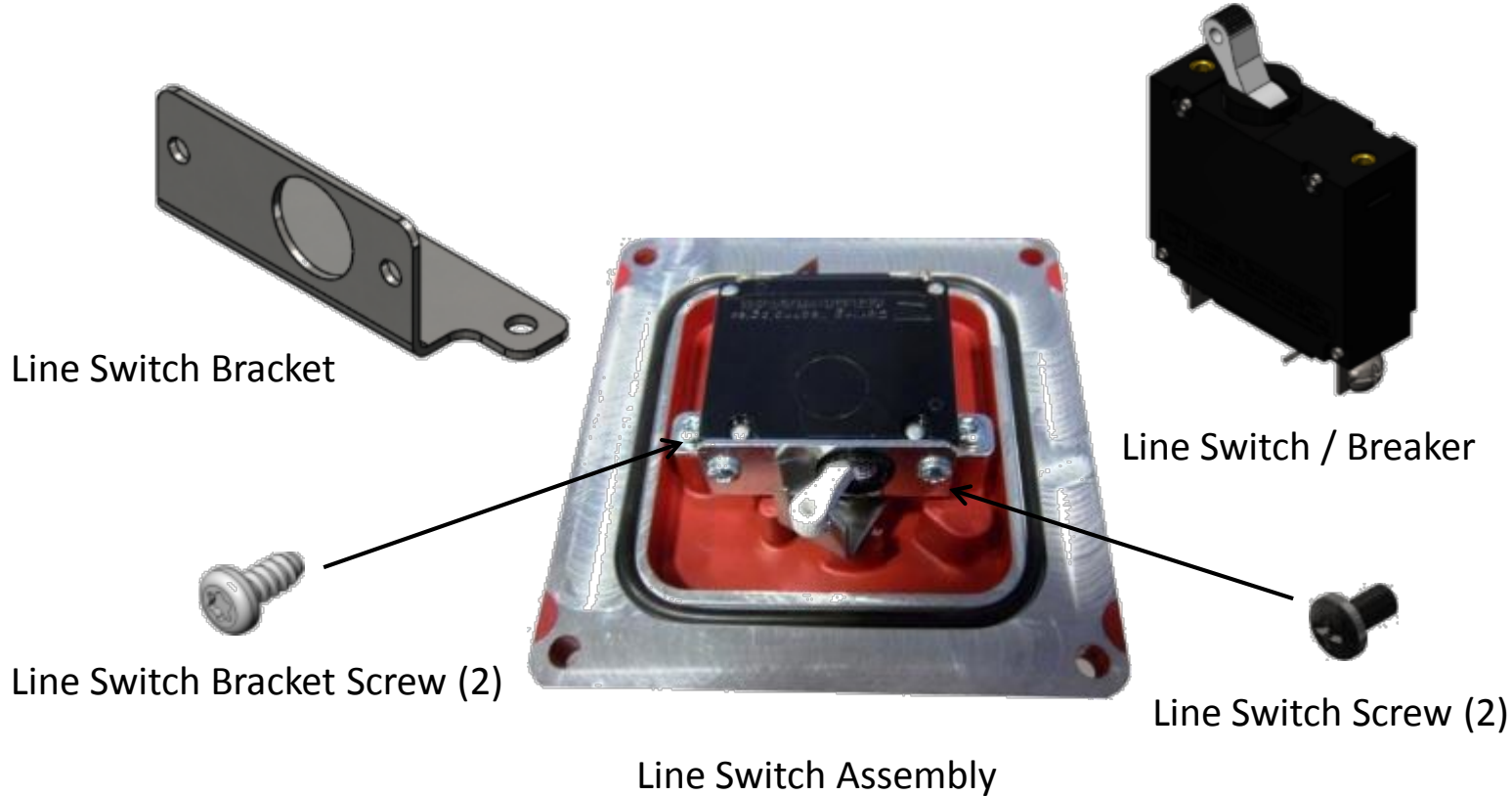
Inlet Screen



Inlet Flange Bolts (4) and Inlet Flange

KIT320SW – Line Switch / Breaker Kit

- For FR3200 Series Pumps.



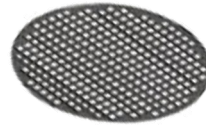
KIT321BG – NPT Inlet Flange Kit

- For NX3200 Series Pumps.
- All threads are NPT.

Inlet Gasket



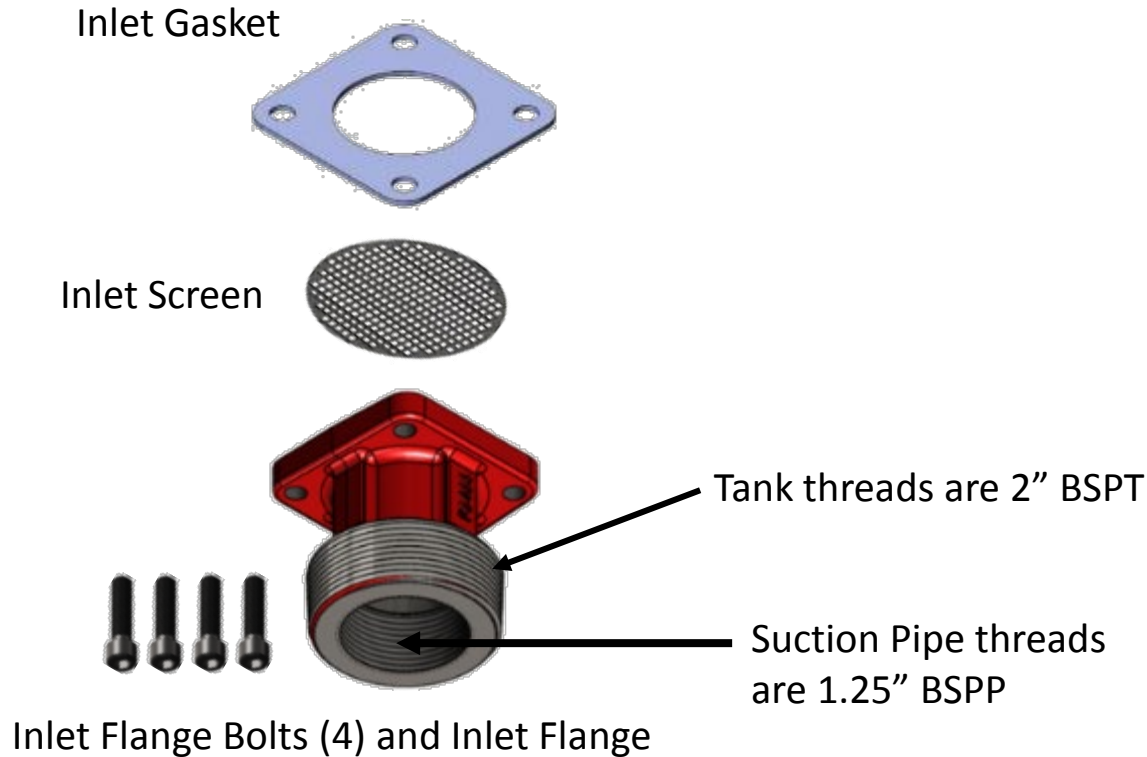
Inlet Screen



Inlet Flange Bolts (4) and Inlet Flange

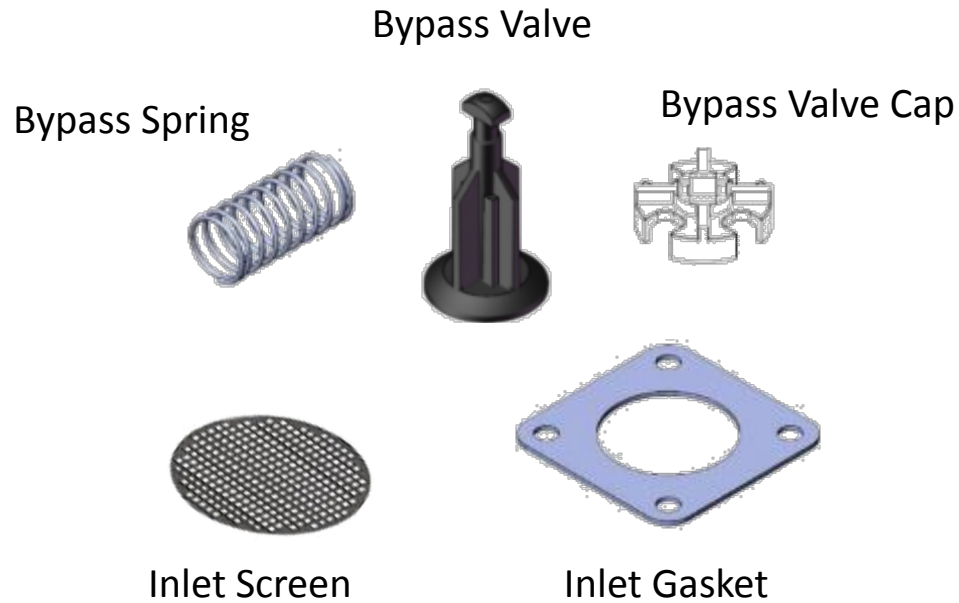
KIT321BGB – BSPP Inlet Flange Kit

- For NX3200 Series Pumps.



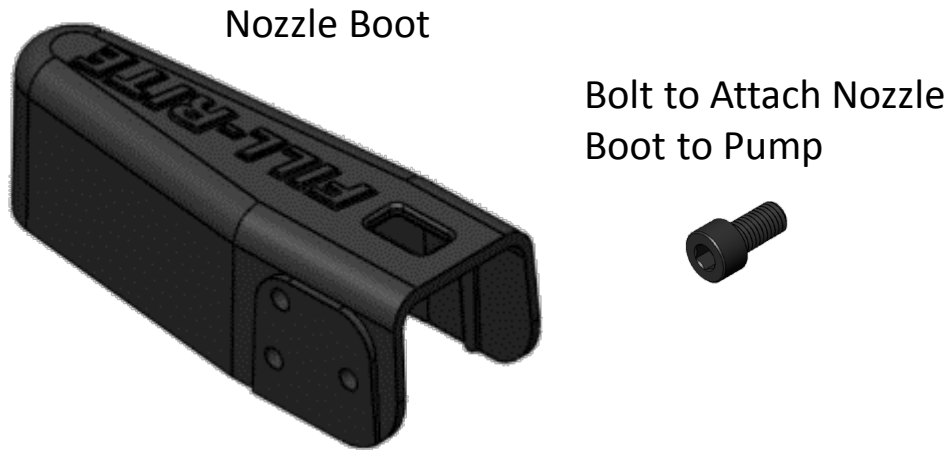
KIT321BV – Bypass Valve Kit

- For FR3200 Series Pumps.



KIT321NB – Nozzle Boot Kit

- For NX3200 Pumps.



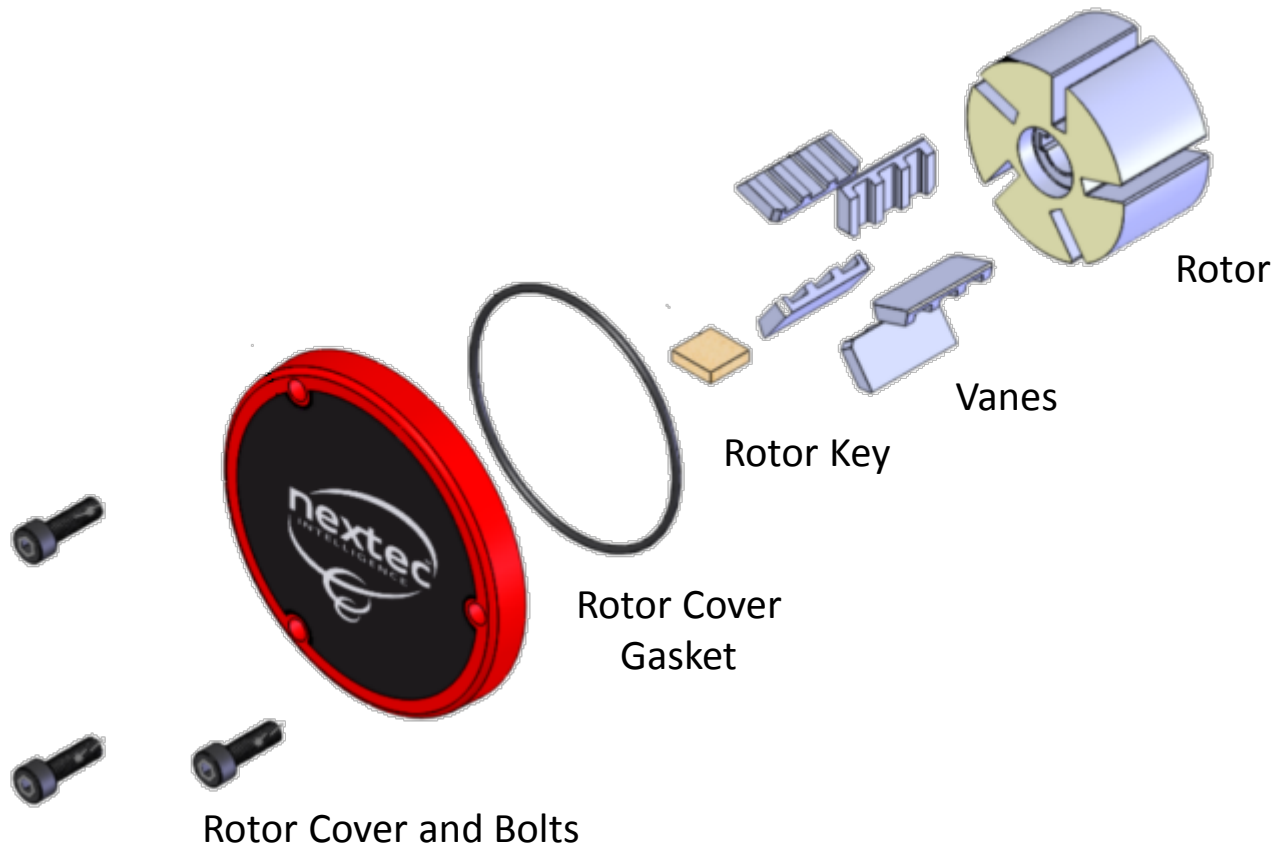
KIT321AC – Power Cable Kit

- For NX3200.



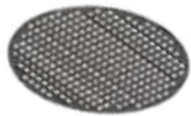
KIT321RG – Rotor Group Kit

- For NX3200 Pumps.

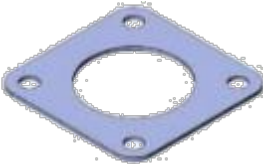


KIT321RK – Rebuild Kit

- For NX3200 Pumps.



Inlet Screen

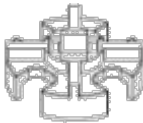


Inlet Gasket

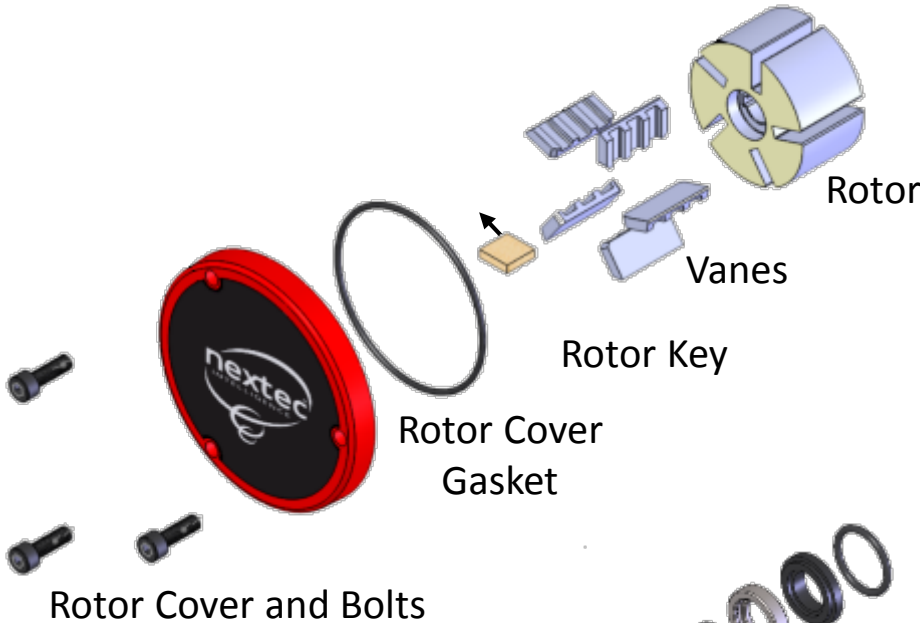
Bypass Valve



Bypass Spring



Bypass Valve Cap



Rotor Cover and Bolts

Rotor Cover Gasket

Rotor Key

Vanes

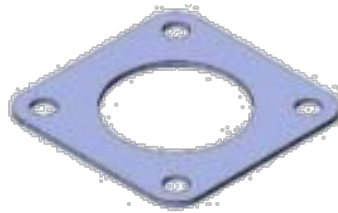
Rotor



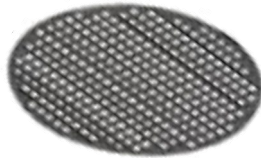
[KIT320SL](#) – Shaft Seal

KIT321SK – All External Seals Kit

- For NX3200 Pumps.



Inlet Gasket



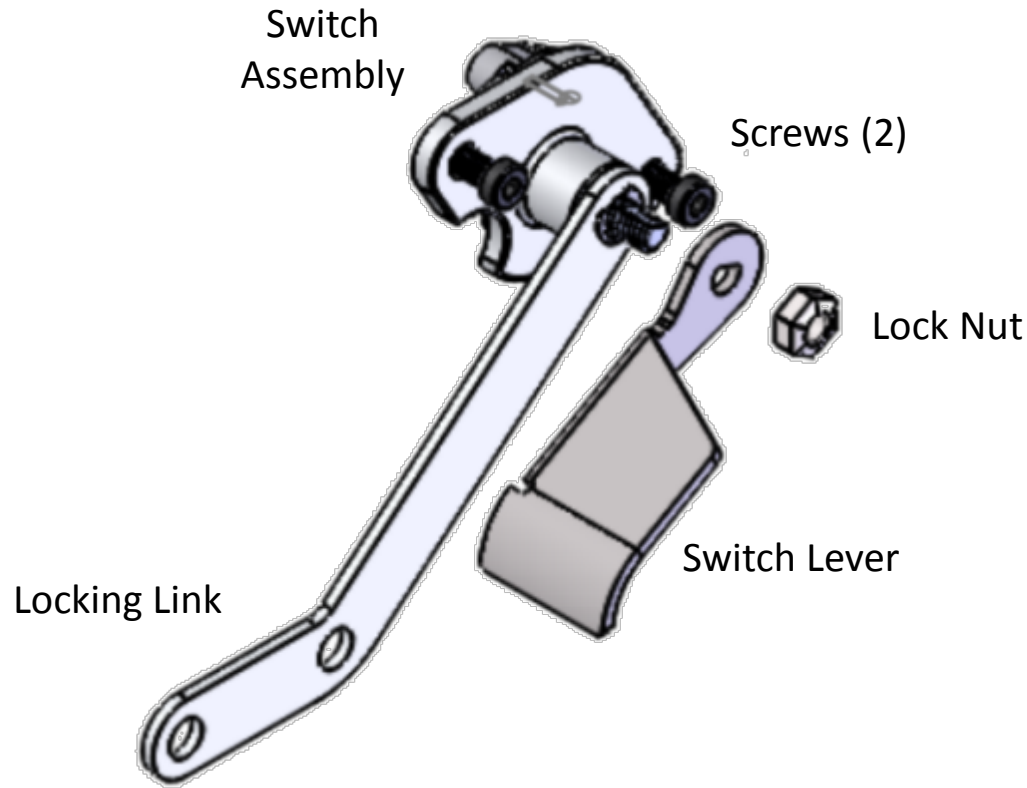
Inlet Screen



Rotor Cover
Gasket

KIT321SW – Switch Assembly Kit

- For NX3200 Pumps.



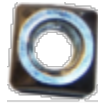
30KTF4919 – Rebuild Kit

- For FR30 Series Pumps.



KIT100WGP – Bulk Wood Handle Kit

- For FR30 and FR100 Series Pumps.



Handle Nut (15)



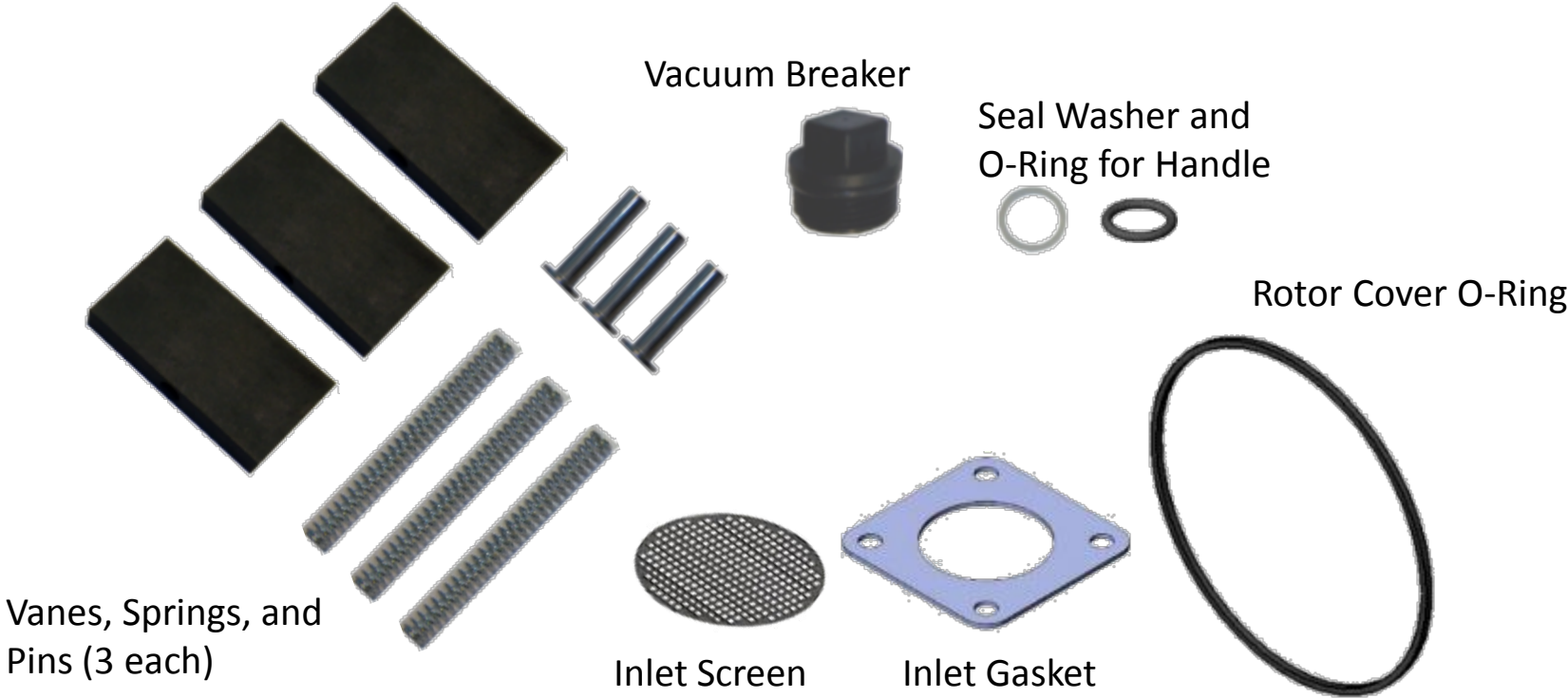
Handle Bolt (15)



Wood Handle (15)

100KTF1214 – Rebuild Kit

- For FR100 Series Pumps.



KIT100WHP – Bulk Shaft Seal Kit

- For FR100 Series Pumps.



O-Ring and Washer
(5 each)

KIT152VB – Vacuum Breaker Kit

- For FR100 and FR5200 Series Pumps.



Vacuum Breaker

KIT152VBP – Bulk Vacuum Breaker Kit

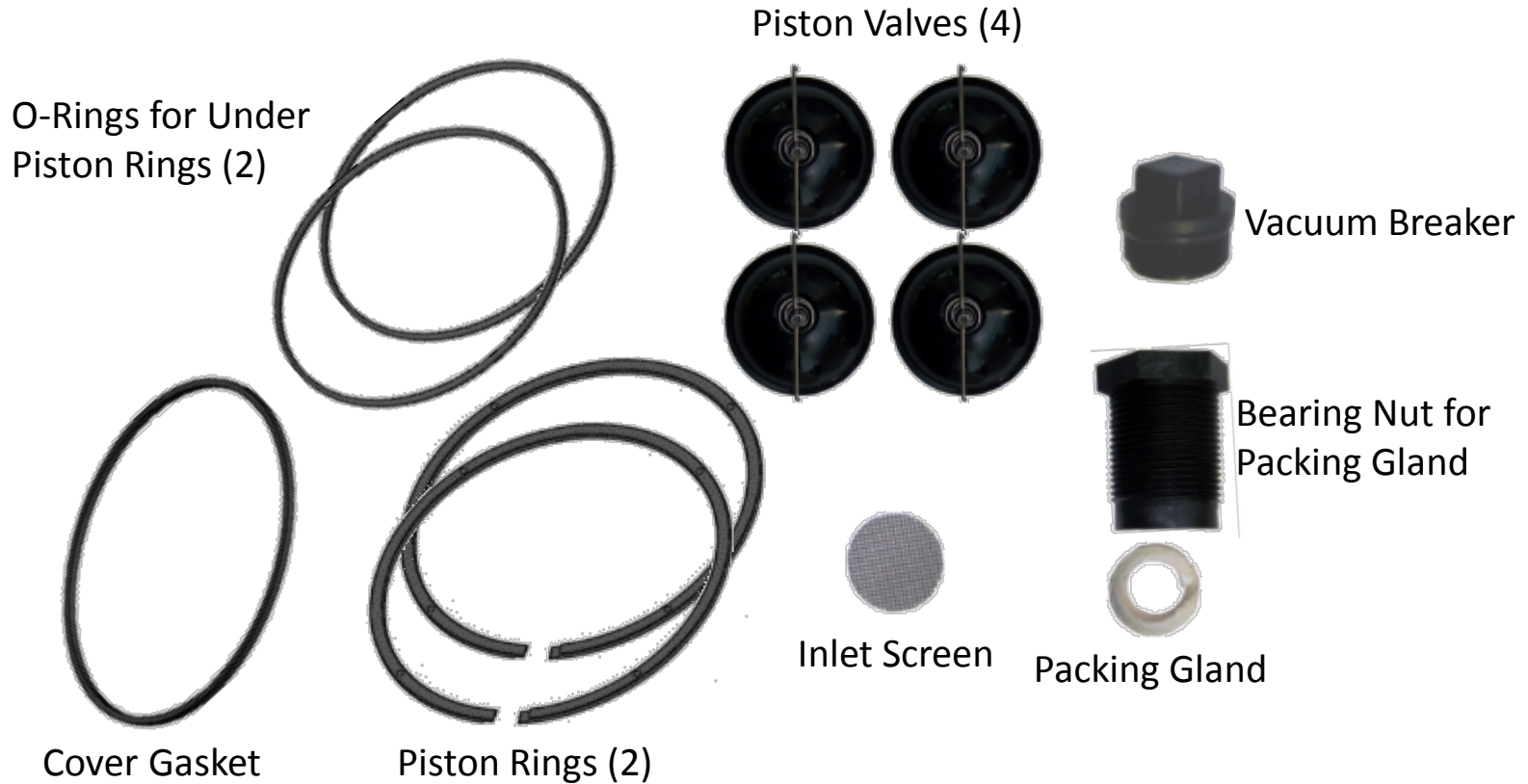
- For FR100 and FR5200 Series Pumps.



Vacuum Breaker(5)

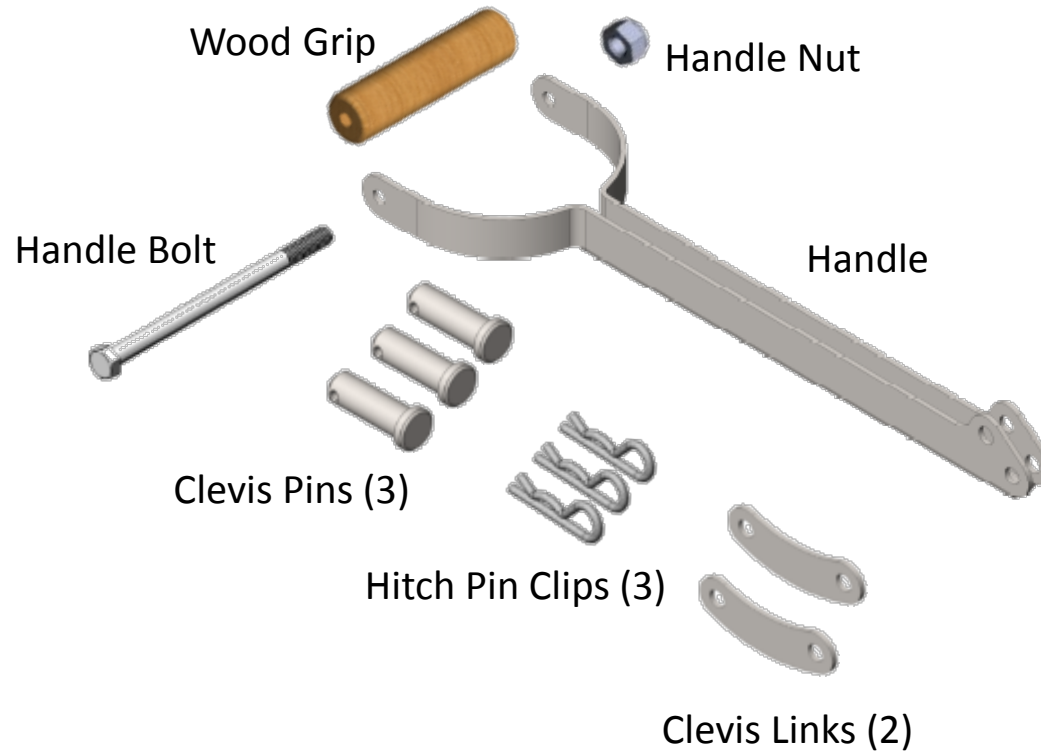
5200KTF1828 – Rebuild Kit

- For FR5200 Series Pumps.



KIT152HA – Handle Kit

- For FR5200 Series Pumps.



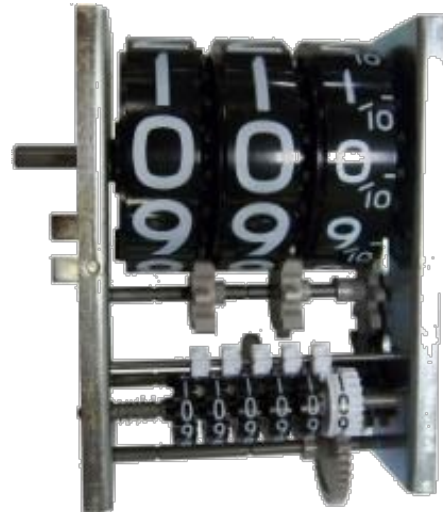
800KT – Rebuild Kit

- For 800 Series mechanical meters.
- All gears are black.



KIT800GR – Gallon Register / Faceplate Kit

- For 800 Series mechanical meters.



Gallon Register and Screws



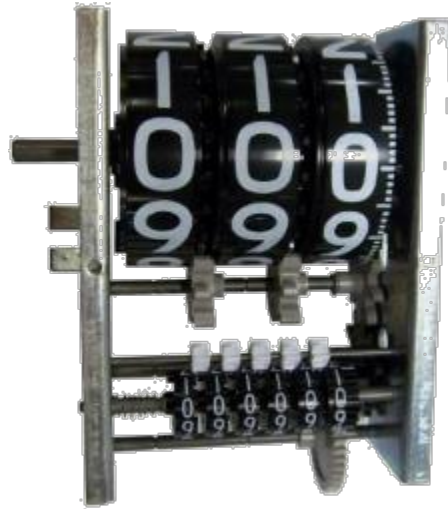
Gallon Faceplate and Screws



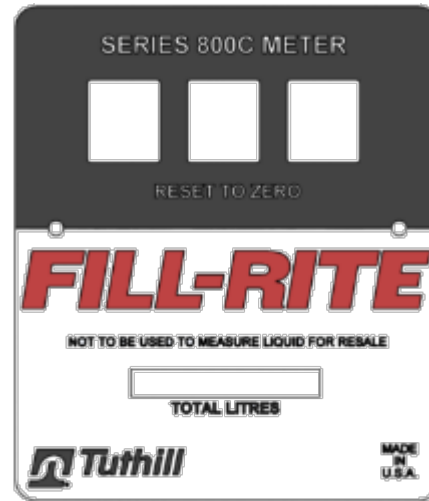
Pinion Bevel Gear

KIT800LR – Liter Register / Faceplate Kit

- For 800 Series mechanical meters.



Liter Register and Screws



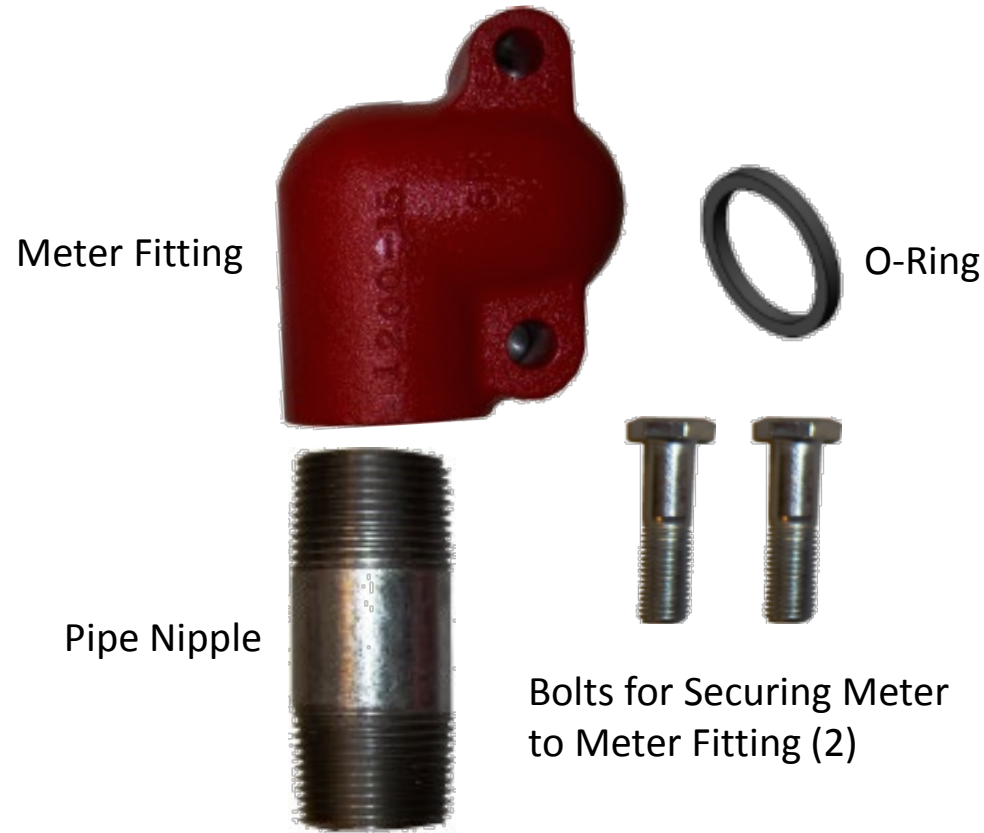
Liter Faceplate and Screws



Pinion Bevel Gear

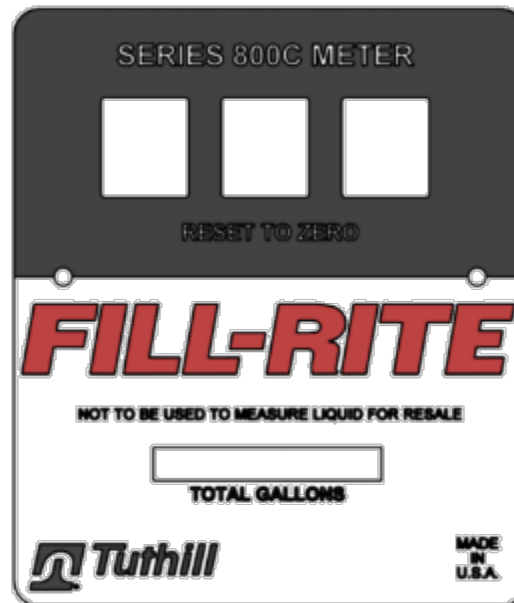
KIT800MK – Mounting Kit for Small Pumps

- This kit is used to mount an 800 series meter to the 1200, 2400, and 600 series pumps.



KIT800FPP – Bulk Gallon Faceplate Kit

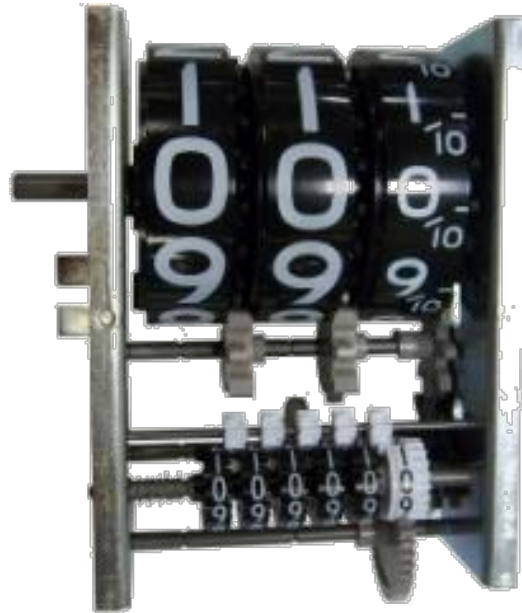
- For 800 Series mechanical meters.



Gallon Faceplate (5)

KIT800REP – Bulk Gallon Register Kit

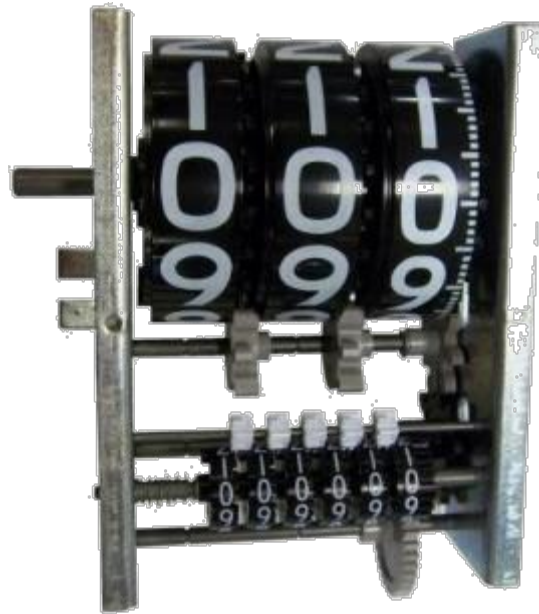
- For 800 Series mechanical meters.



Gallon Register (5)

KIT800LREP – Bulk Liter Register Kit

- For 800 Series mechanical meters.



Liter Register (5)

KIT800LFPP – Bulk Liter Faceplate Kit

- For 800 Series mechanical meters.



Liter Faceplate (5)

KIT800CGP – Bulk Cover Gasket Kit

- For 800 Series mechanical meters.
- Material is Buna-N.

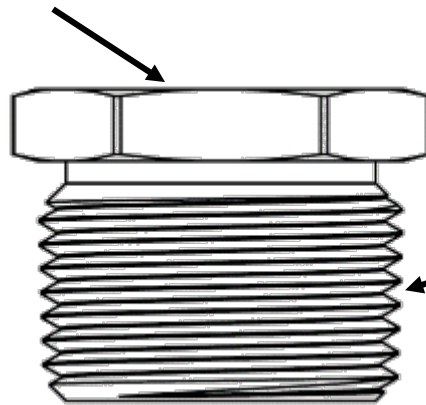


Cover Gasket (15)

KIT800RBPK – Bulk Reducer Bushing Kit

- 1" x ¾" Reducer Bushing

¾" Female NPT Thread

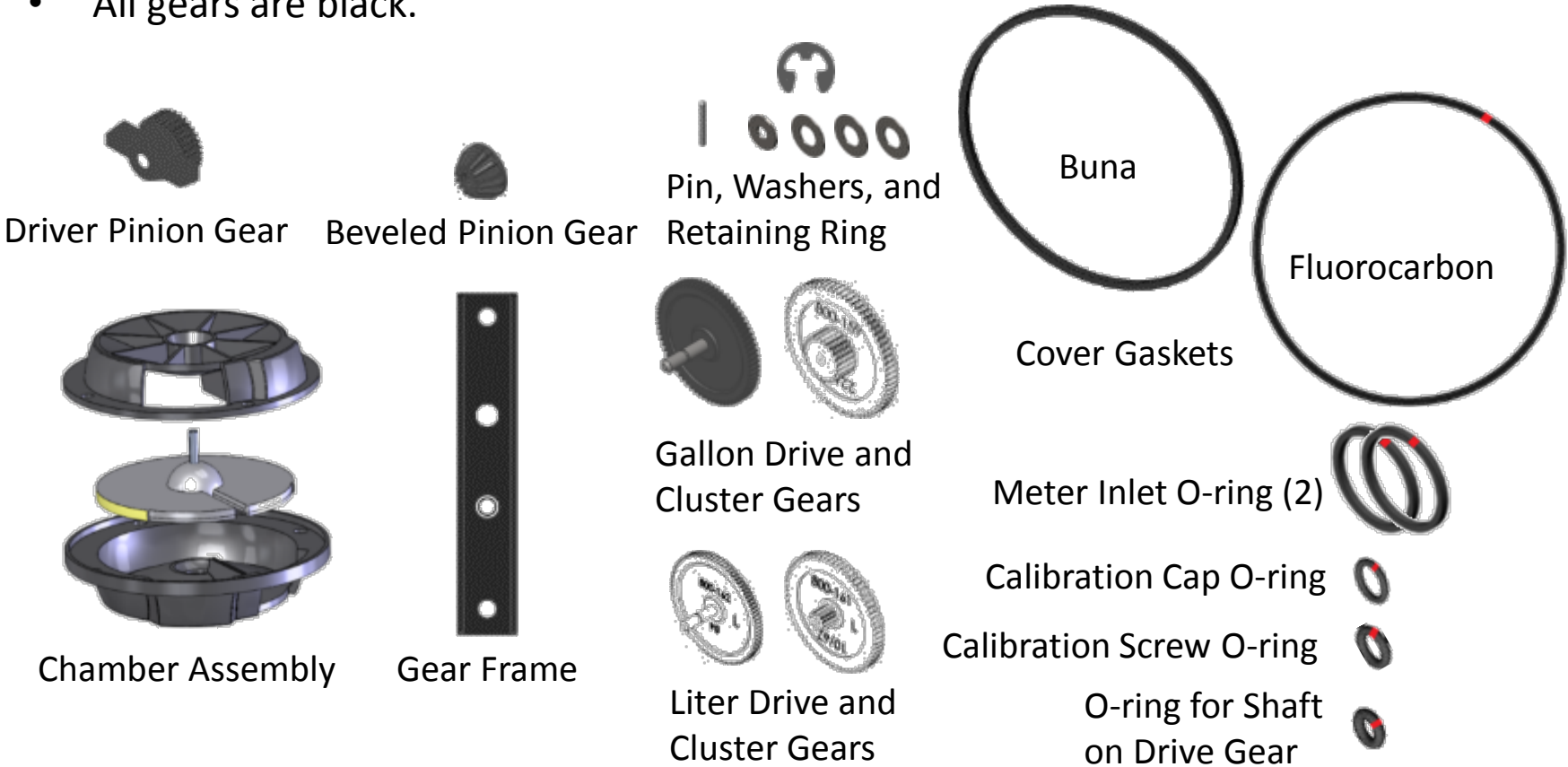


1" Male NPT Thread

Reducer Bushing (25)

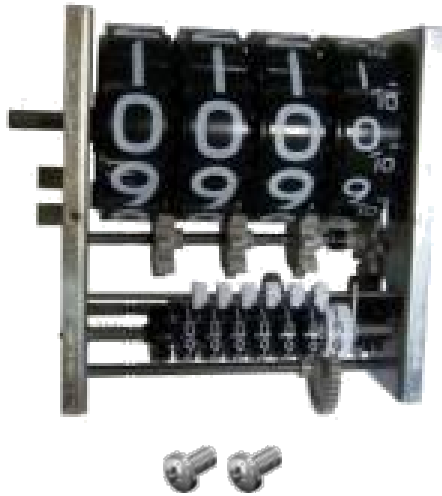
900KT – Rebuild Kit

- For 900 Series mechanical meters.
- All gears are black.

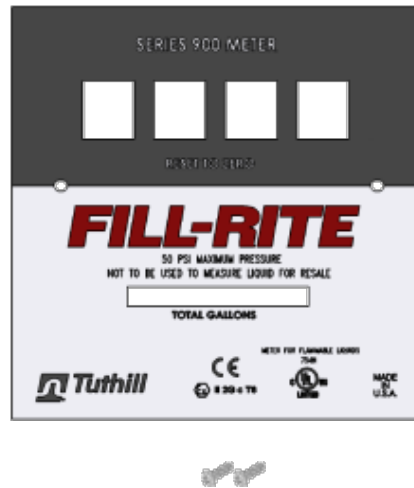


KIT900GR – Gallon Register / Faceplate Kit

- For 900 Series mechanical meters.



Gallon Register and Screws



Gallon Faceplate and Screws



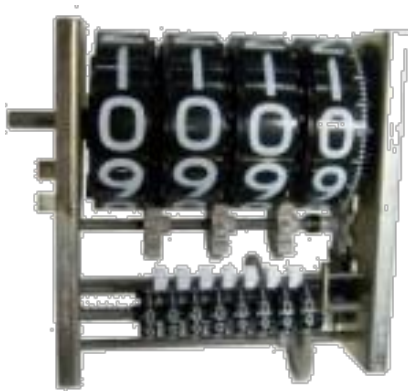
Pinion Bevel Gear



Bezel and Screws

KIT900LR – Liter Register / Faceplate Kit

- For 900 Series mechanical meters.
- The register is also used in all TN740, TN760 and TN860 meters.



Liter Register and Screws



Liter Faceplate and Screws



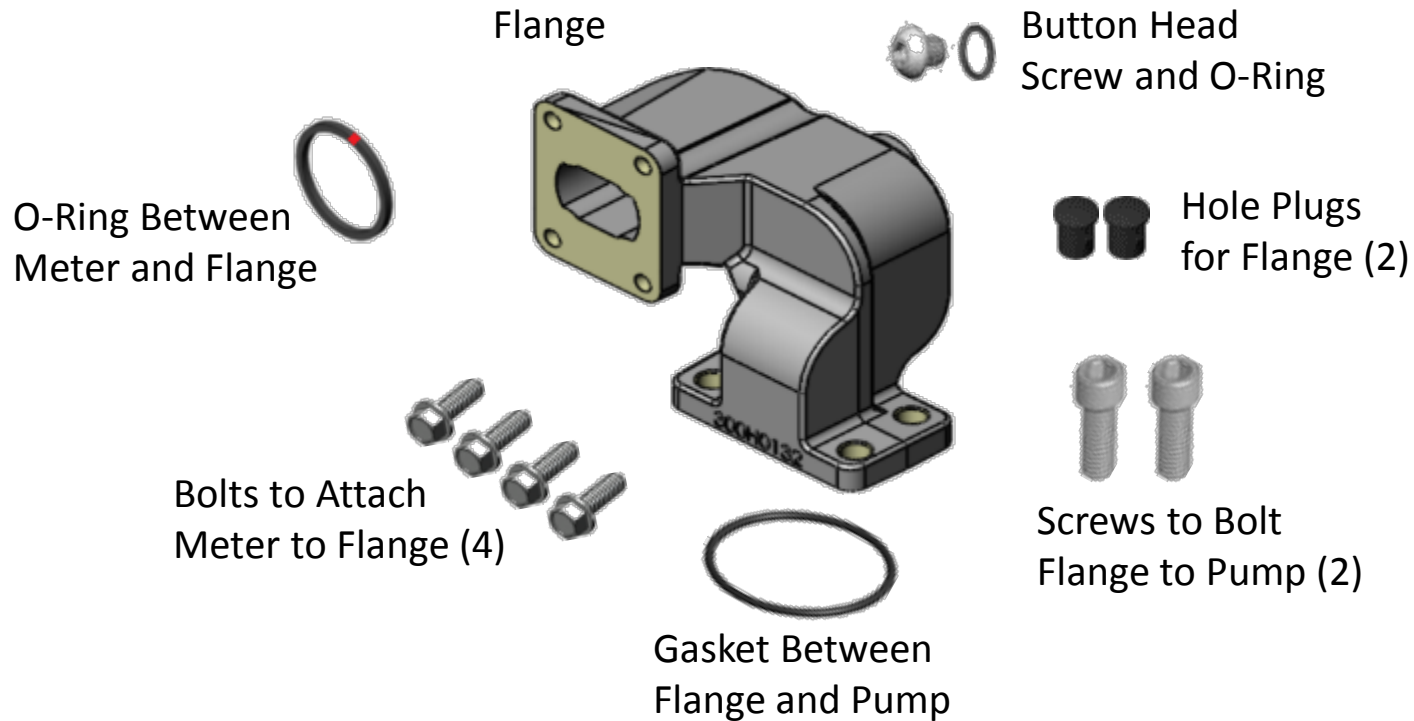
Pinion Bevel Gear



Bezel and Screws

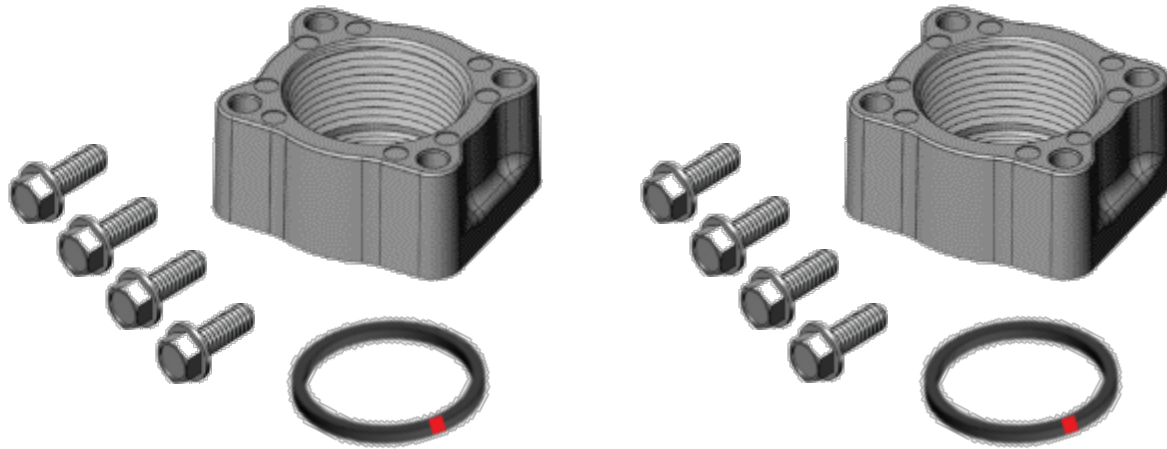
KIT900PF – Meter / Pump Flange Kit

- For 900 Series mechanical and digital meters.
- Used to mount a 900 Series meter to a V series 700 or 300 large pump.



KIT900PF1.5N – Nickel 1½” NPT Meter Flange Kit

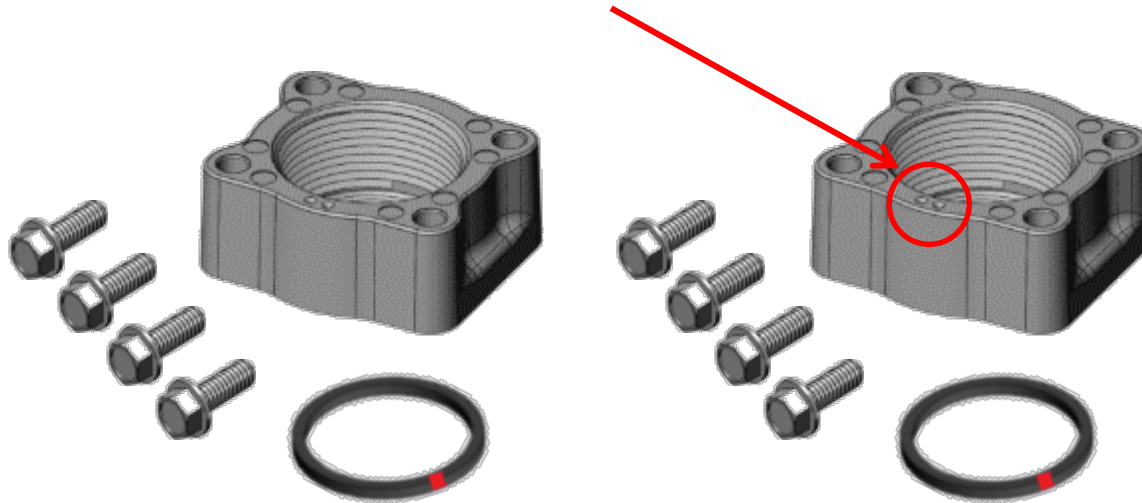
- For 900 Series mechanical and digital meters.
- The nickel plated flanges will have a yellowish color.



Nickel Plated 1½” NPT Meter Flanges (2),
Gaskets (2), and Screws (8)

KIT900PF1.5B – Nickel 1½” BSP Meter Flange Kit

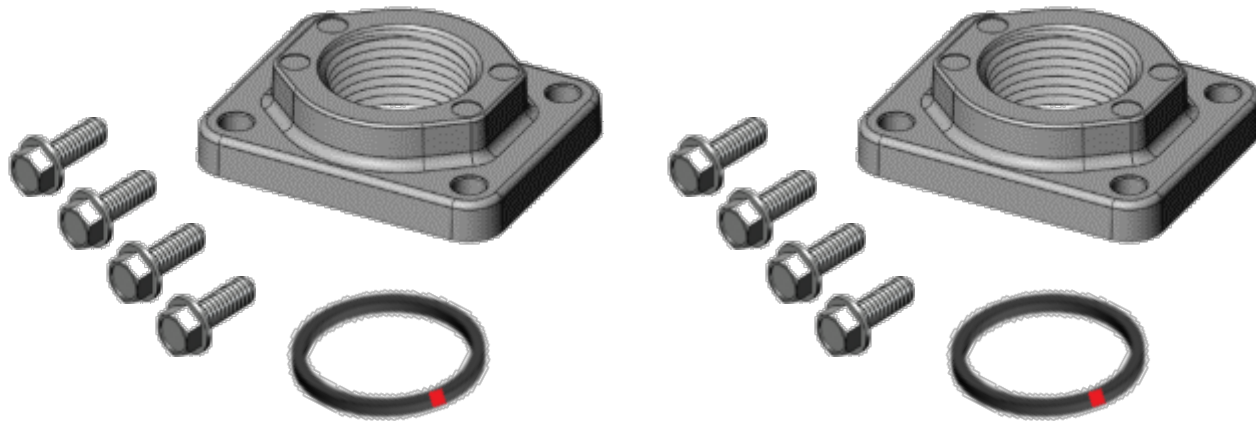
- For 900 Series mechanical and digital meters.
- The nickel plated flanges will have a yellowish color.
- These two divots indicate the threads are BSP.



Nickel Plated 1½” BSP Meter Flanges (2),
Gaskets (2), and Screws (8)

KIT900PF1N – Nickel 1" NPT Meter Flange Kit

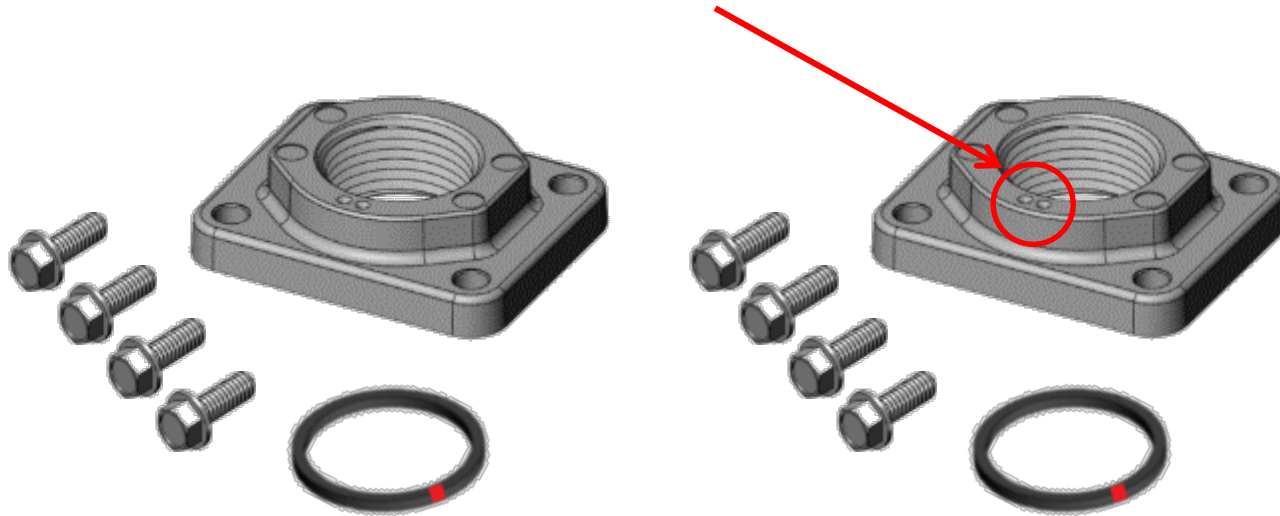
- For 900 Series mechanical and digital meters.
- The nickel plated flanges will have a yellowish color.



Nickel Plated 1" NPT Meter Flanges (2),
Gaskets (2), and Screws (8)

KIT900PF1B – Nickel 1" BSP Meter Flange Kit

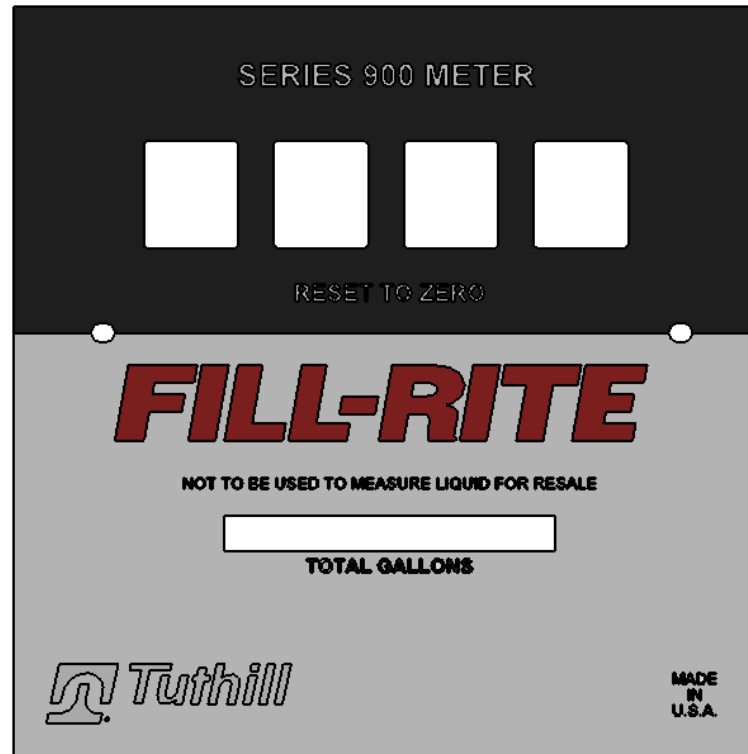
- For 900 Series mechanical and digital meters.
- The nickel plated flanges will have a yellowish color.
- These two divots indicate the threads are BSP.



Nickel Plated 1" BSPT Meter Flanges (2),
Gaskets (2), and Screws (8)

KIT900FPP – Bulk Gallon Faceplate Kit

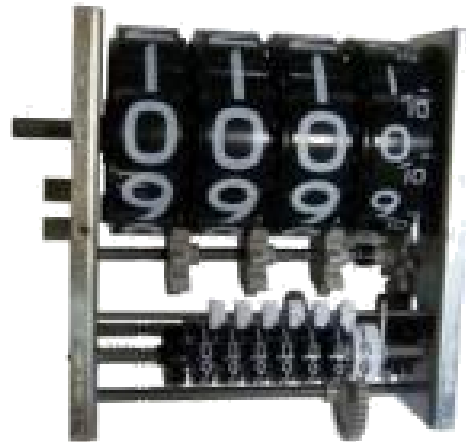
- For 900 Series mechanical meters.



Gallon Faceplate (5)

KIT900REP – Bulk Gallon Register Kit

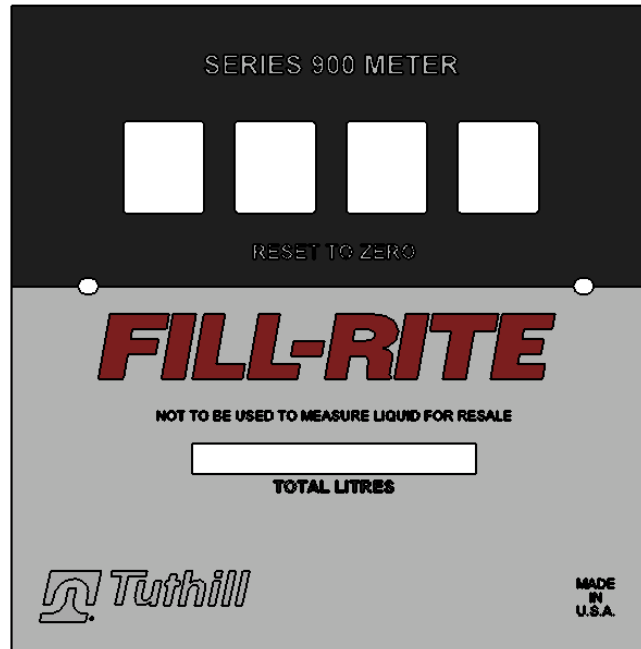
- For 900 Series mechanical meters.



Gallon Register (5)

KIT900LFPP – Bulk Liter Faceplate Kit

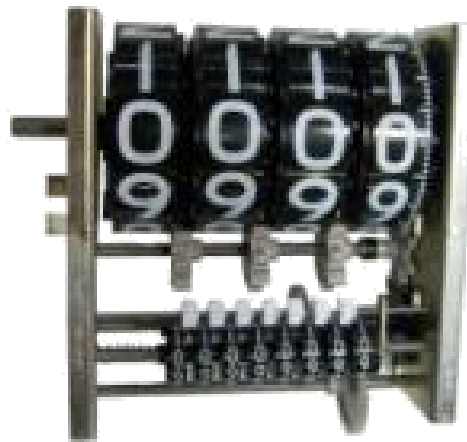
- For 900 Series mechanical meters.



Liter Faceplate (5)

KIT900LREP – Bulk Liter Register Kit

- For 900 Series mechanical meters.
- The register is also used in all TN740, TN760 and TN860 meters.



Liter Register (5)

MC8600 – Meter Chamber Assembly

- For TN740 meters.
- **Do not** use in the TN760 or TN860 meters as it will not fit.



Meter Chamber
Assembly

MC8800 – Meter Chamber Assembly

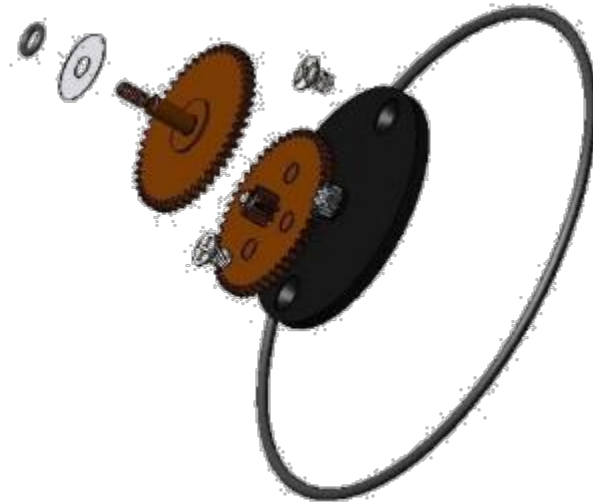
- For TN760 and TN860 meters.
- **Do not** use in the TN740 meters as it will not fit.



Meter Chamber
Assembly

RK8101 – Control Plate Assembly

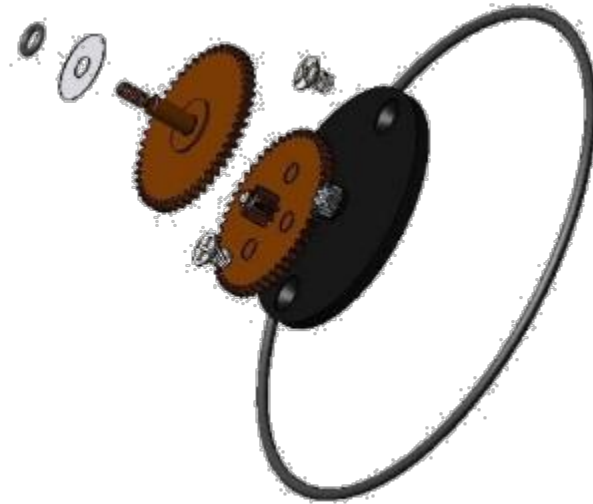
- For TN740, TN760 and TN860 meters.
- Seals in this kit are Fluorocarbon.



Control Plate Assembly
(Fluorocarbon Seals)

RK8201 – Control Plate Assembly

- For TN860 meters.
- Seals in this kit are PTFE.



Control Plate Assembly
(PTFE Seals)

RK3700 – Register Cover and Reset Knob

- For TN740, TN760, and TN860 meters.



Register Cover



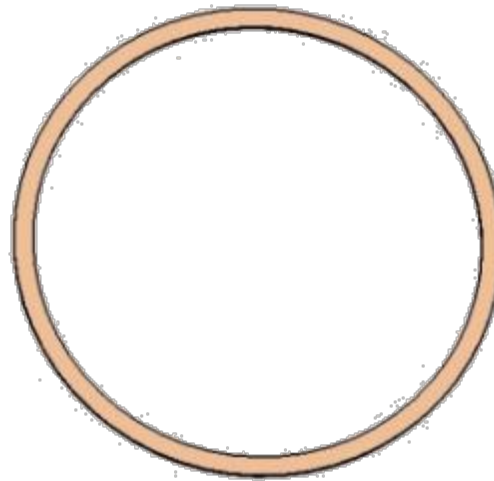
Reset Knob

PL5250 – Cover, Gasket and Screws

- For TN740, TN760, and TN860 meters.



Clear Lexan Cover



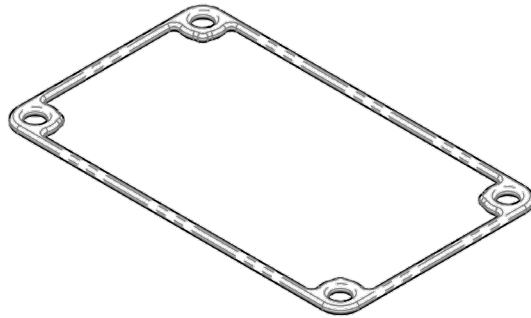
Cover Gasket



Screws for Cover (2)

KITMODTT10A – TT10A Replacement Module

- For TT10AN, TT10AB, TT10ANC, and TT10ABC meters.



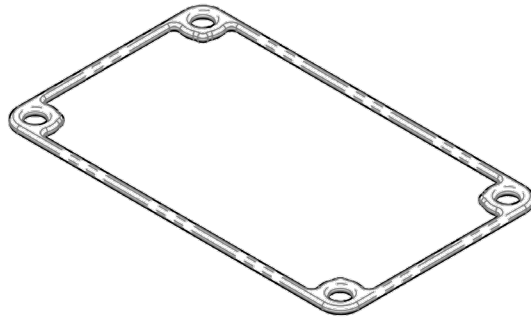
Track Gasket



Meter Module

KITMODTT10P – TT10P Replacement Module

- For TT10PN and TT10PB meters.



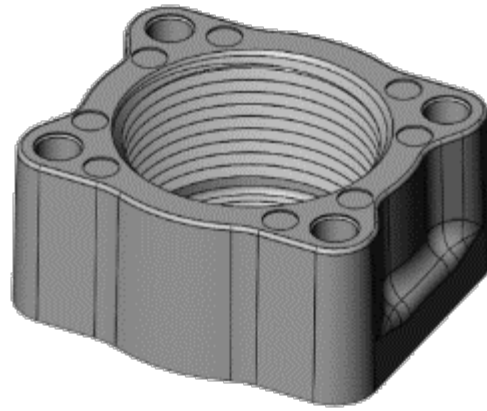
Track Gasket



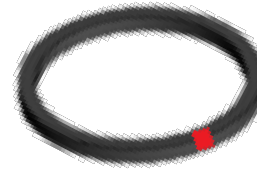
Meter Module

KIT900FGP – Bulk 1½” NPT Meter Flange / Gasket Kit

- For 900 Series mechanical meters.



1½” Meter Flange (5)



Gasket (5)

KIT900CGP – Bulk Cover Gasket Kit

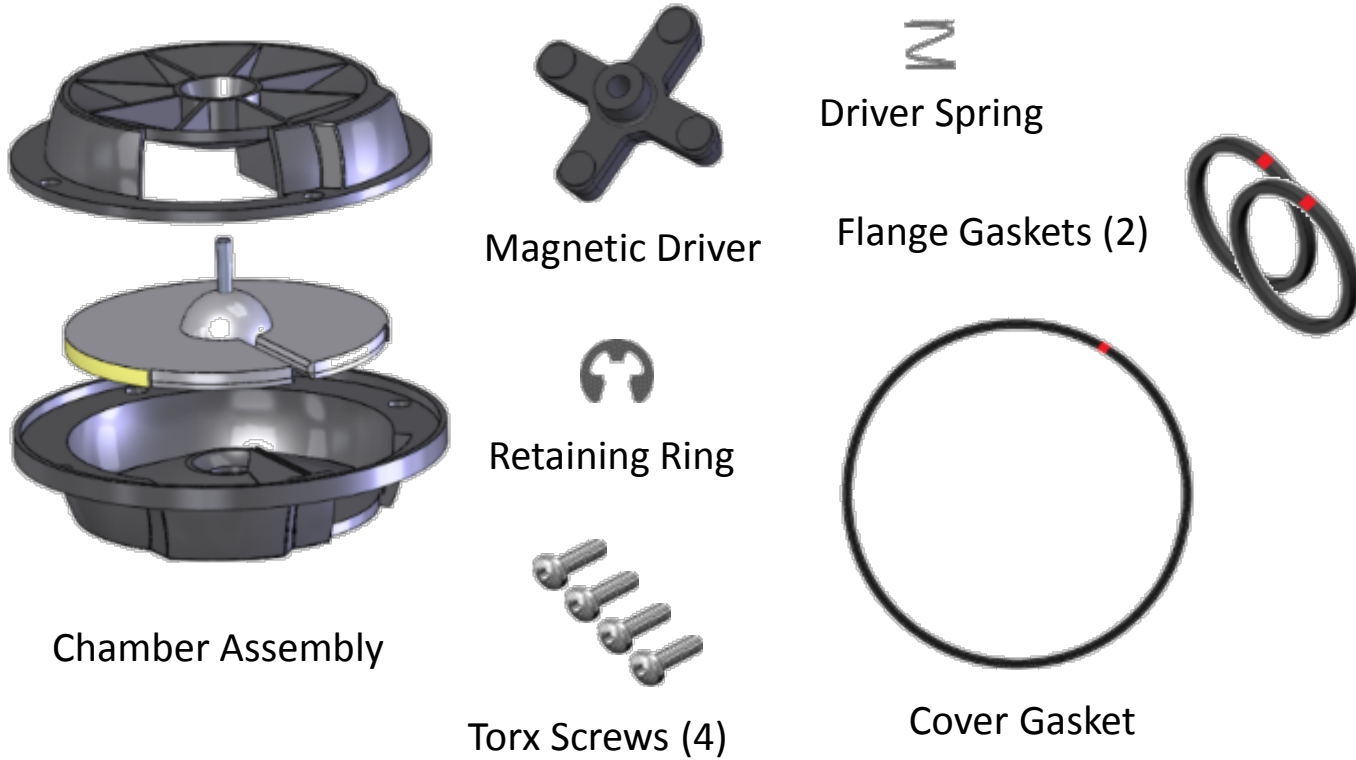
- For 900 Series mechanical meters.
- Material is Buna-N.



Cover Gasket (5)

900DKT – Rebuild Kit

- For 900 Digital meters.



KIT900DPBA – Intrinsically Safe Barrier

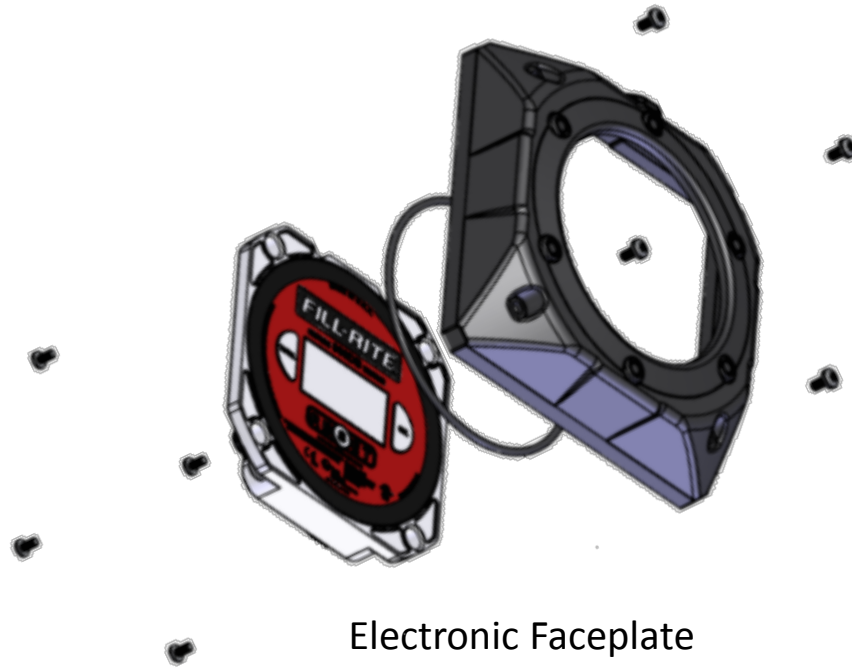
- For 900CDP Digital meters.



Intrinsically Safe
Barrier

KIT900CDFP – 900CD Electronic Faceplate

- For 900CD Digital meters.
- Comes assembled.



Electronic Faceplate
Assembly

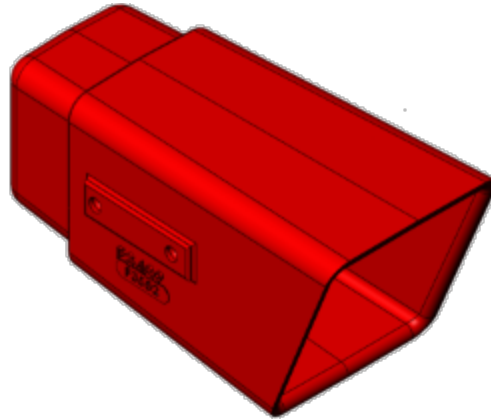
KIT900CDPFP – 900CDP Electronic Faceplate

- For 900CDP Digital meters.
- Comes assembled.

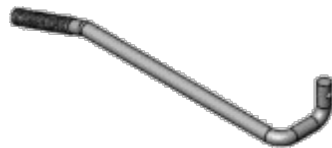


702KTF3518 – Universal Nozzle Boot and Switch Rod Kit

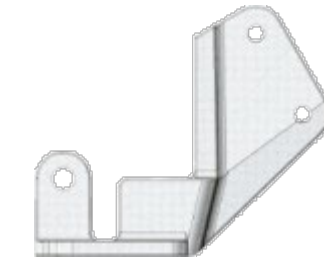
Universal Nozzle Boot



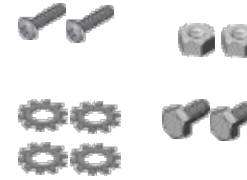
Switch Rod for 702
Series Pumps



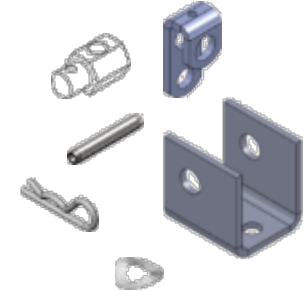
Switch Rod for 305
Series Dispensers



Nozzle Retainer



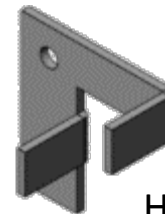
Fasteners



Switch Rod Hardware



Handle Switch

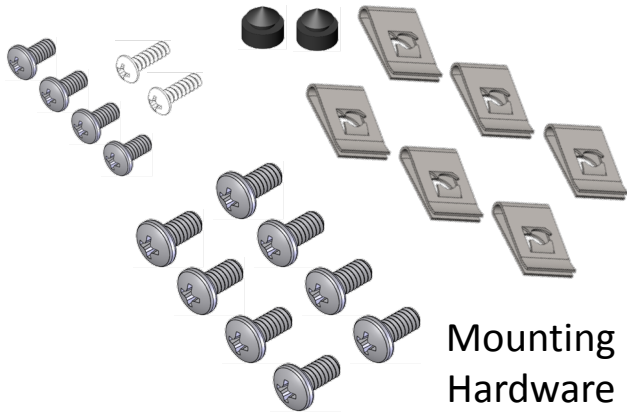


Handle Stop

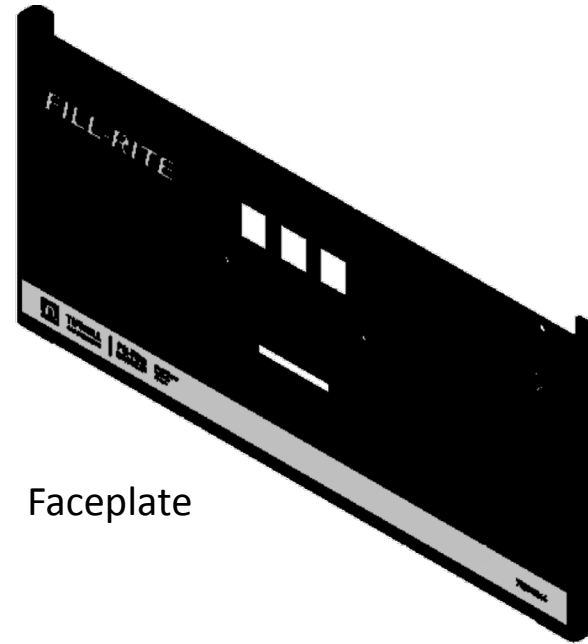


Hole Plugs

KIT702FP – Old FR702 Faceplate



Mounting Hardware



Faceplate

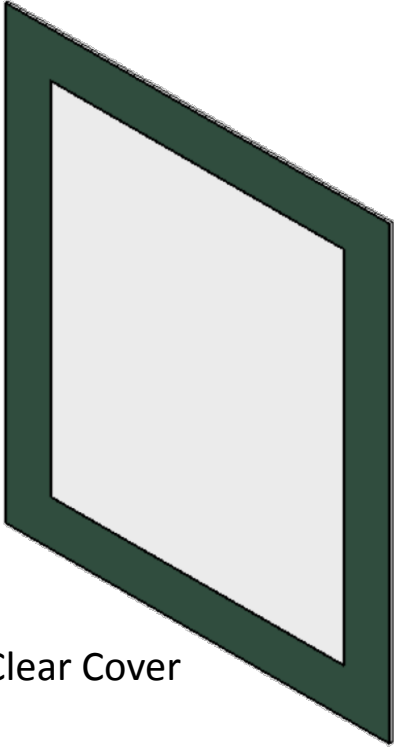
KIT702VELRUF – FR702VELRU Faceplate



Screws (2)



Faceplate



Clear Cover

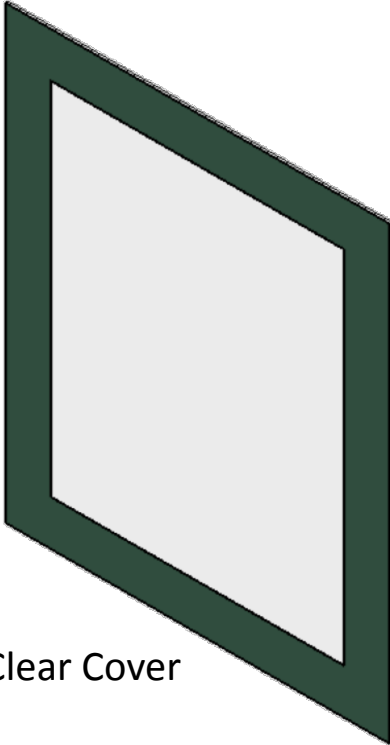
KIT702VLRUFP – FR702VLRU Faceplate



Screws (2)



Faceplate



Clear Cover

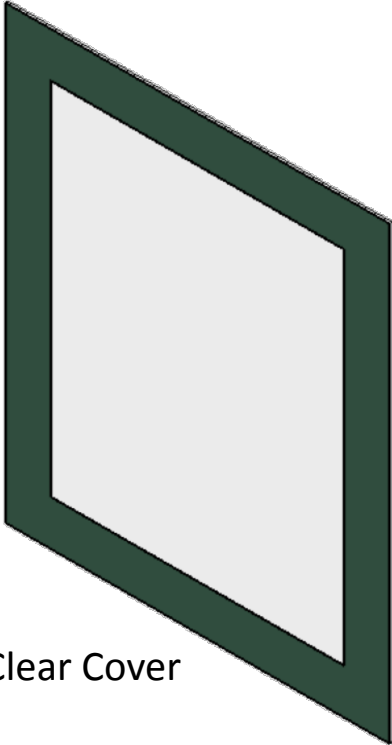
KIT702VRFP – FR702VR Faceplate



Screws (2)



Faceplate

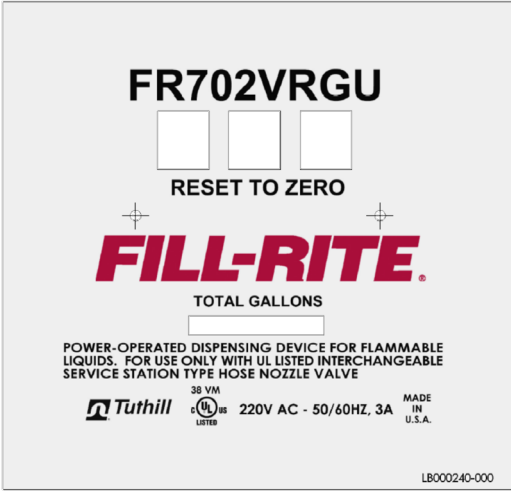


Clear Cover

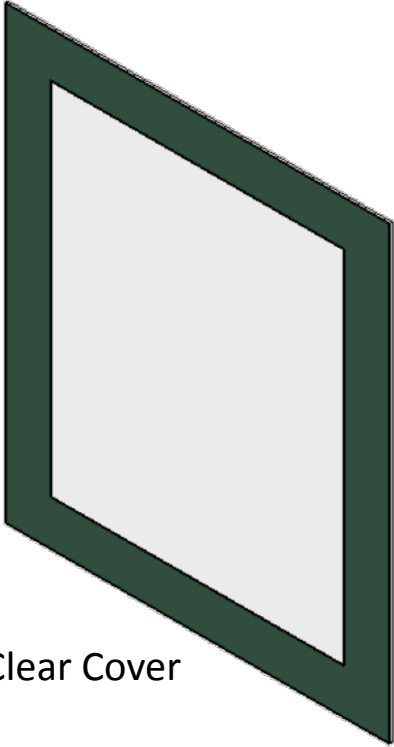
KIT702VRGUF – FR702VRGU Faceplate



Screws (2)



Faceplate

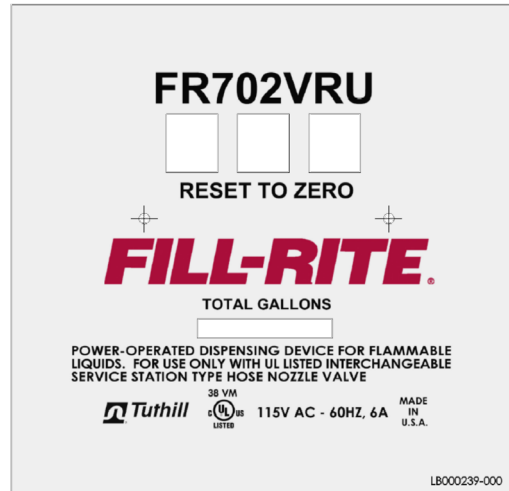


Clear Cover

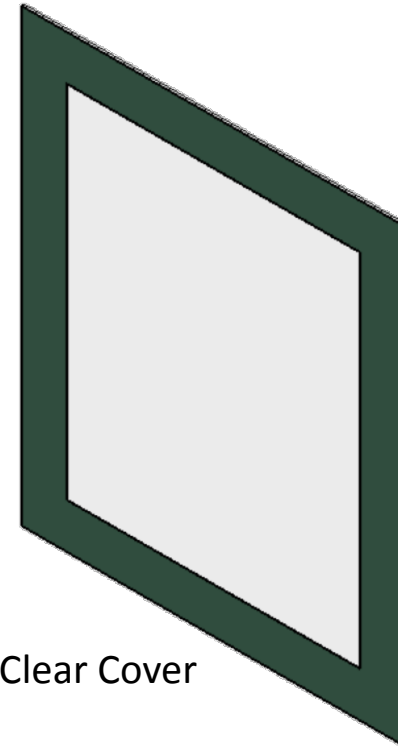
KIT702VRUFP – FR702VRU Faceplate



Screws (2)



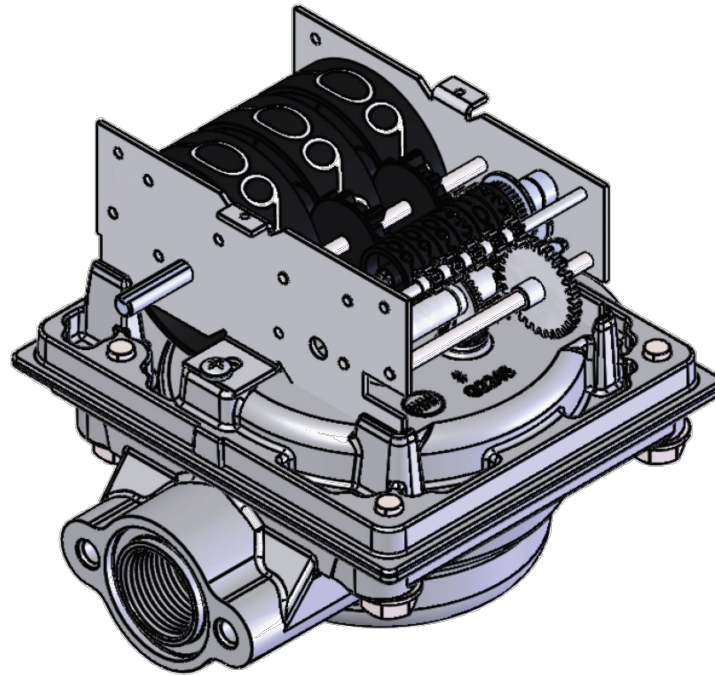
Faceplate



Clear Cover

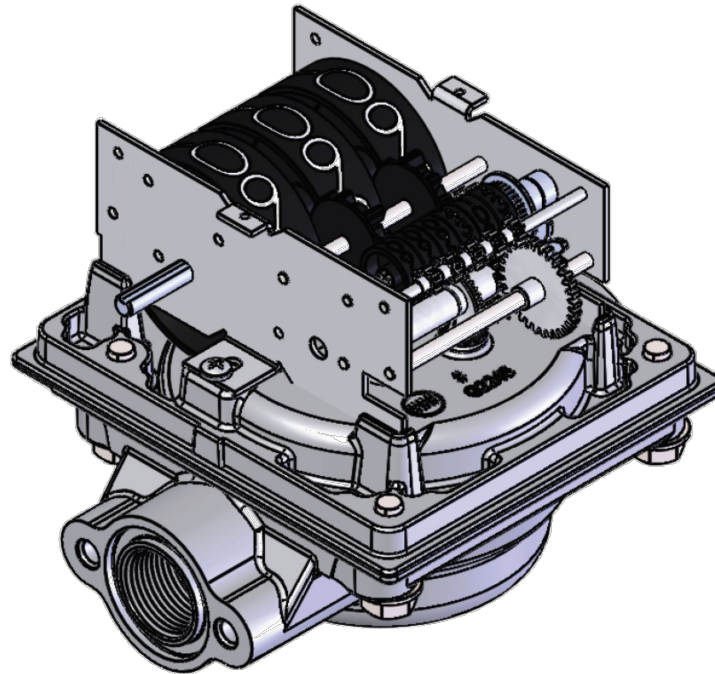
KIT702MG – Gallon Meter

- Used with FR702 or FR702V Cabinet Pumps



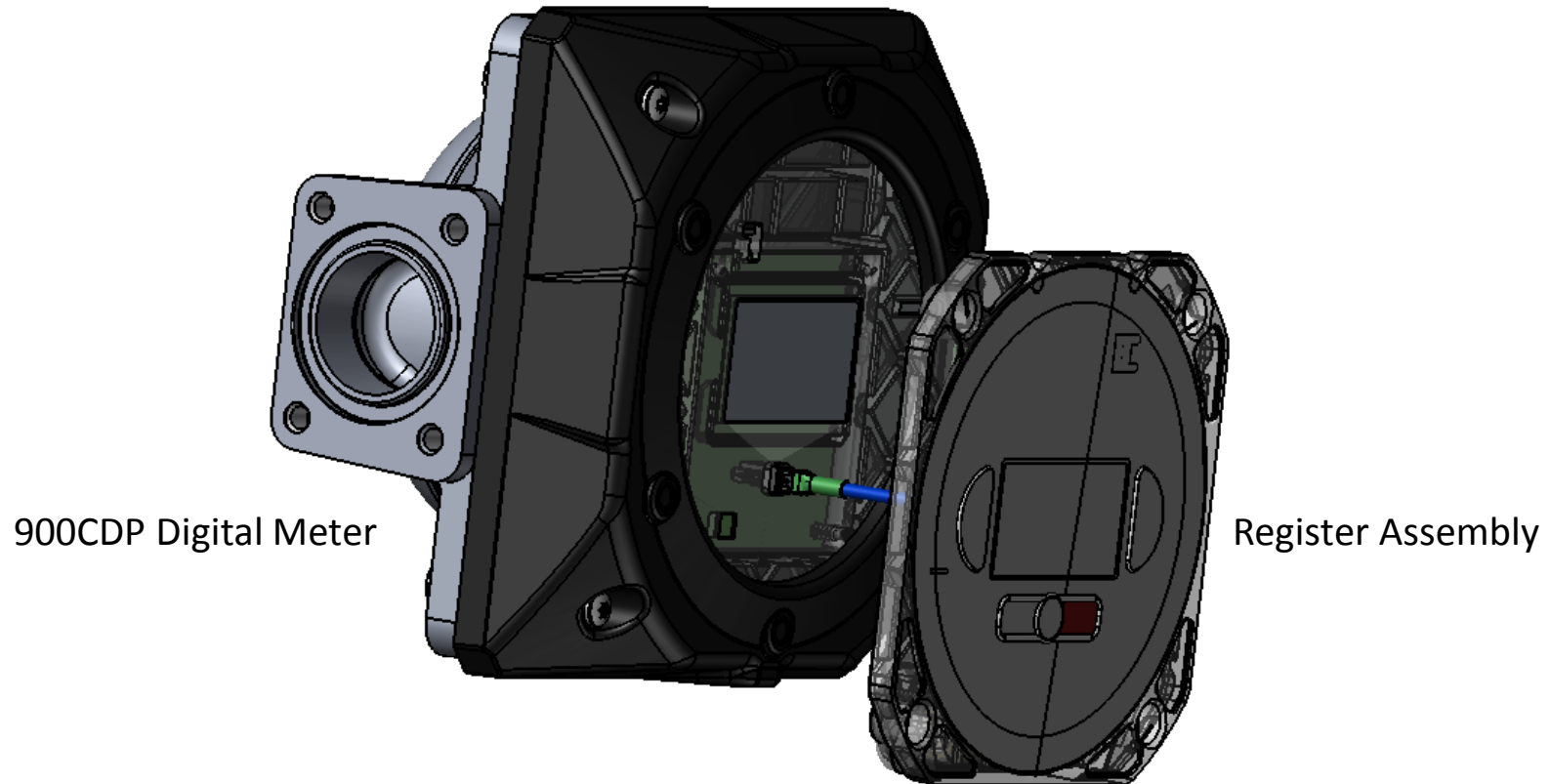
KIT702ML – Liter Meter

- Used with FR702 or FR702V Cabinet Pumps



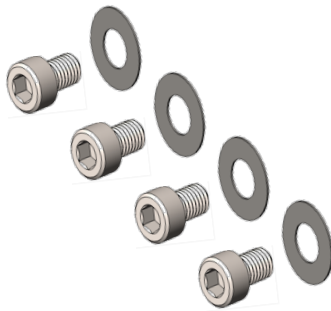
KIT900CABINT – Digital Meter Kit

- Used in the FR902DP and FR302DP Cabinets

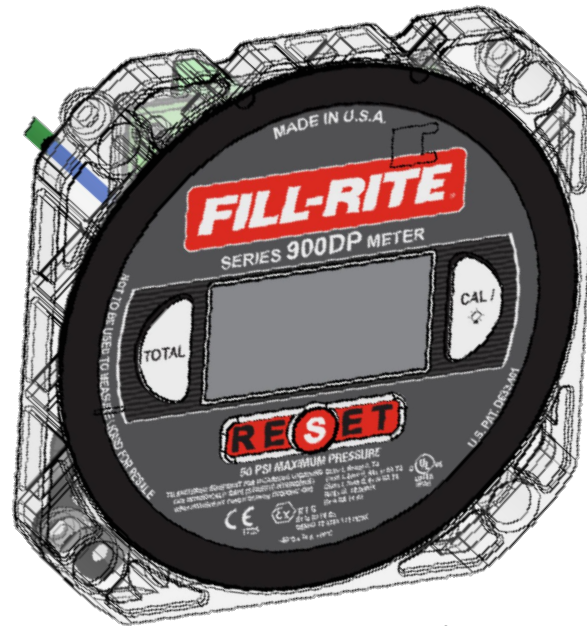


KIT302DPD – Digital Register Kit

- Used in the FR902DP and FR302DP Cabinets
- The register has the cable coming out the back to connect to the meter in the cabinets.



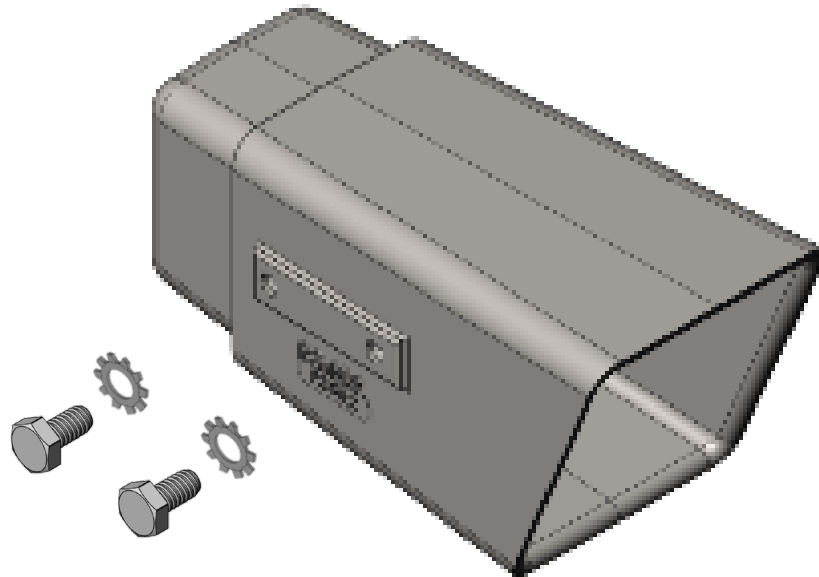
Screws (4) and
Washers (4)



Register Assembly

KIT305NZ – Universal Nozzle Boot Kit

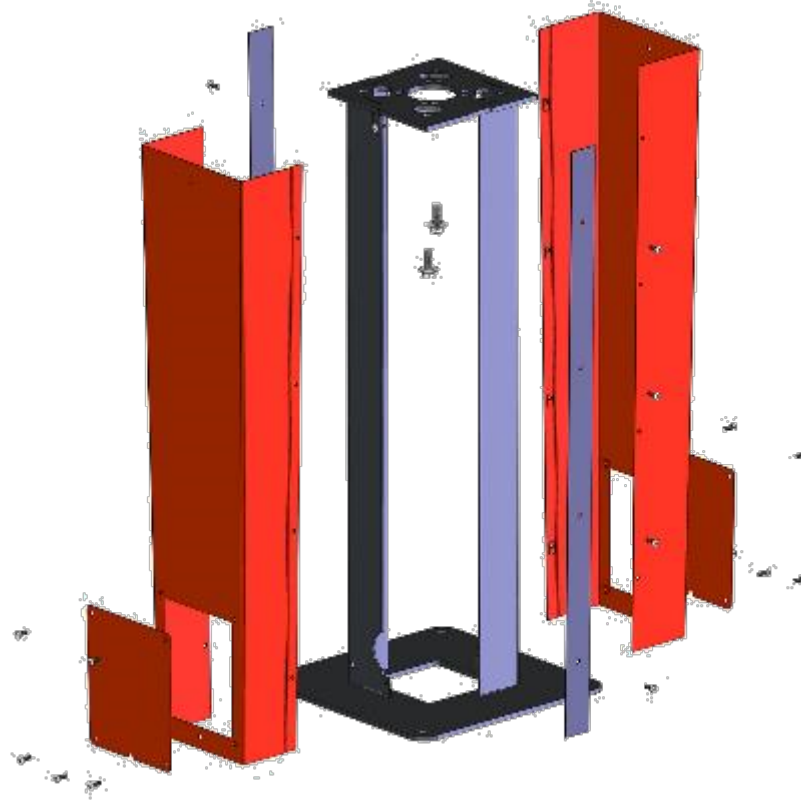
- Can be used on the older FR305 cabinet meters, the FR702 cabinet pumps, the FR902DPU and FR302DPU.



Universal Nozzle Boot and Mounting Hardware

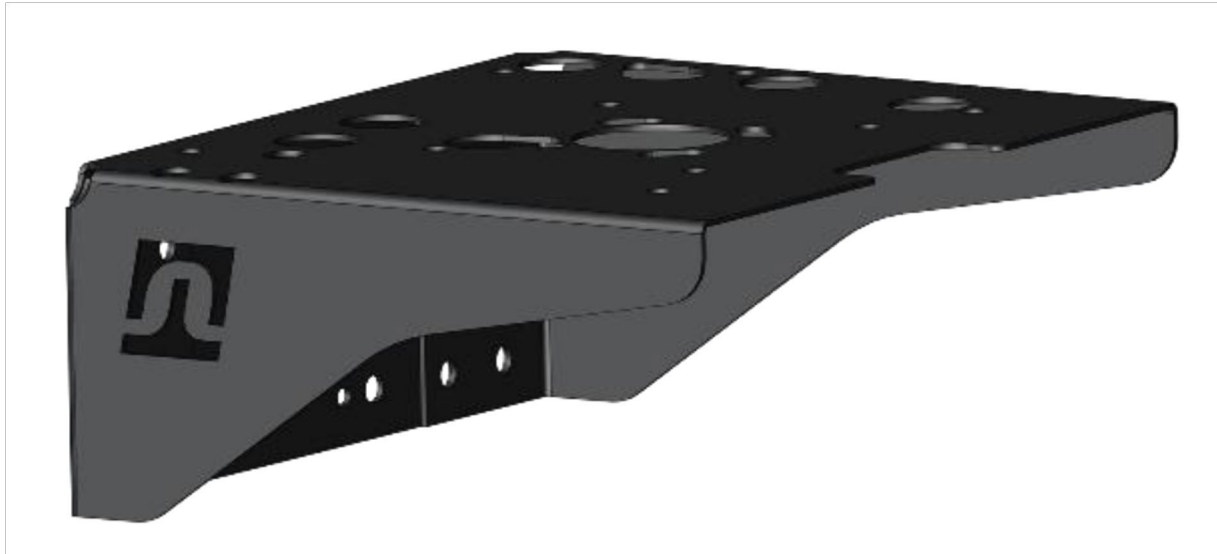
KITPD – Pedestal

- Can be used with the FR902DPU and FR302DPU Only.



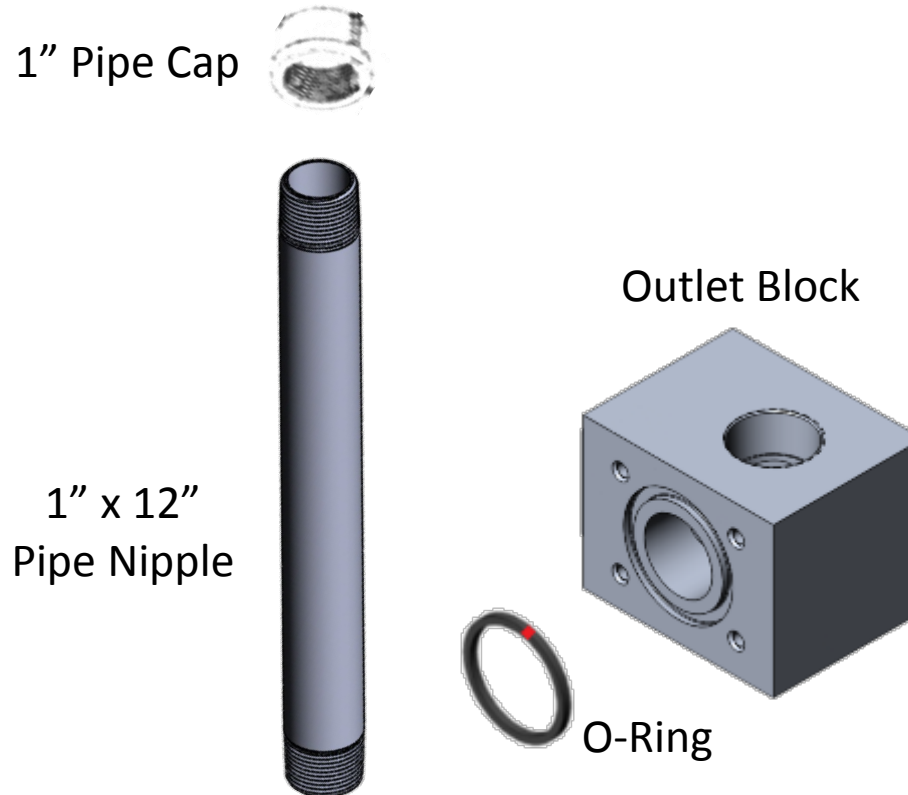
KITWM – Wall Mount Bracket

- Can be used with the FR902DPU and FR302DPU Only.



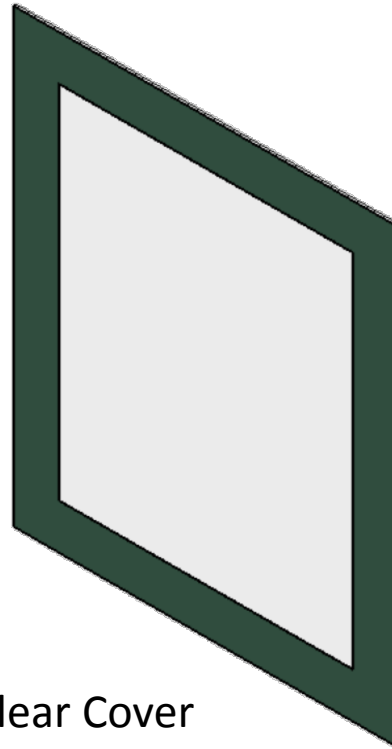
KITHA – Hammer Arrestor

- Used with the FR902DPU and FR302DPU cabinets.



KIT902CC – Clear Cover

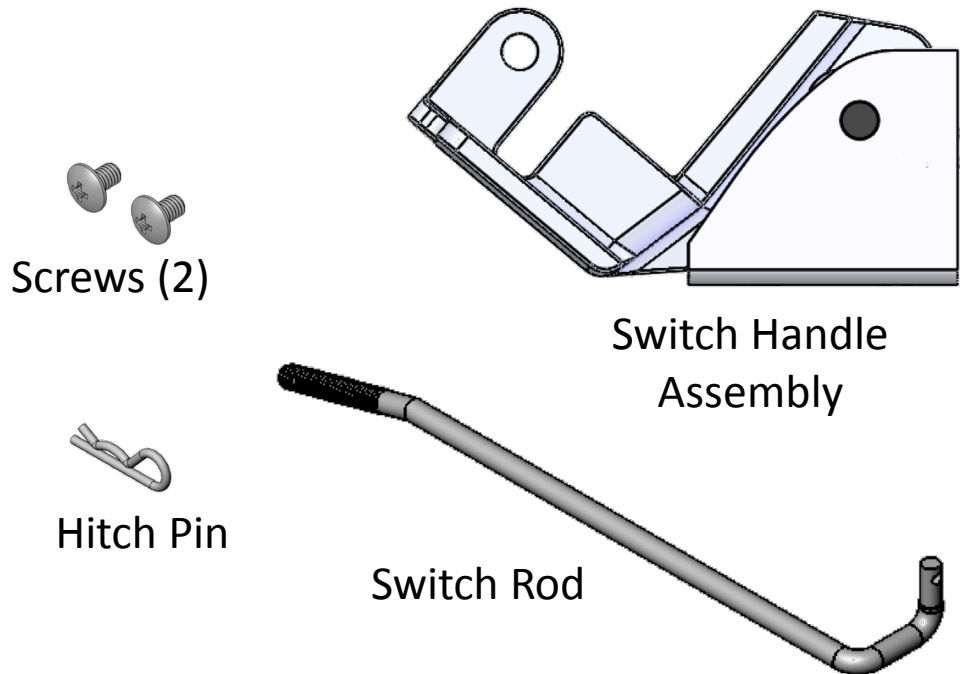
- Used on the FR902C mechanical meter cabinets and the FR702V pump cabinets.



Clear Cover

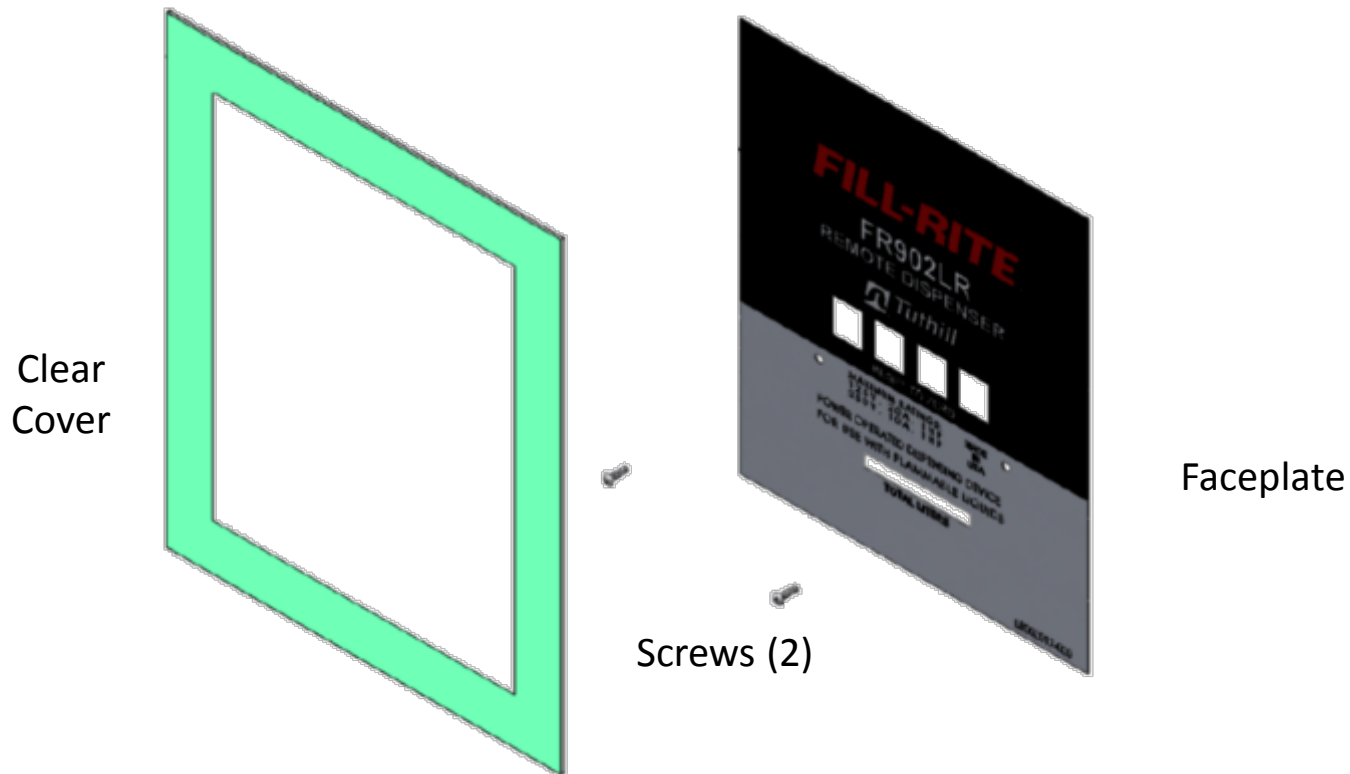
KIT902HA – Switch Handle Assembly

- Used on the FR902C mechanical meter cabinets.



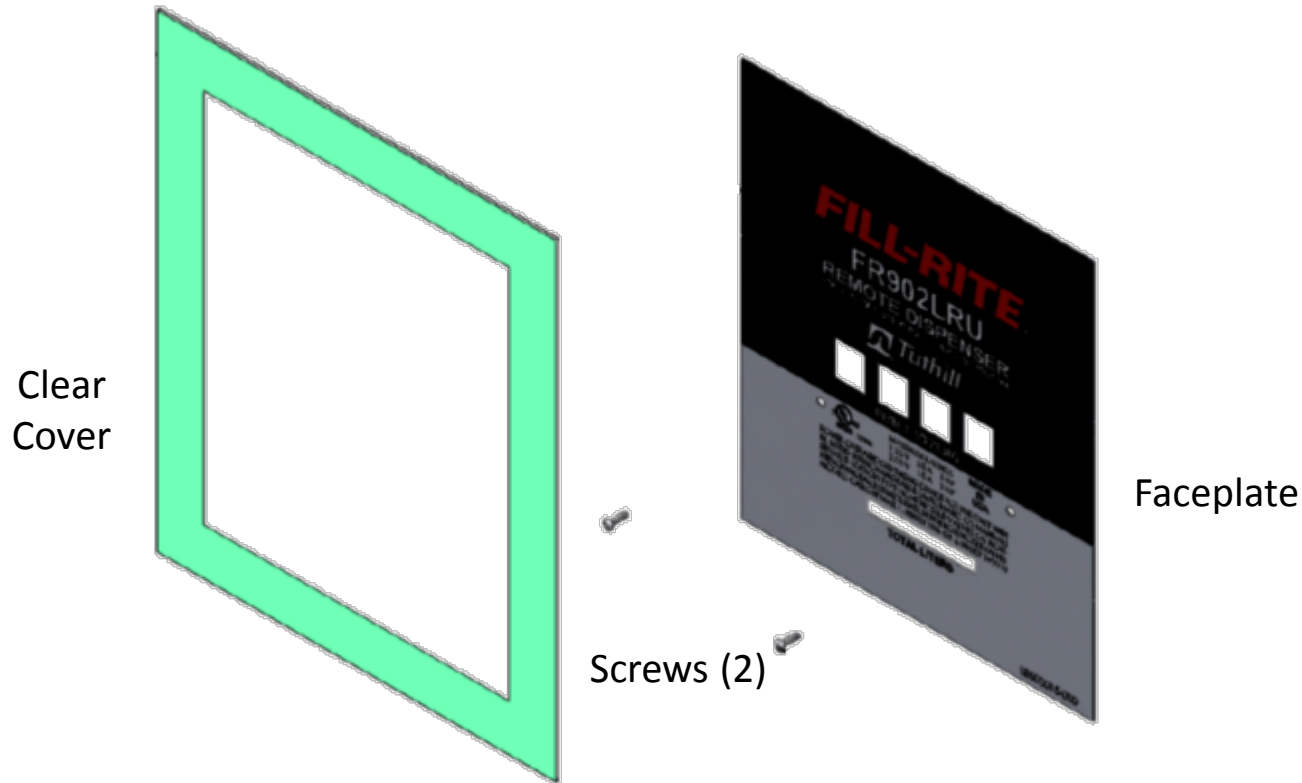
KIT902LRFP – FR902CLR Faceplate

- Used on the FR902CLR mechanical meter cabinet.



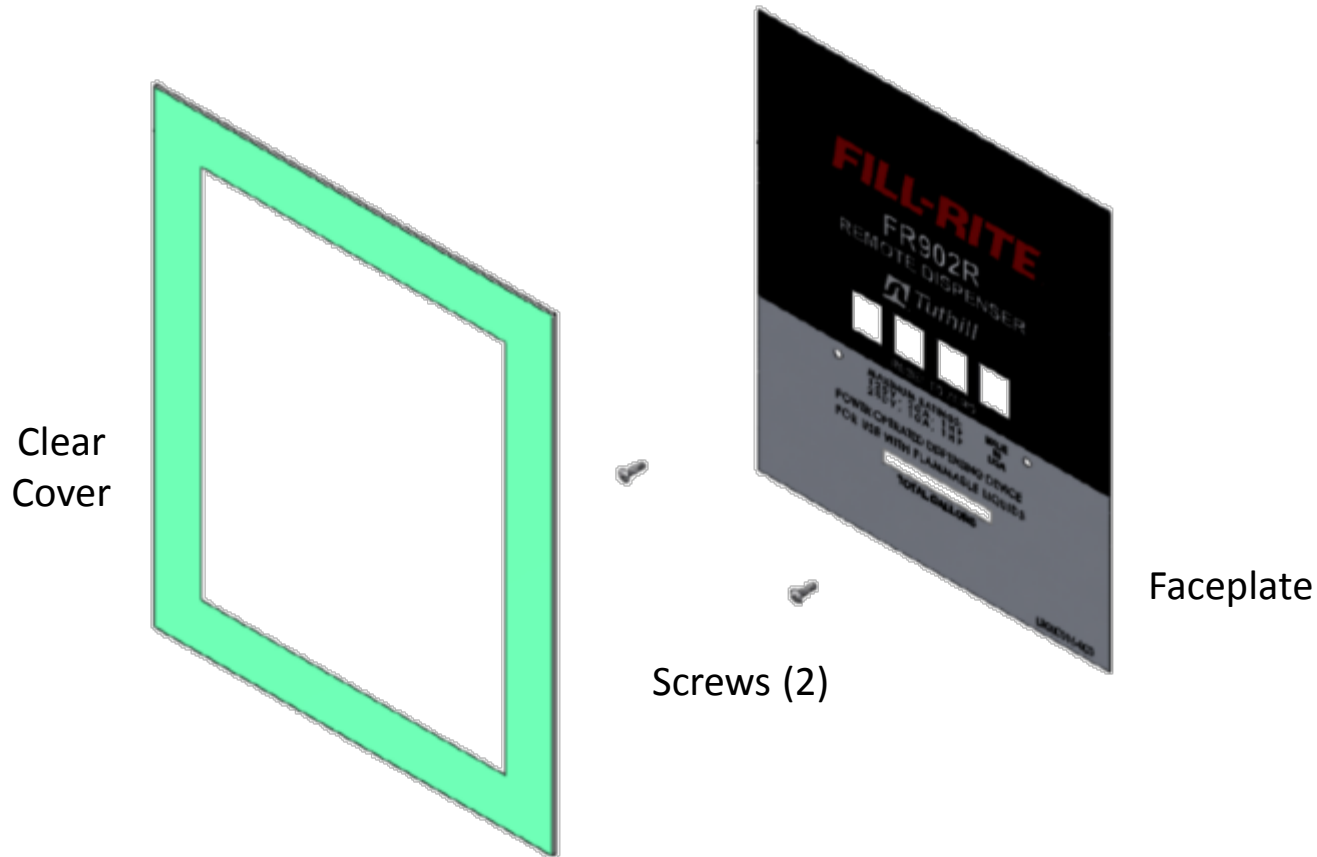
KIT902LRUFP – FR902CLRU Faceplate

- Used on the FR902CLRU mechanical meter cabinet.



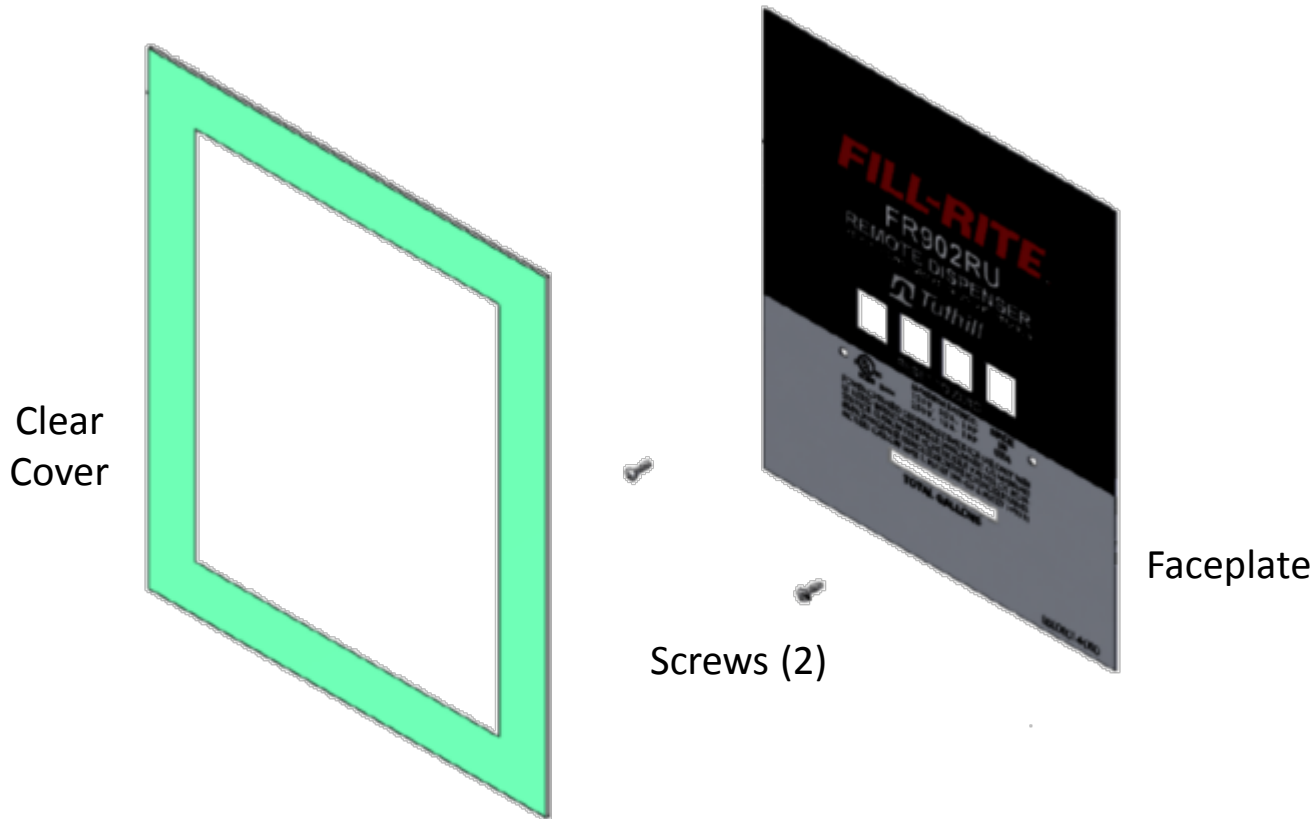
KIT902RFP – FR902CR Faceplate

- Used on the FR902CR mechanical meter cabinet.



KIT902RUF – FR902CRU Faceplate

- Used on the FR902CRU mechanical meter cabinet.

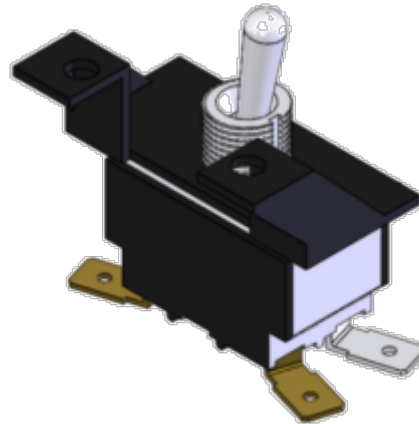


KIT902LS – Line Switch

- Used on the FR902C mechanical meter cabinets.



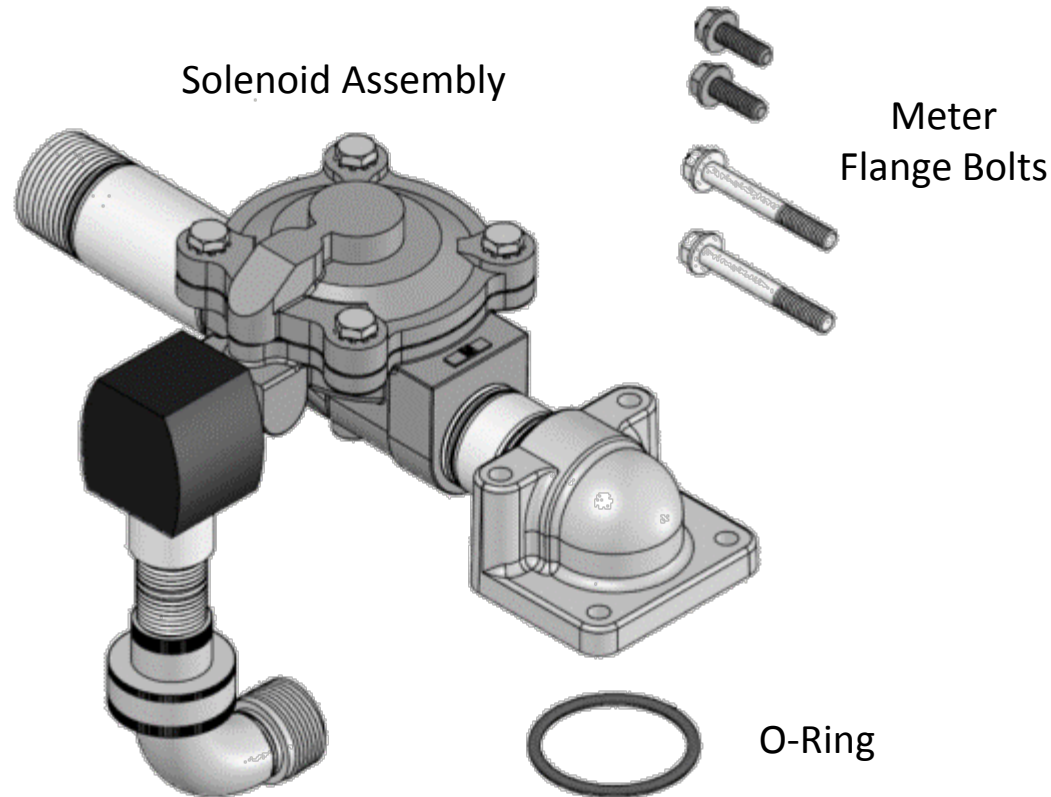
Screws (2)



4 Pole Line
Switch

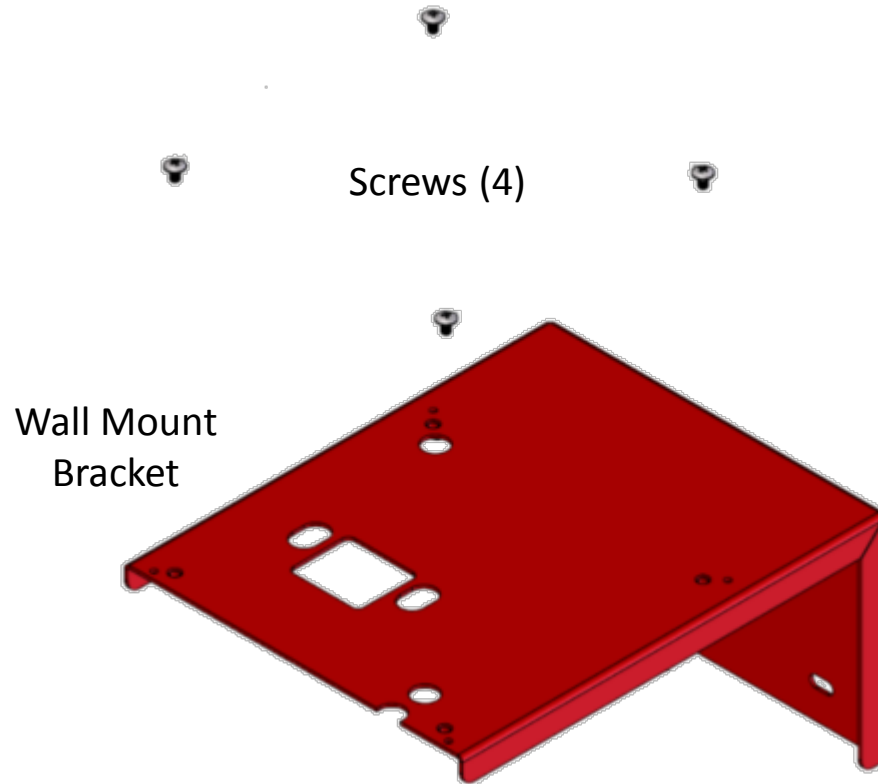
KIT902SV – Replacement Solenoid Valve

- Used on the FR902C UL listed mechanical meter cabinets.



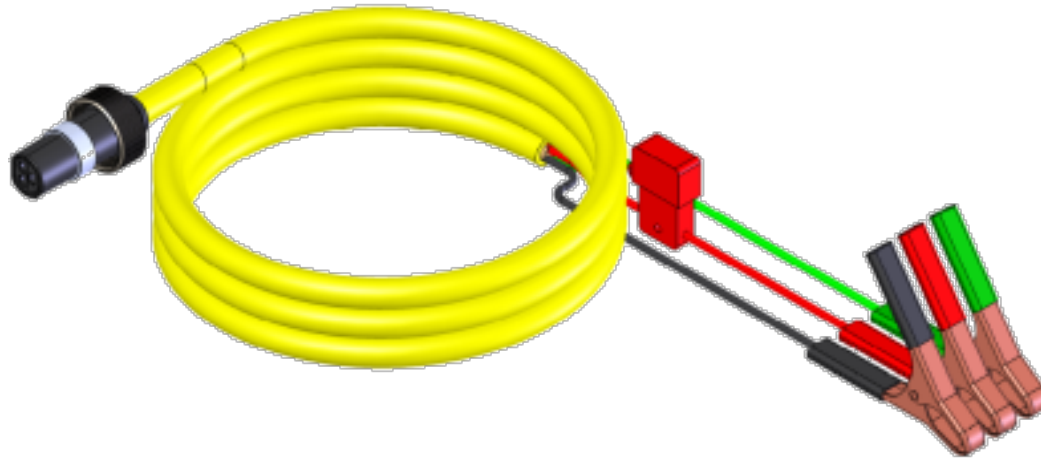
KIT902MB – Wall Mount Bracket

- Used on the FR902C mechanical meter cabinets.



KIT812PC – Power Cable Kit

- Used with the RD8 and RD12 series pumps.



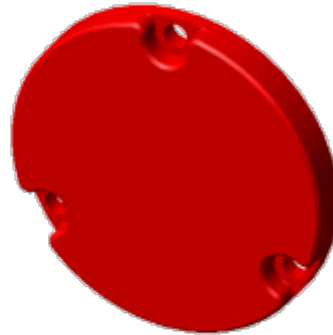
10' Power Cable – Includes 30 Amp Fuse

KIT812RG – 8 GPM Rebuild Kit

- Used with the RD8 series pumps.



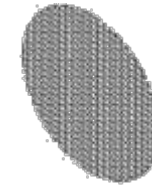
Rotor



Rotor Cover



Flange
Screws (4)



Inlet Screen



Vanes (5)



Rotor Cover
Gasket



Rotor Cover
Screws (3)



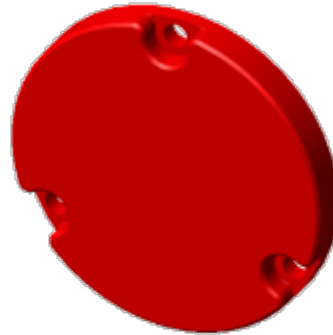
Flange O-
Rings (2)

KIT1212RG – 12 GPM Rebuild Kit

- Used with the RD12 series pumps.



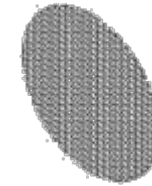
Rotor



Rotor Cover



Flange
Screws (4)



Inlet Screen



Vaness (5)



Rotor Cover
Gasket



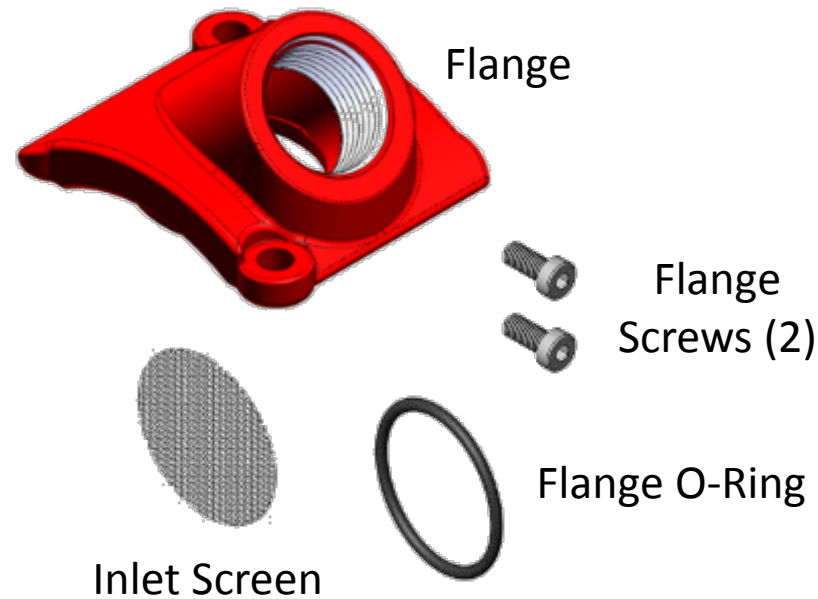
Rotor Cover
Screws (3)



Flange O-
Rings (2)

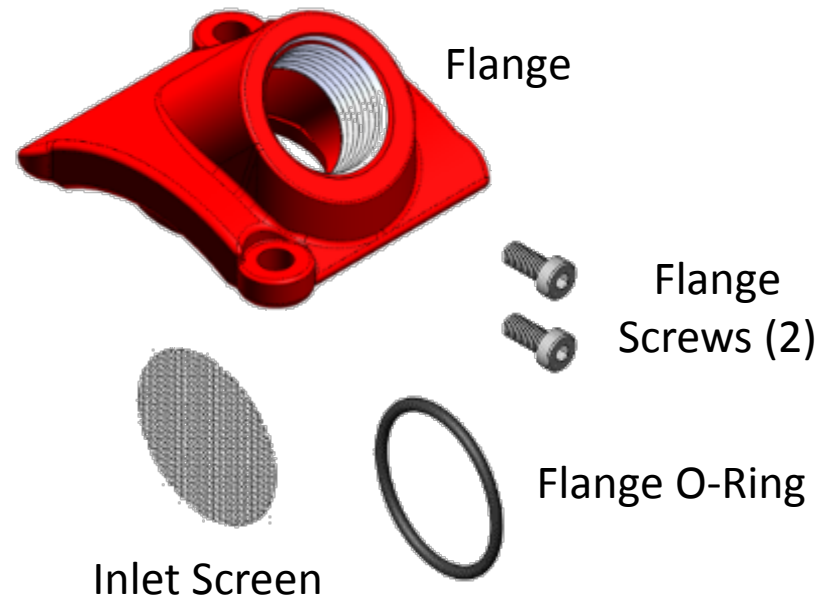
KIT812FL – Single NPT Flange Kit

- Used with the RD8 and FR12 series pumps.
- NPT thread in flange.



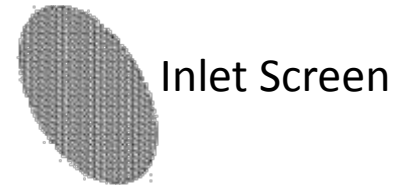
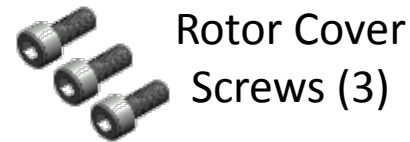
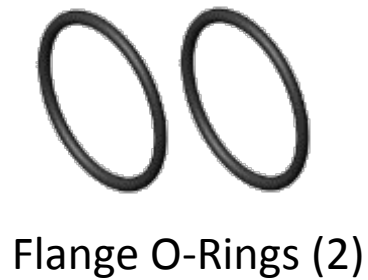
KIT812FLB – Single BSPP Flange Kit

- Used with the RD8 and FR12 series pumps.
- BSPP thread in flange.



KIT812SL – Seal Kit

- Used with the RD8 and RD12 series pumps.



KIT812NH – 8 GPM Hose Kit

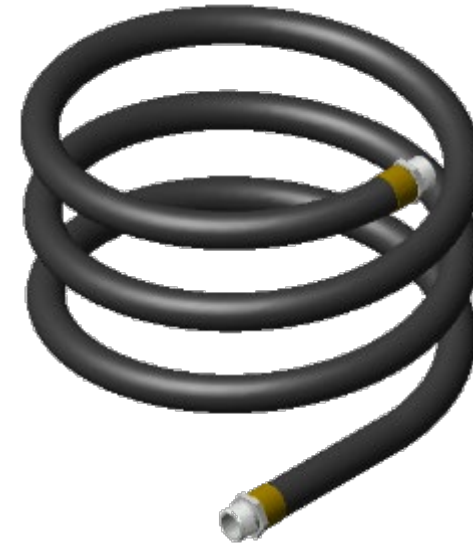
- Used with the RD8 series pumps.



Teflon Tape



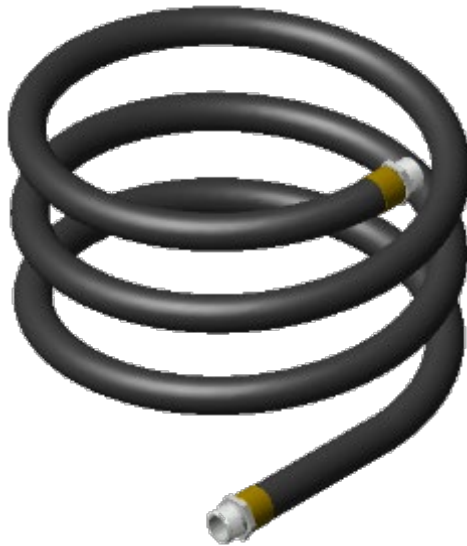
Discharge Hose
Length – 8 Feet
Diameter – 5/8"
Fittings – 3/4" NPT



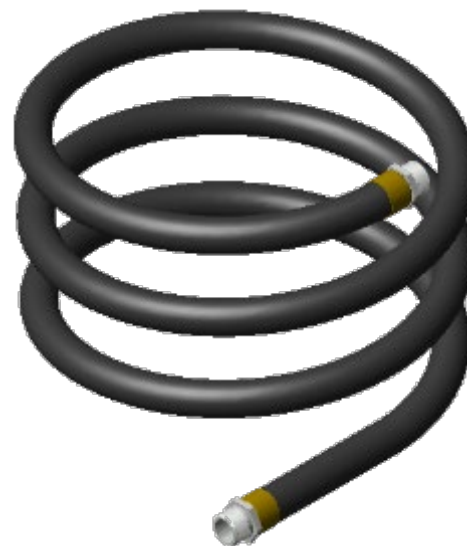
Suction Hose
Length – 6 Feet
Diameter – 3/4"
Fittings – 3/4" NPT

KIT1212NH – 12 GPM Hose Kit

- Used with the RD12 series pumps.



Discharge Hose
Length – 8 Feet
Diameter – $\frac{3}{4}$ "
Fittings – $\frac{3}{4}$ " NPT



Suction Hose
Length – 6 Feet
Diameter – $\frac{3}{4}$ "
Fittings – $\frac{3}{4}$ " NPT

KIT812NP – Bung Mount Kit

- Used with the RD8 and RD12 series pumps.



Telescoping Poly Suction Pipe
23" to 40.5"



Teflon Tape



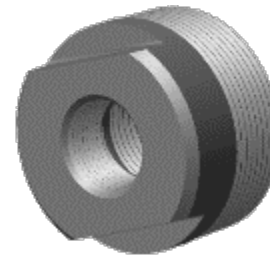
Screws (2)



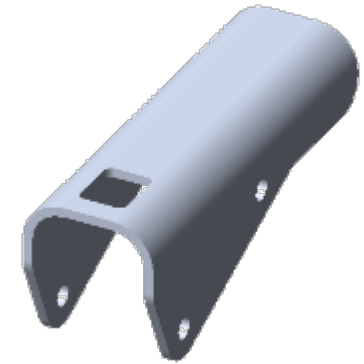
Nuts (2)



$\frac{3}{4}$ " x 2.5"
Pipe Nipple



2" x $\frac{3}{4}$ " x 1"
Double Tap
Bushing



Nozzle Boot

KIT180DTPS – Suction Tube Assembly Kit

- Can be used as a suction tube for the DEF pumps. Is intended to fit into a drum. Threads for the drum are 2" NPT threads.



KIT180MAMPS – DEF KIT

- For use with FRSA, FRSD, and SV Stainless Steel DEF Pumps.
- All threads are $\frac{3}{4}$ " BSPP threads.



SS Tote Mounting
Plate and Hardware



Stainless Steel
Union



6' Hard Wall
Suction Hose



12' Discharge Hose



DEF Automatic
Nozzle



825 Digital Meter

KIT180MAPS – DEF KIT

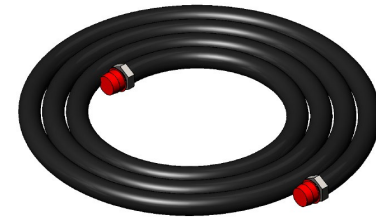
- For use with FRSA, FRSD, and SV Stainless Steel DEF Pumps.
- All threads are $\frac{3}{4}$ " BSPP threads.



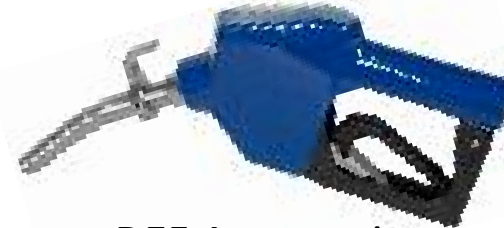
SS Tote Mounting
Plate and Hardware



6' Hard Wall
Suction Hose



12' Discharge Hose



DEF Automatic
Nozzle

KIT180MPPS – DEF KIT

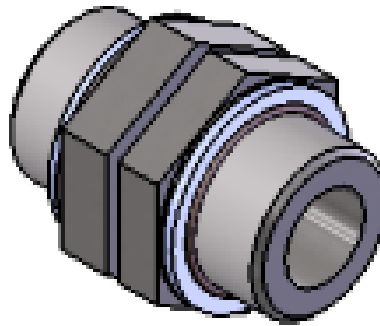
- For use with FRSA, FRSD, and SV Stainless Steel DEF Pumps.

SS Tote Mounting
Plate and Hardware



KIT180SP – ¾" SS Union Kit

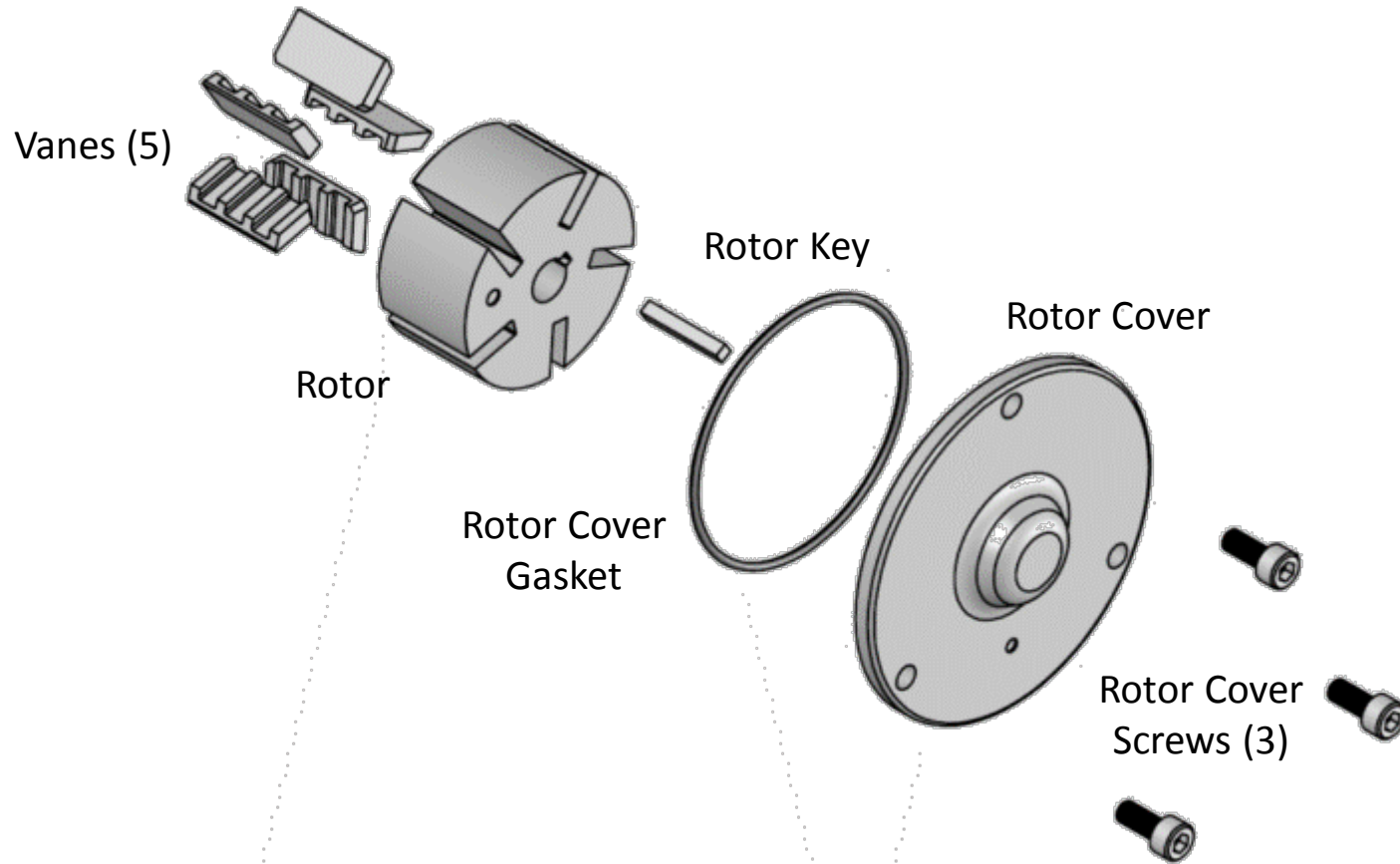
- For use with FRSA, FRSD, and SV Stainless Steel DEF Pumps.



Stainless Steel
Union

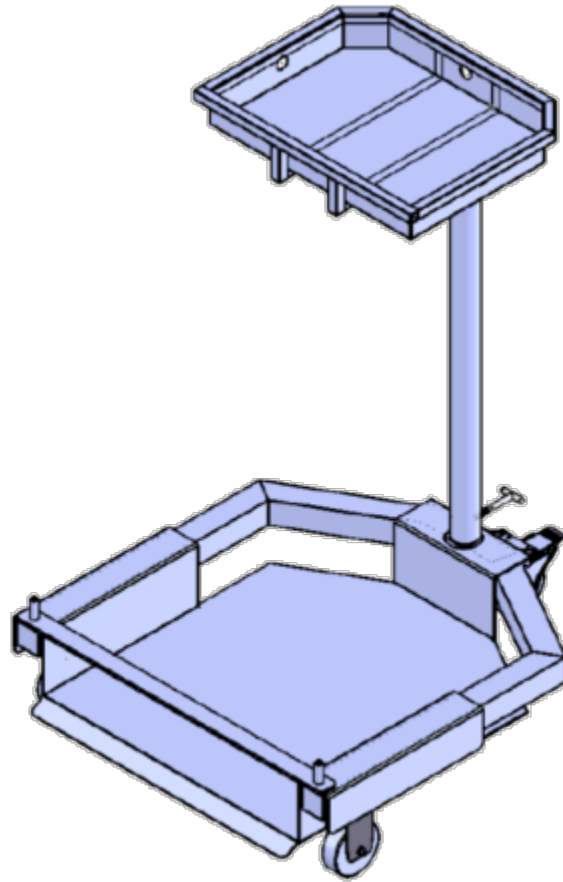
KITFR32V – SS DEF Pump Rebuild Kit

- For use with FRSA, FRSD, and SV Stainless Steel DEF Pumps.



KITFR55DU – 55 Gallon Drum Stand

- For use with FRSA, FRSD, and SV Stainless Steel DEF Pumps.



KITHA32V – Hose w/ Ball Valve Tap

- For use with the FRHP32V and FRAP32V.



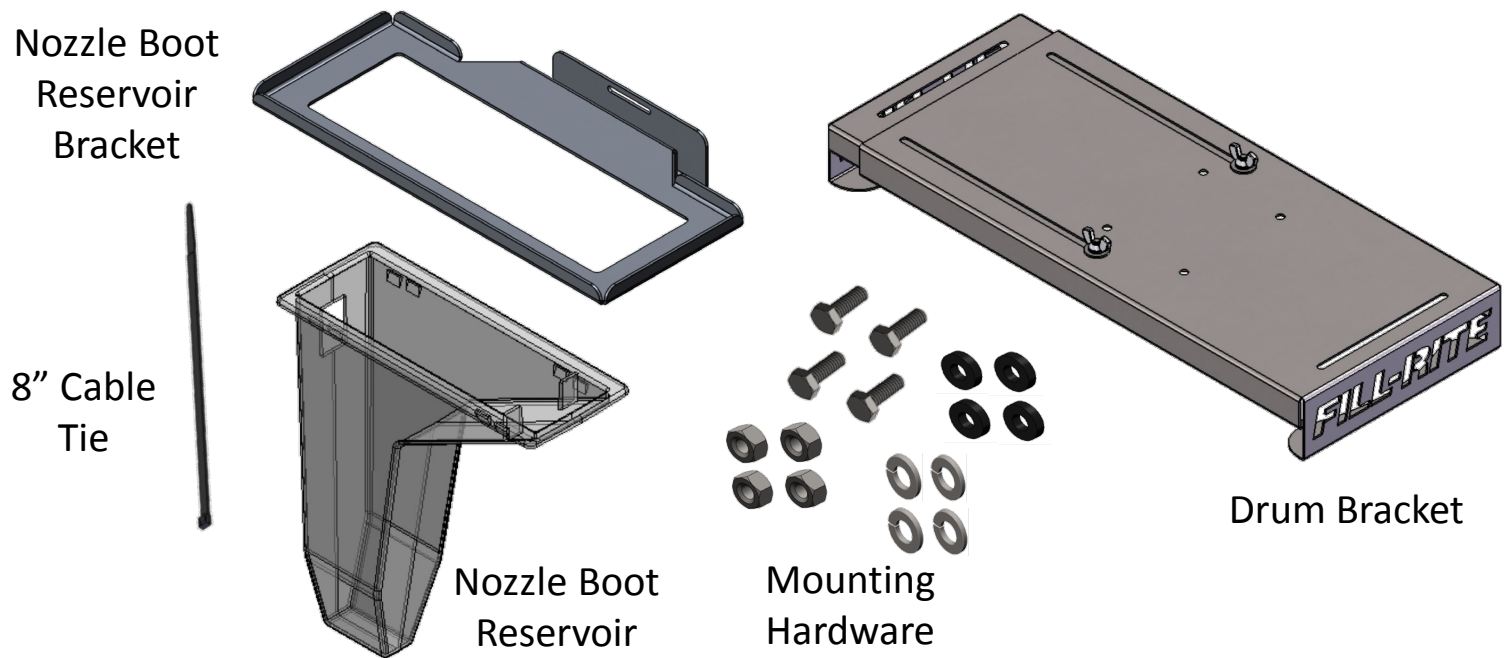
KITHA32VMN – Hose w/ Manual Nozzle

- For use with the FRHP32V and FRAP32V.



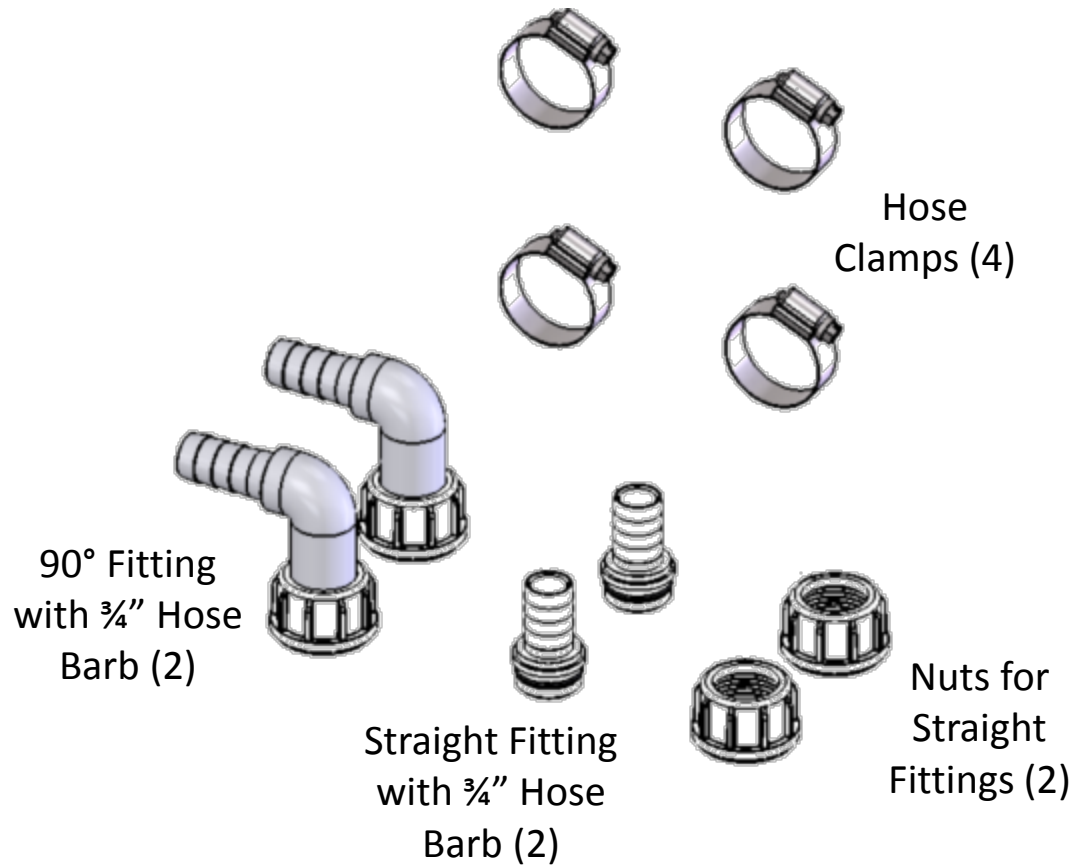
KITDFDB – Drum Bracket

- For use with all DF pumps.



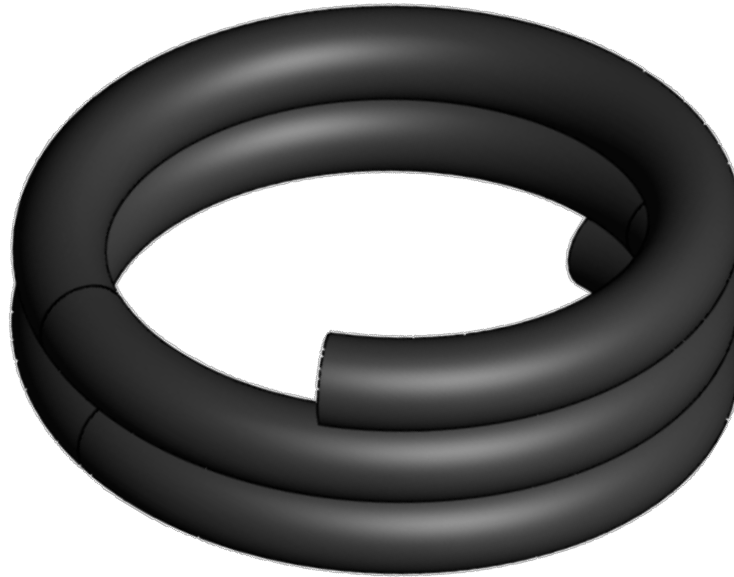
KITDFFK – Fittings

- For use with all DF pumps.



KITDFH05 – Suction Hose

- For use with all DF pumps.



5' x $\frac{3}{4}$ " EPDM
Suction Hose

KITDFH20 – Discharge Hose

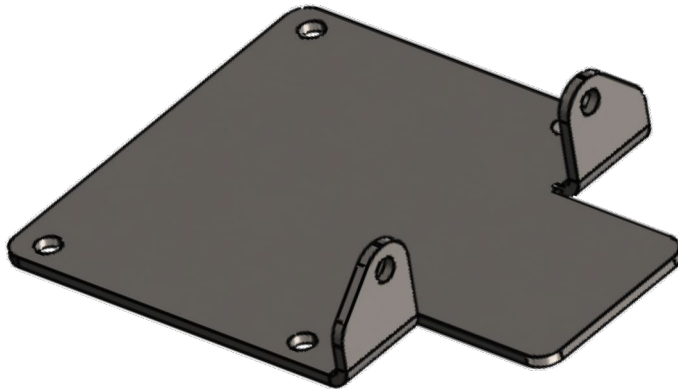
- For use with all DF pumps.



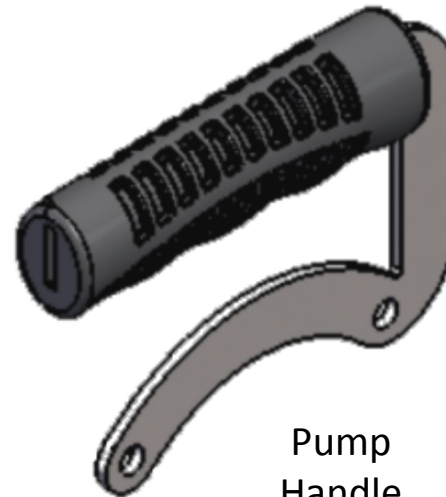
20' x $\frac{3}{4}$ " EPDM
Discharge Hose

KITDFHF – Replacement Handle and Foot

- For use with all DF pumps.



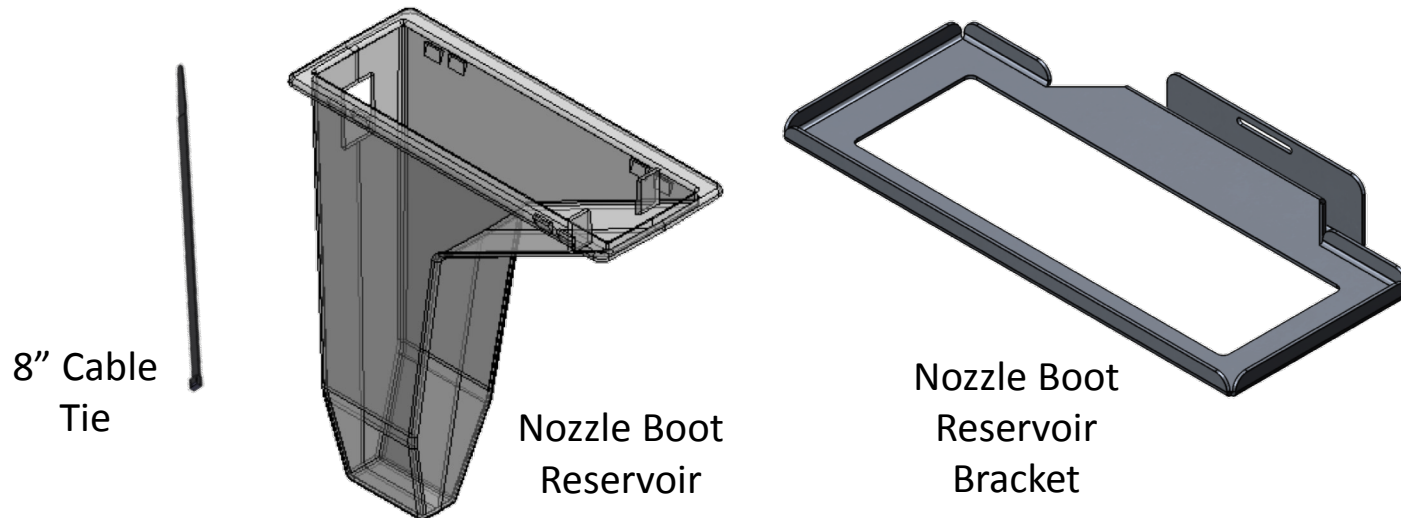
Pump Foot



Pump
Handle

KITDFNB – Nozzle Boot Reservoir

- For use with all DF pumps.



KITDFPK – Spare Parts

- For use with all DF pumps.

