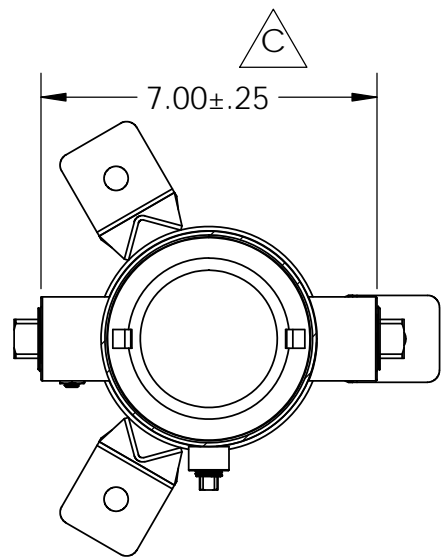
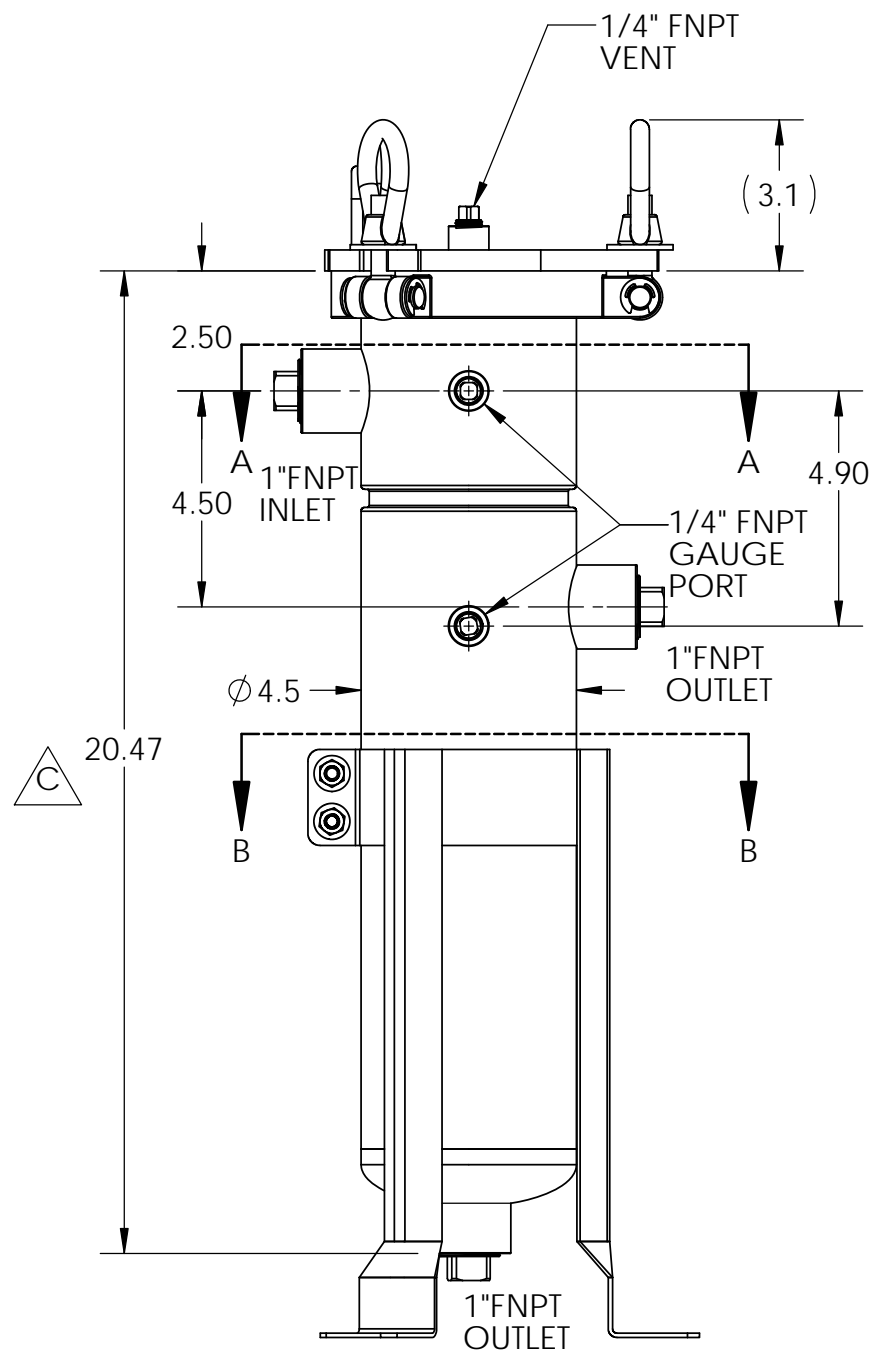
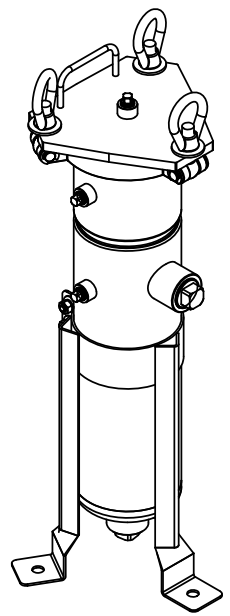
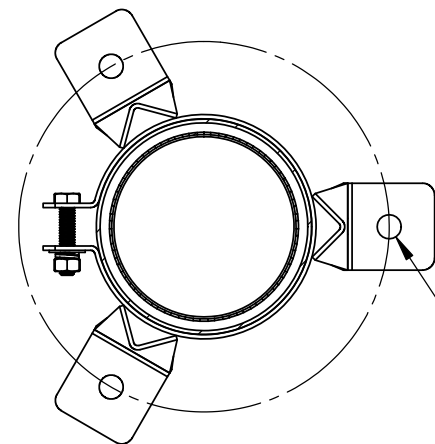


TABULATION			
PART NO.	DESCRIPTION	GLOBAL FILTER MODEL NO.	EPR #
CS108-01	FLTR HSG ASSY, 1" FLG SIBOSO GBFE4 SER, 304 SS	GBFE4121N3430GB	7-16001
CS108-02	FLTR HSG ASSY, 1" FLG SIBOSO GBFE4 SER, 316 SS	GBFE4121N3630GB	7-16538

SHIPPING WEIGHT AND SIZE MAY DIFFER FROM STATED VALUES DUE TO PALLETIZING AND QUANTITY CONSIDERATIONS		
VESSEL SIZE	BOXED WEIGHT (LBS)	BOX SIZE (INCHES)
SIZE 4	25	11 x 11 x 25



SECTION A-A



SECTION B-B

3x ϕ .50
MOUNTING HOLE
ON ϕ 7.63 B.C.

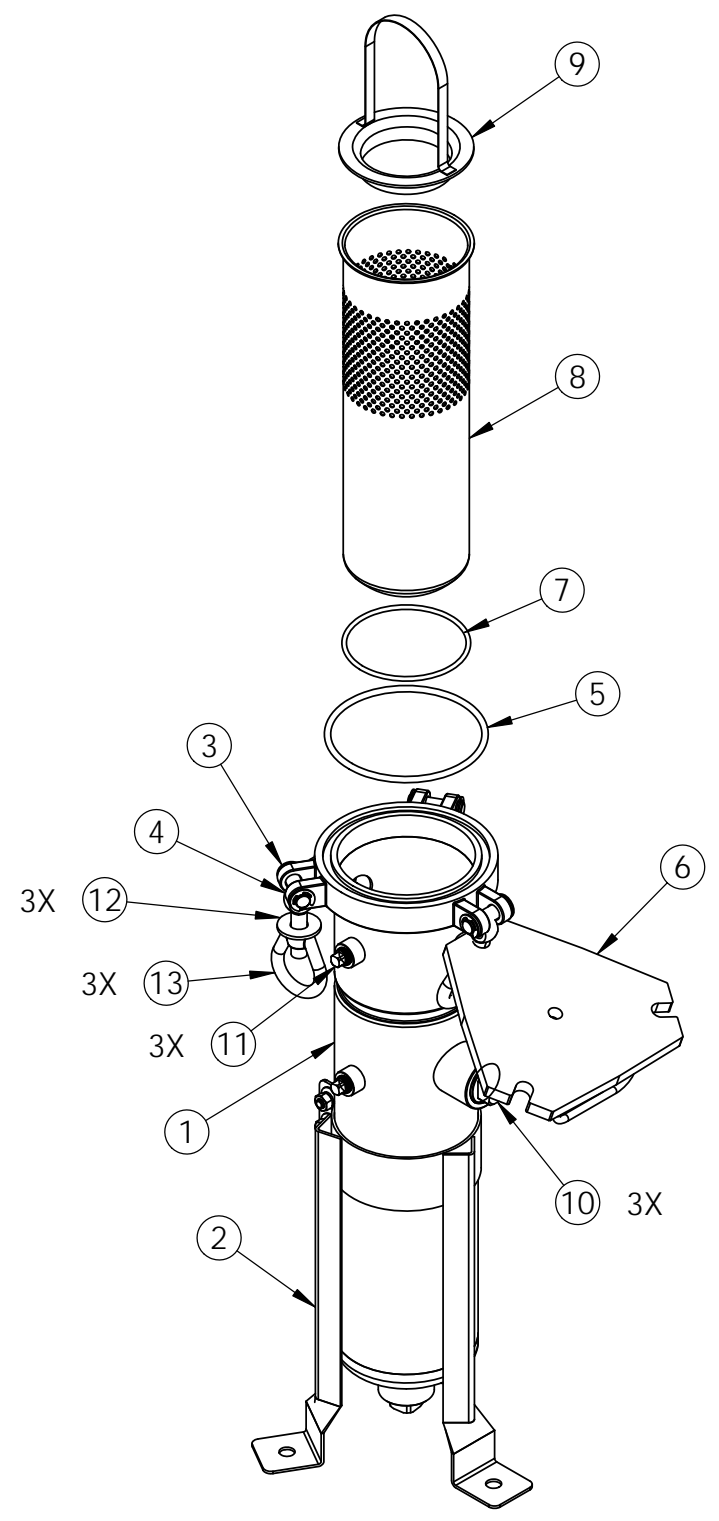
REFERENCE ENGINEERING DRAWING 21119

C	EC170823-01	MATERIAL	SEE TABULATION TABLE	
B	EC160929-01	FINISH	GLASS BEAD	
A	EC150219-02			
REV	EC NUMBER	DRAWN BY	NAME	DATE
		ENG APPR.	EG	3-13-15
EC HISTORY				

GLOBAL FILTER LLC		
TITLE: FLTR HSG ASSY, 1" FNPT SIBOSO GBFE4 SER, TAB		
SIZE B	DWG. NO. CS108	REV C
SCALE: 1:4	WEIGHT:	SHEET 1 OF 2

- NOTES:
 1. SEE SHEET 2 FOR BILL OF MATERIALS.
 2. UNLESS TOLERANCES ARE INDICATED, ALL DIMENSIONS ARE REFERENCE.

PROPRIETARY AND CONFIDENTIAL
 THE INFORMATION CONTAINED IN THIS DRAWING IS THE SOLE PROPERTY OF GLOBAL FILTER LLC. ANY REPRODUCTION IN PART OR AS A WHOLE WITHOUT THE WRITTEN PERMISSION OF GLOBAL FILTER LLC IS PROHIBITED.



BILL OF MATERIALS			
ITEM	DESCRIPTION	CS108-xx	
		-01 QTY	-02 QTY
1	WLDMNT, FLTR HSG, GBFE4 1"FNPT SIBOSO SER, 304 SS	1	
	WLDMNT, FLTR HSG, GBFE4 1"FNPT SIBOSO SER, 316 SS		1
2	LEG ASSEMBLY KIT, GBFE4 SERIES, 304 SS	1	
	LEG ASSEMBLY KIT, GBFE4 SERIES, 316 SS		1
3	15/32" CLEVIS PIN WITH RETAINING RINGS KIT	3	3
4	1/2" x 13 EYE BOLT, 304 SS	3	
	1/2" x 13 EYE BOLT, 316 SS		3
5	O-RING, 120mm ID x 5mm CS, NITRILE 70	1	1
6	LID WELDMENT, GBFE4 SERIES, 304 SS	1	
	LID WELDMENT, GBFE4 SERIES, 316 SS		1
7	O-RING, 95mm ID x 3.6mm CS, NITRILE 70	1	1
8	BASKET, ROUND BOTTOM, SIZE 4, 304 SS	1	
	BASKET, ROUND BOTTOM, SIZE 4, 316 SS		1
9	WELDMENT, BASKET HOLD DOWN, GBFE4, 304 SS	1	
	WELDMENT, BASKET HOLD DOWN, GBFE4, 316 SS		1
10	PIPE PLUG, SQUARE HEAD, 1" FNPT, 304 SS	3	
	PIPE PLUG, SQUARE HEAD, 1" FNPT, 316 SS		3
11	PIPE PLUG, SQUARE HEAD, 1/4" FNPT, 304 SS	3	
	PIPE PLUG, SQUARE HEAD, 1/4" FNPT, 316 SS		3
12	WASHER, 1/2" FLAT, 304 SS	3	
	WASHER, 1/2" FLAT, 316 SS		3
13	EYE NUT, 1/2"-13, 304 SS	3	
	EYE NUT, 1/2"-13, 316 SS		3

SIZE B	DWG. NO. CS108	REV C
SCALE: 1:4	WEIGHT:	SHEET 2 OF 2