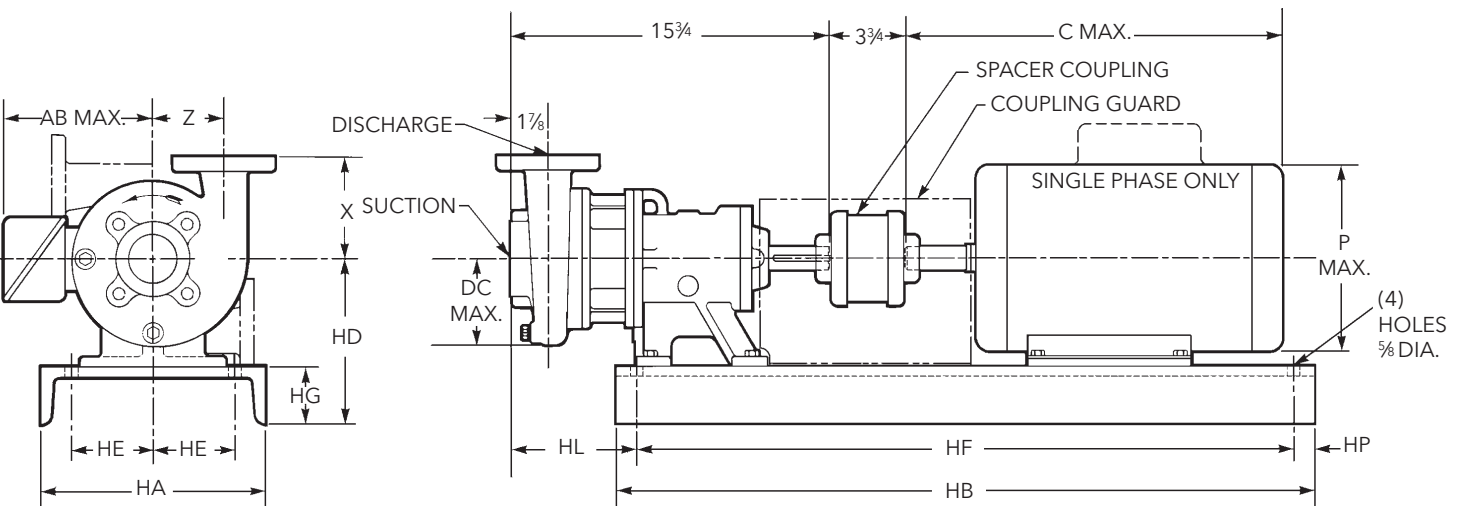


Model 3757 S-Group Dimension Print SECTION 1

STAINLESS STEEL FRAME-MOUNTED CENTRIFUGAL PUMPS

ENGINEERING DATA

Channel Steel Bedplate	Installation Drawing No. 276-22 Rev. 3 10/89	Certified for construction purposes <input type="checkbox"/> For Approval <input type="checkbox"/> For Record
Clockwise Rotation Viewed from Drive End	By	Date



WEIGHTS & DIMENSIONS - DETERMINED BY PUMP

Pump Size	150 lbs.		DC Max.	DD	R	X	Z	Wt. (lbs.)	Dimension "HL" Determined by Pump and Motor					
	Suct.	Disch.							Motor Frame Size					
									140	180	210	250	280	
1½ x 2-6	2	1½	4¼	3 ⅝	2½	5	3½	67	8½	7	3¼			
1½ x 2-8			5¼	4⅝		5½	4¼					82		
2 x 3-7	3	2	5¾	4¾	3	6								

NOTE:

All pumps shipped in vertical discharge position. May be rotated in 90° increments. Tighten ⅜ - 16 casing bolts to 37 ft/lbs. torque.

AVAILABLE MOTOR AND BEDPLATE WEIGHTS AND DIMENSIONS

Motor Frame	HP @ 3500 RPM				HP @ 1750 RPM				AB Max.	C Max.	P Max.	Wt. Max.	Bedplate Data							
	1 Phase		3 Phase		1 Phase		3 Phase						HA	HB	HD	HE	HF	HG	HP*	Wt. (lbs.)
	ODP	TEFC	ODP	TEFC	ODP	TEFC	ODP	TEFC												
143T			1½	1½	1	1	1	1	5¼	13¾	6⅝	45	10	28	8	3¾	24	2¾	¾	48
145T	2	2	3	2	1½	1½	1½ or 2	1½ or 2		14¼										
182T	3	3	5	3	2	2	3	3	16⅝	74										
184T	5	3, 5	7½	5	3 or 5	3	5	5	5⅝	18⅝	7⅞	95								
213T			10	7½			7½, 10	7½	7⅞	18	9⅝	116	12	31	8¼	4¼	29	3	1	65
215T			15	10						19⅝		136								
254T			20	15					10⅝	21⅝	13	266	13	42	10¼	5¼	38½	4	1¾	110
256T			25	20						23⅝		264								
284TS/T			30	25					12⅝	24⅝	15	392	15	44	10½	5¾	40½	3½		124
286TS/T			40	30						26⅝		432								

NOTE: Dimensions and weights vary with manufacturers. Dimensions in inches and weights in lbs. * "HP" Dimensions at motor end only.

Xylem Inc.

2881 East Bayard Street Ext., Suite A, Seneca Falls, NY 13148

Phone: (800) 453-6777 Fax: (888) 322-5877

www.xylem.com/brands/gouldswatertechnology

