

C
10.5"
267



Hannay Reels®
The reel leader.

LP Gas Hose Reels

| Home Delivery Trucks | Dispensing Systems | Fueling Vehicles |
| Filling Stationary and Portable Cylinders |



**You Can't Buy
A Better Reel.**

Family owned and operated since 1933

CONTENTS

Hannay hose reels come in all sizes and capacities.

LP Gas Hose Reels	I.D. Hose Sizes	Page
Hannay Reels Policies – Our Guarantee, Service Policy, Paint Notice, Return Goods Policy		3
Manual or Power Rewind Reels		
Series PB/DPB	1" – 1-1/2"	4-5
Power Rewind Reels		
Series PBGMB/PBGMT	1" – 1-1/2"	6-7
Power Rewind Liquid Reel with Manual Rewind Vapor Reel		
Series PBM	Liquid	1" – 1-1/2"
	Vapor	1/2" – 1"
Spring Rewind Reels		
Series SPBN800/SPB800	3/4" or 1"	9
Accessories		10
Hannay Reels Spec Worksheet		11

Note to Designers and Engineers

The reels shown in this catalog are the standard of the industry.

These models reflect various installation and performance requirements.

The high quality of our **standard steel construction** is only the beginning.

Hannay Reels offers any size configuration to fit a defined space, and we construct many models of reels of **aluminum** or **stainless steel**. Specifically, we use 5000 and 6000 Series aluminum and 304 stainless steel in the manufacture of frames, discs, drums, and internals as well as other structural components. This type of construction eliminates the need for maintenance repainting and part replacement due to rust or corrosion.

Please consult factory on any fuel handling questions.

For the many accessories and components available on our standard reel models such as roller guides, switches, brakes and locks, etc., please refer to our Ordering & Accessory Guide H-0415-OA.



Only one reel sets the standard in the propane delivery industry.

Our reels are created specifically for fuel delivery applications – never retrofitted to the job – so you can expect superior fit and function. We offer thousands of standard reels – or can create custom designs – that are built strong to last long, require minimal maintenance, and provide a lifetime of value.

Often outlasting the vehicles they're on, our reels provide safer operation with:

- Non-sparking ratchet assemblies
- Explosion-proof motors
- Suspended IV reels that allow access on either side of the vehicle

All Hannay LP Gas reels are handcrafted and available in aluminum, stainless steel, e-coated, and painted steel for superior protection against contamination and corrosion in sensitive or caustic environments.

Uses:

- Home delivery vehicles
- Dispensing systems
- Fueling vehicles
- Filling stationary and portable cylinders

Mounting Hole Sizes

N Series Reels	7/16" wide x 7/8" long slot running front to back
Pressed Frame Reels and Channel Framed Reels	7/16" wide x 7/8" long slot running left to right

Hannay Reels **Sales Policies**

Our Guarantee and Service Policy - 2 Year Warranty

Equipment manufactured by Hannay Reels, Inc. is guaranteed for **2 years** from date of shipment when installed according to our instructions, given proper care, and used for the purpose for which it is designed.

Equipment which proves to be defective upon our inspection will be replaced free of charge, including freight to the customer. Our responsibility ceases upon delivery to any common carrier and we do not, unless previously instructed, insure shipments beyond point of delivery to such carrier. No material will be accepted for return without a return goods authorization. No allowance will be made for labor charges incurred in making exchanges, replacements or repairs.

Components (including hose and cable) which are manufactured by other vendors will be subject to the warranty terms of their own manufacturers.

Also excluded from the general guarantee are normal wear items (including seals, motor brushes, and paint finish).

We reserve the right to modify or alter materials, dimensions, design, and construction when necessary to improve the performance of the reel and/or accessories, or to meet delivery requirements.

Failure to use a properly sized circuit breaker with any electric rewind motor will void warranty on motor.

Failure to use a flexible connector with any live hose reel will void warranty on swivel joint.

We expressly disclaim any liability for damage or injuries resulting from the use, operation, service, maintenance or failure of equipment.

Notice on Reel Finish

Standard finish on Hannay reels is a high performance modified acrylic enamel paint. Standard color is metallic graphite. Other colors available at no additional cost include red, white, black, and primer.

Most of the major components on standard reels are e-coated prior to receiving final topcoat paint finish. This combination of e-coat and enamel topcoat will meet the finish requirements of most customer applications and environments.

In cases where requirements cannot be met with the standard finish, Hannay Reels can coat any model reel with an automotive primer, allowing application of final coating at your facility. Alternatively, Hannay Reels can provide a quote for matching a customer-provided paint specification. For further information, please contact your Hannay Reels sales engineer and a special paint request form will be sent to you.

For environments where no paint finish is suitable, we offer both aluminum and stainless steel (304 grade) construction on most reel models.

Return Goods Policy

All Hannay reels are built to order. The parts and components are ordered or placed into production as soon as the order is written.

In order to keep the number of returned goods at a minimum, we ask that you use the Hannay Reels Spec Worksheet and/or Accessory Order Form when specifying reels with us.

Be sure to include any size and/or weight limitations for your installation.

In the event that an item does need to be returned for credit, repair or replacement, prior approval **must** be obtained from Hannay Reels, Inc. Upon your request, we will fax a Return Goods Authorization form. A signed copy of this form must accompany the material when returned to us.

All material must be returned prepaid, unless otherwise noted on our Return Goods Authorization. **No** return will be accepted that has been damaged due to improper return packaging, tampered with or altered from its original condition. **Equipment specially built to customer specifications and requirements is not subject to cancellation or returnable for credit under any conditions.**

Our restocking and handling fee is a MINIMUM of 25% for standard catalog reels and parts.

No material will be accepted for credit when returned without permission. Orders for equipment incorporating variations from catalog listed items are special and are not subject to return.

No allowance will be made for labor or mileage charges incurred in making exchanges, replacements or repairs.

Series **PB/DPB**

To handle single 1" through 1-1/2" I.D. hose.

- Standard hose reel is steel construction, painted graphite. Aluminum or stainless steel construction is available.
- "SB" prefix denotes polished aluminum construction, offering both reduced weight and superior corrosion resistance compared to standard steel construction.
- Series PB are explosion-proof reels.
- Series DPB reel is direct hydraulic drive, eliminating the use of chain and sprockets.
- Choose gear-driven crank rewind, #40 chain and sprocket drive powered by an electric, hydraulic or compressed air motor or direct drive hydraulic rewind motor.
- Crank rewind reels and direct drive reels supplied with pinion brake.
- Power rewind reels (chain and sprocket driven) supplied with a strap brake. Other brake and locking devices may be specified.
- Standard inlet: 90° ball bearing swivel joint, 1-1/2" female NPT threads.
- Standard outlet: flanged riser, 1" female NPT threads. Standard inlet, outlet riser, and hub assembly are steel.
- Other sizes and/or threads can be furnished and must be specified.
- Pressures to 350 psi (24 bar).
- Temperatures from -40°F to +350°F (-40°C to +177°C).
- Consult factory for other pressures and temperatures.
- Chain guard available upon request, must be specified.
- Rollers and roller mounting brackets are accessory items. Specify roller position.



Series PB
Electric rewind shown



Series DPB
Direct drive hydraulic rewind shown
with optional Assembly C rollers

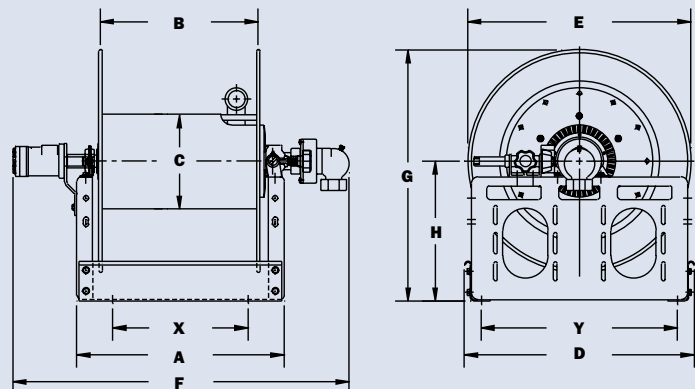
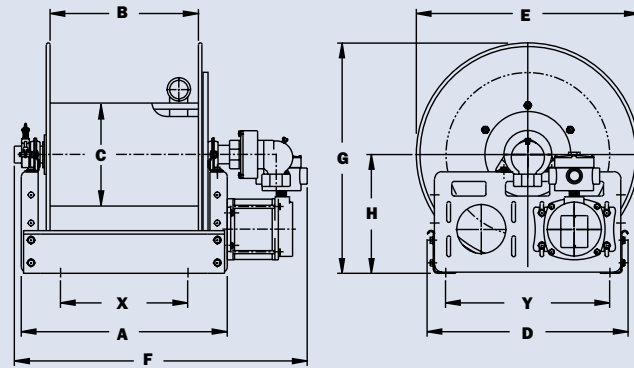
Series PB/DPB

**PARTS DRAWING: ALUM. CONST. PRESSED FRAME – ISO 202; ALUM. SQUARE TUBE FRAME – ISO 204;
STEEL CONST. PRESSED FRAME – ISO 18**

Model Number For Power Rewind see Note 4	Hose Capacity of Reel feet m			Approx. Weight Power Rewind lb. kg				Reel Dimensions*** in. mm										
	I.D. in. mm	1 25	1-1/2 38	Steel		Alum.		A	B	C	D	E	F POWER	F DIRECT DRIVE HYD	G	H	X	Y
		O.D. in. mm	1.5 38	2.16 55	NET	SHIP	NET											
PB24-23-24	125 38	-	142 64	184 83	119 54	160 72	21 533	15.5 394	10.5 267	20.5 521	22.75 578	29.25 743	35.12 892	23.5 597	12.12 308	13 330	16.75 425	
PB30-23-24	150 46	-	155 70	197 89	124 56	165 75	27.5 699	22 559	10.5 267	20.5 521	22.75 578	35.75 908	41.62 1057	23.5 597	12.12 308	19.5 495	16.75 425	
PB26-25-26	150 46	-	155 70	197 89	137 62	178 81	23 584	17.5 445	10.5 267	25.5 648	24.75 629	31 787	37 940	27.88 708	15.5 394	15 381	21.75 552	
PB28-25-26	200 61	-	163 74	205 93	157 71	198 90	25.5 648	20 508	10.5 267	25.5 648	24.75 629	33.75 857	39.62 1006	27.88 708	15.5 394	17.5 445	21.75 552	
PB22-30-31	250 76	-	158 71	208 94	130 59	175 79	19 483	13.5 343	10.5 267	25.5 648	28.75 730	27.25 692	33.12 841	29.88 759	15.5 394	11 279	21.75 552	
PB18-33-34	200 61	-	157 71	207 94	146 66	194 89	14.5 368	9.5 241	10.5 267	31.5 800	31.75 806	23.75 603	29.12 740	33.62 854	17.75 451	7 178	27.75 705	
PB24-25-26-15.5	-	50 15	160 64	202 91	133 60	174 79	21 533	15.5 394	15.5 394	25.5 648	24.75 629	29.25 743	-	27.88 708	15.5 394	13 330	21.75 552	
PB28-25-26-15.5	-	75 23	173 78	215 97	159 72	200 91	25.5 648	20 508	15.5 394	25.5 648	24.75 629	33.75 857	-	27.88 708	15.5 394	17.5 445	21.75 552	
PB26-30-31-15.5	-	100 30	173 78	215 97	140 63	185 84	23 584	17.5 445	15.5 394	25.5 648	28.75 730	31.25 794	-	29.88 759	15.5 394	15 381	21.75 552	

Notes:

- Specifications subject to change.
- Upon request, reels can be supplied with drum lengths other than shown and with disc sizes in other diameters.
- Dimensions shown for reels up to and including 30-31 disc size reflect pressed frames. Reel sizes ending in (33-34) are built with rollform/ square tubing construction.
- When ordering power rewind models, prefix model number with:
 - A** = Air Rewind—Supplied with control valve and 25" air hose.
 - E** = Explosion-Proof Electric Rewind (2/3 HP) – Supplied with explosion-proof switch, solenoid, and junction box.
 - HD** = Hydraulic Rewind—Not supplied with control valve.
 - D** = Direct Drive Hydraulic Rewind—Not supplied with control valve.
 (When ordering **A**, **HD** & **D** power rewind reels deduct 20 lbs. from ship weight).
- Be sure to check dimensions and weights prior to ordering.**
NOTICE: A flexible connector must be used between the inlet pipe and the inlet swivel joint.
 ***X, Y indicate mounting holes.



Series **PBGMB/PBGMT**

To handle single 1" or 1-1/2" I.D. hose.

- Standard hose reel is steel construction, painted graphite. Aluminum or stainless steel construction is available.
- "SB" prefix denotes polished aluminum construction, offering both reduced weight and superior corrosion resistance compared to standard steel construction.

Both Series

- Choose #40 chain and sprocket drive powered by an electric, hydraulic or compressed air motor or direct drive hydraulic rewind motor.
- Auxiliary crank rewind standard on Series DPB reels. Available on Series PB power rewind reels, at extra cost.
- Direct drive hydraulic rewind reels supplied with pinion brake. Electric powered rewind reels supplied with a strap brake.
- Other brake and locking devices may be specified. (See Ordering & Accessory Guide.)
- Standard inlet: 90° ball bearing swivel joint, 1-1/2" female NPT threads.
- Standard outlet: flanged riser, 1" female NPT threads.
- Standard inlet, outlet riser, hub assembly are steel.
- Other sizes and/or threads can be furnished and must be specified.
- Pressures to 350 psi (24 bar).
- Temperatures from -40°F to +350°F (-40°C to +177°C).
- Consult factory for other pressures and temperatures.
- Chain guard available upon request, must be specified.
- Refer to page 10 for more information on Guidemaster® shown.

Series PBGMB

- The Assembly B bottom wind roller is standard.

Optional Guidemaster® EPS-1 Switch Cover



Hannay Part No. 9917.0201. This cover is designed to protect against moisture and other contaminants and has a durable lanyard to keep the cover securely attached to the switch body.



Series PBGMB with Bottom-Mounted Guidemaster®
Electric rewind shown



Series PBGMT with Top-Mounted Guidemaster®
Standard configuration, electric rewind shown

Series **PBGMB/PBGMT**

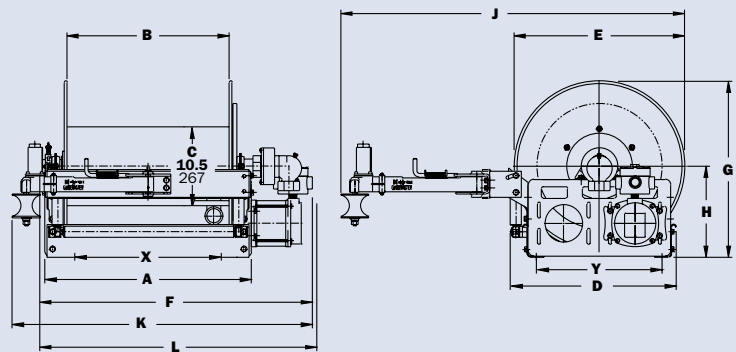
PARTS DRAWING: BOTH SERIES PBGMB and SERIES PBGMT – ISO 202, 204 and ISO 195, 200

Model Number For Power Rewind see Note 3	Hose Capacity of Reel feet m		Approx. Weight Power Rewind lb. kg		Reel Dimensions*** in. mm													
	I.D. in. mm	1 25	NET	SHIP	A	B	D	E	F	F	G	H	J	K	L	M	X	Y
	O.D. in. mm	1.5 38			POWER	DIRECT DRIVE HYD												
PBGMB 24-23-24	125	160	185	21	15.5	20.5	22.75	29.25	35.12	23.5	12.12	49	36.75	30	–	13	16.75	
	38	73	84	533	394	521	578	743	892	597	308	1245	933	762	–	330	425	
PBGMB 30-23-24	150	170	200	27.5	22	20.5	22.75	35.75	41.62	23.5	12.12	49	36.75	36.75	–	19.5	16.75	
	46	77	91	699	559	521	578	908	1057	597	308	1245	933	933	–	495	425	
PBGMB 26-25-26	150	185	215	23	17.5	25.5	24.75	31.25	37.12	27.88	15.5	47.75	37.75	31	–	15	21.75	
	46	84	98	584	445	648	629	794	943	708	394	1213	959	787	–	381	552	
PBGMB 28-25-26	200	191	221	25.5	20	25.5	24.75	33.75	39.62	27.88	15.5	47.75	39	34.75	–	17.5	21.75	
	61	87	100	648	508	648	629	857	1006	708	394	1213	991	883	–	445	552	
PBGMB 22-30-31	250	188	238	19	13.5	25.5	28.75	27.25	33.12	29.88	15.5	52.25	35.75	29	–	11	21.75	
	76	85	108	483	343	648	730	692	841	759	394	1327	908	737	–	279	552	
PBGMB 18-33-34	200	175	225	14.5	9.5	31.5	31.75	23.75	29.12	33.62	17.75	56.75	33.5	26.75	–	7	27.75	
	61	79	102	368	241	800	806	603	740	854	451	1441	851	679	–	178	705	
PBGMT 24-23-24	125	168	193	21	15.5	20.5	22.75	29.25	35.12	29.5	12.12	33	36.75	30	31.5	13	16.75	
	38	76	88	533	394	521	578	743	892	749	308	838	933	762	800	330	425	
PBGMT 30-23-24	150	178	208	27.5	22	20.5	22.75	35.75	41.62	29.5	12.12	33	40.62	36.75	31.5	19.5	16.75	
	46	81	94	699	559	521	578	908	1057	749	308	838	1032	933	800	495	425	
PBGMT 26-25-26	150	193	223	23	17.5	25.5	24.75	31.25	37.12	32.88	15.5	33.25	37.75	31	37.25	15	21.75	
	46	88	101	584	445	648	629	794	943	835	394	845	959	787	946	381	552	
PBGMT 28-25-26	200	181	211	25.5	20	25.5	24.75	33.75	39.62	33	15.5	34	39	34.75	35	17.5	21.75	
	61	82	96	648	508	648	629	857	1006	838	394	864	991	883	889	445	552	
PBGMT 22-30-31	250	196	246	19	13.5	25.5	28.75	27.25	33.12	36.13	15.5	35.5	35.75	29	42.5	11	21.75	
	76	88	112	483	343	648	730	692	841	918	394	902	908	737	1080	279	552	
PBGMT 18-33-34	200	183	233	14.5	9.5	31.5	31.75	23.75	29.12	38.375	17.75	37	38.38	26.38	44.75	7	27.75	
	61	83	106	368	241	800	806	603	740	975	451	940	975	670	1137	178	705	

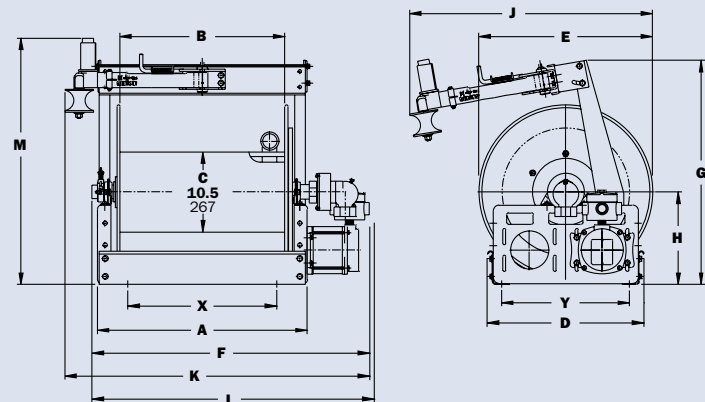
Notes:

- Specifications subject to change.
 - Upon request, reels can be supplied with drum lengths other than shown and with disc sizes in other diameters.
 - When ordering power rewind models, prefix model number with:
 - A** = Air Rewind–Supplied with control valve and 25" air hose.
 - E** = Explosion-Proof Electric Rewind (2/3 HP)–Supplied with explosion-proof switch, solenoid, and junction box.
 - HD** = Hydraulic Rewind–Not supplied with control valve.
 - D** = Direct Drive Hydraulic Rewind–Not supplied with control valve.

(When ordering **A, HD & D** power rewind reels deduct 20 lbs. from ship weight).
 - Dimension "J" is maximum, with Guidemaster® in operating position. Dimension "K" is maximum, with Guidemaster® in traveling position opposite rewind motor, as shown in dimensional drawing.
Dimension "L" is maximum, with Guidemaster® in traveling position on same side as rewind motor.
 - Guidemaster® weight is approximately 21 lbs. Guidemaster® is shipped as parts.
 - Be sure to check dimensions and weights prior to ordering.**
 - Consult factory for reels using 1-1/2" I.D. hose.
- NOTICE:** A flexible connector must be used between the inlet pipe and the inlet swivel joint.
***X, Y indicate mounting holes.



Series PBGMB



Series PBGMT

Series PBM

To handle 1" through 1-1/2" I.D. liquid hose and 1/2" through 1" I.D. vapor hose.

- Standard hose reel is steel construction, painted graphite. Aluminum or stainless steel construction is available.
- "SB" prefix denotes polished aluminum construction, offering both reduced weight and superior corrosion resistance compared to standard steel construction.
- Gear-driven crank on vapor reel.
- #40 chain and sprocket drive powered by an electric, hydraulic or compressed air motor liquid reel.
- Pinion shaft brake standard.
- Other locking devices may be specified.
- Standard inlet: 90° ball bearing swivel joint, 1-1/2" female NPT threads.
- Manual rewind reel: 1" female NPT 90° ball bearing swivel joint.
- Liquid reel: flanged riser, 1" female NPT threads.
- Vapor reel: riser, 1" female NPT threads.
- Standard inlet, outlet riser, and hub assembly are steel.
- Other sizes and/or threads can be furnished and must be specified.
- Rollers and roller mounting brackets are accessory items. Specify roller position.
- Pressures to 350 psi (24 bar).
- Temperatures from -40°F to +350°F (-40°C to +177°C).
- Consult factory for other pressures and temperatures.
- Chain guard available upon request, must be specified.



Series PBM
Top wind configuration,
electric rewind shown

PARTS DRAWING – ISO 123

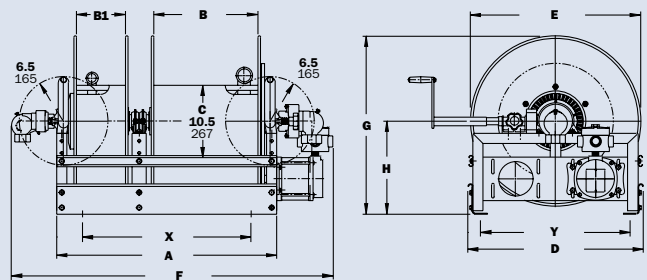
Model Number For Power Rewind see Note 3	Hose Capacity of Reel feet m				Approx. Weight lb. kg		Reel Dimensions*** in. mm										
	I.D. in. mm	Liquid Reel		Vapor Reel		NET	SHIP	A	B	B1	D	E	F POWER	G	H	X	Y
		1 25	1/2 13	3/4 19	1 25												
PBM 24-16-23-24	125	175	80	75	173	218	32	15.5	7.5	23.75	23	46.25	23.88	12.5	24.5	20	
	38	53	24	23	78	99	813	394	191	603	584	1175	607	318	622	508	
PBM 30-16-23-24	150	175	80	75	274	319	38.5	22	7.5	23.75	23	52.75	23.88	12.5	31	20	
	46	53	24	23	124	145	978	559	191	603	584	1340	607	318	787	508	
PBM 28-16-25-26	200	225	100	75	279	324	36.5	20	7.5	25.5	24.75	50.75	25.88	13.5	29	21.75	
	61	69	30	23	127	147	927	508	191	648	629	1289	657	343	737	552	

Notes:

1. Specifications subject to change.
2. Upon request, reels can be supplied with drum lengths other than shown and with disc sizes in other diameters.
3. When ordering power rewind models, prefix model number with:
 - A** = Air Rewind–Supplied with control valve and 25" air hose.
 - E** = Explosion-Proof Electric Rewind (2/3 HP)–Supplied with explosion-proof switch, solenoid, and junction box.
 - HD** = Hydraulic Rewind–Not supplied with control valve.
 (When ordering **A, HD & D** power rewind reels deduct 20 lbs. from ship weight).
4. **Be sure to check dimensions and weights prior to ordering.**

NOTICE: A flexible connector must be used between the inlet pipe and the inlet swivel joint.

***X, Y indicate mounting holes.



Series **SPBN800/SPB800**

To handle 3/4" or 1" I.D. hose.

- Standard hose reel is steel construction, painted graphite. Stainless steel construction is available.
- **SPB800 only:** Aluminum construction is also available. "SB" prefix denotes polished aluminum construction, offering both reduced weight and superior corrosion resistance compared to standard steel construction.
- Rollformed frame for heavy-duty applications must be specified.
- Non-sparking ratchet locks reel.
- Declutching arbor to prevent damage from reverse winding.
- Standard inlet: 90° ball bearing swivel joint, 1" female NPT threads.
- Standard outlet: 1" female NPT threads.
- Other sizes and/or threads can be furnished and must be specified.
- Pressures to 350 psi (24 bar).
- Temperatures from -40°F to +350°F (-40°C to +177°C).
- Consult factory for other pressures and temperatures.
- Supplied 4-way roller assembly. Specify roller position.



Series SPBN800
Top wind configuration shown



Series SPB800
Standard configuration shown

PARTS DRAWING: SERIES SPBN800 – ISO 81; SERIES SPB800 – ISO 42

Model Number <small>Delete Prefix N for Rollformed Frame</small>	Hose Capacity of Reel feet m				Approx. Weight lb. kg		Roller Assy Supplied on Std. Models	Reel Dimensions*** in. mm															
	I.D. in. mm	1/2 13	3/4 19	1 25	NET	SHIP		A	N/A	B	C	D	E	N/E	F	N/F	G	N/G	H	N/H	N/X	X	Y
	O.D. in. mm	.94 24	1.25 33	1.5 40				9.25	8	4	10.5	18	19.5	20.75	15.5	14	19.75	20	10.38	10.62	8	4.5	15
SPBN816-19-20-10.5J	35	25	15	75	98		N204	9.25	8	4	10.5	18	19.5	20.75	15.5	14	19.75	20	10.38	10.62	8	4.5	15
	11	8	5	34	44			235	203	102	267	457	495	527	394	356	502	508	264	270	203	114	381
SPBN816-23-24-10.5J	50	50	25	87	116		N204	9.25	8	4	10.5	23.25	24.38	23.75	15.5	14	23.88	24	12.5	12.62	8	4.5	20.25
	15	15	8	39	53			235	203	102	267	591	619	603	394	356	607	610	318	321	203	114	514
SPBN816-25-26-10.5B	65	60	35	96	131		N204	9.25	10	4	10.5	25	26.12	25.25	17.63	15.75	25.88	26	13.5	13.62	8	4.5	22
	20	18	11	44	59			235	254	102	267	635	663	641	448	400	657	660	343	346	203	114	559
SPBN818-25-26-10.5B	60	70	50	102	137		N206	11.25	12	6	10.5	25	26.12	25.25	19.63	17.75	25.88	26	13.5	13.62	10	6.5	22
	18	21	15	46	62			286	305	152	267	635	663	641	499	451	657	660	343	346	254	165	559
SPB816-30-31-15.5G	110	75	40	124	159		R204	9.25	-	4	15.5	28.5	30.5	-	17.63	-	31.88	-	17	-	-	4.5	25.25
	34	23	12	56	72			235	-	102	394	724	775	-	448	-	810	-	432	-	-	114	641
SPB820-25-26-10.5A	75	85	75	131	166		R308	13.25	-	8	10.5	25	27	-	22.38	-	25.88	-	13.5	-	-	8.5	21.75
	23	26	23	59	75			337	-	203	267	635	686	-	568	-	657	-	343	-	-	216	552
SPB820-30-31-15.5A	75	100	100	137	172		R308	13.25	-	8	15.5	28.5	30.5	-	22.38	-	31.38	-	17	-	-	8.5	25.25
	23	30	30	62	78			337	-	203	394	724	775	-	568	-	797	-	432	-	-	216	641

Notes:

1. Specifications subject to change.
2. Others sizes, from standard components, available on request.
3. For optional locations of joint and spring motor placement – consult factory.
4. Be sure to check dimensions and weights prior to ordering.
NOTICE: A flexible connector must be used between the inlet pipe and the inlet swivel joint.
***X, Y indicate mounting holes.

Available Roller Positions



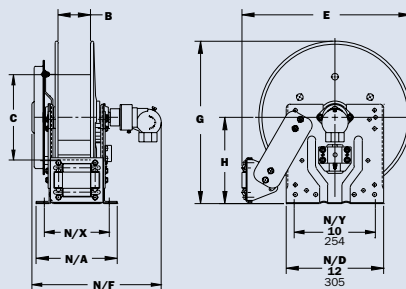
SR (STD)



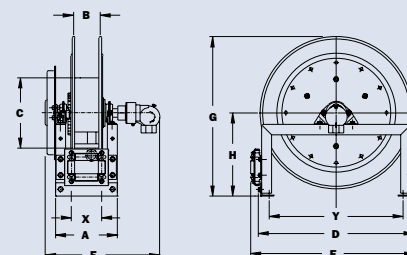
VR (OPT)



TR (OPT)



Series SPBN800 narrow frame



Series SPB800 rollformed frame

Accessories

- GM-700 Guidemaster® • FH-3 Roller and Spool Assembly

GM-700 Guidemaster®

Multiposition hose guide with explosion-proof rewind control

Both models help unwind and rewind hose faster, easier, and with less damage to the hose. Five positive locking positions let the operator pull the hose out and away from sharp corners of cabinet or deck. An explosion-proof, push-button switch in the Guidemaster® handle lets the operator control the rewind motor as he guides the hose on the reel in neat, uniform coils.

Construction: Cast aluminum alloy housing, stamped steel pivot plate. Polished aluminum alloy rollers turn on ball bearings. Stainless steel spring, components, and fasteners are used in the pivot release mechanism. Six feet of wire is supplied to connect operating switch to the solenoid. Switch has Class 1 (Groups A, B, C, D) and NEMA 4X ratings.

The Guidemaster® can be ordered in 3 ways:

1. Guidemaster® only, supplied with 4 mounting bolts and ready to be attached to your mounting brackets.
2. Guidemaster® and brackets, includes steel mounting bracket, beveled spacers, and fasteners designed for your reel. Ready to install. Specify top- or bottom-wind.
3. Guidemaster® mounting brackets factory installed. Specify top- or bottom-wind.

To Order: For factory installation of mounting bracket, Guidemaster® should be ordered when you order the reel.

When purchasing Guidemaster® for installation on your present reel, give the complete model number and serial number of your reel and the complete part number of the Guidemaster®.

Circuit breaker must be used with all DC electric motors.

Note: This Guidemaster® can be used with reels up to a maximum drum width (or B dimension) of 22". Operates with up to a 2.16" O.D. hose.

GM-700 with EPS-1 switch



EPS-1 Switch Cover



Top-wind (GMT)

Bottom-wind (GMB)

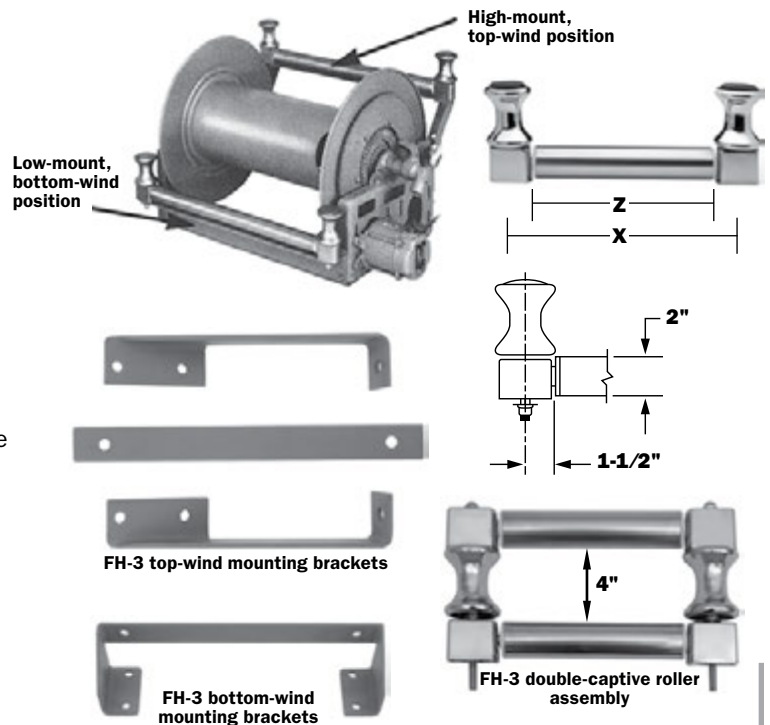
FH-3 Roller and Spool Assembly

Not recommended for hoses larger than 1-1/2" I.D.

Speeds handling and reduces hose wear. Buffed stainless steel rollers resist corrosion, pitting, and abrasion. Polished, chrome-plated spools and blocks add lasting beauty to your equipment. Delrin bearing surfaces assure quiet operation and minimum wear.

Assembly can be factory installed, when specified, or ordered for field installation on reels or other equipment.

To Order: For factory installation, specify FH-3 Assembly and indicate position on reel. As an accessory, specify FH-3 Assembly and give length of roller (Dimension Z), and distance between mounting holes (Dimension X). Mounting brackets are available.



Low-mount, bottom-wind position

High-mount, top-wind position

FH-3 top-wind mounting brackets

FH-3 bottom-wind mounting brackets

FH-3 double-captive roller assembly

Hose Reel **Spec Worksheet**

To specify Hannay reels, fill out this simple form and mail, fax or email it to your dealer.
Photocopy this page or download and print from hannay.com

1. Who is the reel for?

Contact		Date / /	
Company		Position	
Street Address			
City	State	Zip	Country
Phone ()	Fax ()	Email	

2. What is the reel for?

HOSE (check one): Storage only Live Single hose Live Dual hose

Inside diameter:	Hose length:	Bend radius:	Flat hose dimensions:
Outside diameter:	Hose weight:	Coupling spacing:	

Type of product handled live application (check one):

<input type="radio"/> Liquid (specify):	<input type="radio"/> Temperature:	<input type="radio"/> Oxygen/Acetylene:	<input type="radio"/> Other (specify):
<input type="radio"/> Gases (specify):	<input type="radio"/> Pressure:	<input type="radio"/> Hydraulic fluid (specify):	

Fluid path type (check one): Steel (standard) Aluminum Stainless Steel Other

Reel inlet type (check one): Swivel joint 90° (standard) Straight

Reel outlet type (riser): Size:

Thread (check one):	<input type="radio"/> National Pipe Thread (NPT)	<input type="radio"/> Joint Industry Committee (JIC)	<input type="radio"/> Other (specify):
	<input type="radio"/> National Standard Thread (NST)	<input type="radio"/> British Standard Pipe (BSP)	

Indicate your custom specifications

4. Specifying Location of Components

Optional Location of Components:

Location of the inlet, outlet riser, and rewind mechanism can be varied to meet your requirements and **must be specified on your order**. Unless otherwise specified, most reels will be shipped as **Right Top Rewind** with the inlet, outlet riser, and rewind mechanism on the operator's right.



RT - Right Top Rewind
Standard - Always look at your reel from this position to determine right hand or left hand.



RB - Right Bottom Rewind



LT - Left Top Rewind



LB - Left Bottom Rewind

Note: Use component location initials as suffix after model number (ie: EPB24-25-26 LT)

3. What features does the reel need? Check type of rewind:

MANUAL REWIND

Disc rewind (hand over hand) Gear-driven crank Direct crank (permanent or removable) Chain-driven crank

POWER REWIND

Spring Air Electric (voltage): Hydraulic

Type of installation (check one): Floor Wall Overhead Vehicle

Temperature Range: Environment:

Accessories (if any): Hose Stop: Yes No

Roller Assemblies:

Finish: Painted steel (standard) Aluminum Polished Unpolished Stainless steel Polished Unpolished

Check type of installation and roller position for spring reels:

<input type="radio"/> Drag Position SR	<input type="radio"/> Lift Position VR	<input type="radio"/> Stretch (no roller) Position TR	<input type="radio"/> Wall Mount Position TR	<input type="radio"/> Recovery (pick-up) (no roller)
<input type="radio"/> Constant tension available on all roller positions				

5. Please note size and/or weight limitations for your installation

SPECIFICATIONS

Depth: _____

Height: _____

Width: _____

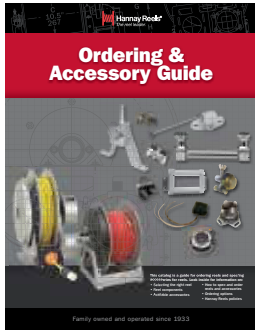
Weight: _____

For custom applications not found in our catalogs, call the Inside Sales Group at 518-797-3791.

You Can't Buy A Better Reel.

Find reels for every need.

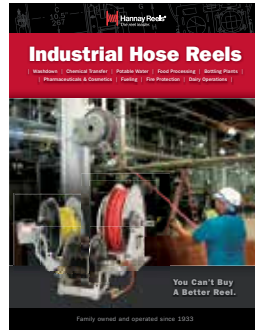
Learn more about all of our reels, including specs, drawings, and even how to select the right reels and accessories for your industry.



Ordering & Accessory Guide

Learn more about:

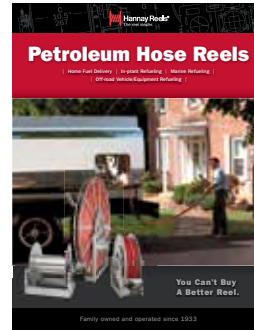
- Selecting the right reel
- Reel components
- Available accessories
- How to spec and order reels and accessories
- Ordering options
- Hannay Reels policies



Industrial Hose Reels

Includes specs and information on:

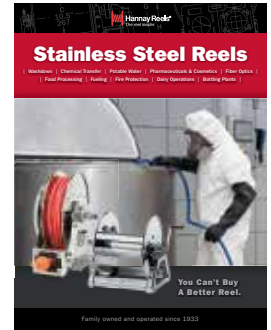
- High pressure spring rewind reels
- Compact manual rewind reels
- Power rewind reels
- Portable storage reels
- Hose assemblies



Petroleum Hose Reels

Comprehensive information on:

- Manual or power rewind reels
- Power rewind reels for inverted installation
- Single wrap power rewind reels
- Guide for inverted installation



Stainless Steel Reels

Details and specs for:

- Spring rewind reels
- Manual rewind reels
- Compact manual rewind reels
- Fuel reels

View all our reel catalogs online at hannay.com



Family owned and operated since 1933, Hannay Reels is the world leader in both OEM and aftermarket applications. Hannay offers thousands of standard hose reel and cable reel models, as well as unmatched custom capabilities. We can easily and affordably customize a reel to meet your exact specifications – built to last, delivered fast. Additional catalogs are available through your local Hannay Reels dealer or online at hannay.com.



553 State Route 143 | Westerlo, New York 12193
Email: reels@hannay.com | hannay.com



All Hannay reels are constructed of quality heavy gauge steel (optional aluminum or stainless steel also available on most models).

Phone: **518-797-3791**
Toll Free: **1-877-467-3357**

Domestic FAX: **1-800-733-5464**
International FAX: **518-797-3259**

Form H-0506-LP WEB 7-17

