

C  
10.5"  
267



**Hannay Reels®**  
The reel leader.

# Stainless Steel Reels

- | Washdown | Chemical Transfer | Potable Water | Pharmaceuticals & Cosmetics | Steam Cleaning |
- | Food Processing | Marine | Fueling | Fire Protection | Dairy Operations | Bottling Plants |



**You Can't Buy  
A Better Reel.**

Family owned and operated since 1933

# CONTENTS

<b>Stainless Steel Reels</b>	<b>I.D. Hose Sizes</b>	<b>Page</b>
Hannay Reels Spec Worksheet		3
<b>Spring Rewind Reels</b>		<b>4-6</b>
Series SSN700	1/4" – 1/2"	4
Series SSN800	3/4" – 1"	5
Series SS800	3/4" – 1"	6
<b>Compact Manual Rewind Reels</b>		<b>7</b>
Series SS1000	1/4" or 3/8"	7
<b>Manual Rewind Reels</b>		<b>8-11</b>
Series SS1500	3/8" – 5/8"	8
Series SS1800	5/8" – 3/4"	9
Series SS3000	3/4" – 1"	10
Series SS4000	3/4" – 1"	11

## Hannay's Stainless Steel Finishes

### Mill Finish (standard)

Smooth dull gray finish as supplied from the mill.

### Satin Finish (optional)

Buffed to a grainy light, non-reflective finish – has a brushed look.

### Polished Finish (optional)

Buffed to give a bright, reflective finish.

**NOTICE:** All reels are available for use with potable water (hub is cleaned, swivel joint includes a food grade lubricant). Customer must state for potable water requirements.



## From washdown to fueling to processing, the only reels you'll need.

For sanitary or harsh conditions, our stainless steel reels are the top choice of OEMs around the world. Numerous industries – including food and beverage, fueling, pharmaceutical and cosmetic, marine and offshore, and dairy – trust our reels because of their resistance to rust and corrosion and the absence of paint, which can chip and contaminate products.

We offer more models and custom designs than any other reel manufacturer to meet a variety of needs, applications, installations, and functions. Every reel we build is created for the industry it will be used in – never retrofitted to the job. That means you can trust Hannay Reels to provide perfect fit and function for years to come.

### Uses:

- Washdown
- Potable water
- Fueling
- Chemical transfer
- Food ingredient transfer
- Fire protection

We manufacture our stainless steel reels to industrial-duty design and construction standards using fine grade 304 stainless steel frames, discs and drums, and stainless internals. Because of their exceptional quality, they require only minimal routine maintenance and will not rust, corrode or break down even in the harshest conditions.

### Mounting Hole Sizes

<b>N Series Reels</b>	7/16" wide x 7/8" long slot running front to back
<b>Pressed Frame Reels and Square Tubing Framed Reels</b>	7/16" wide x 7/8" long slot running left to right
<b>Series 1000</b>	7/16" wide x 1-7/16" long slot
<b>Series 1500, 1800, 4000</b>	13/32" round holes

# Hose Reel **Spec Worksheet**

To specify Hannay reels, fill out this simple form and mail, fax or email it to your dealer.  
Photocopy this page or download and print from hannay.com

## 1. Who is the reel for?

Contact		Date / /	
Company		Position	
Street Address			
City	State	Zip	Country
Phone ( )	Fax ( )	Email	

## 2. What is the reel for?

**HOSE** (check one):  Storage only  Live Single hose  Live Dual hose

Inside diameter:	Hose length:	Bend radius:	Flat hose dimensions:
Outside diameter:	Hose weight:	Coupling spacing:	

### Type of product handled live application (check one):

<input type="radio"/> Liquid (specify):	<input type="radio"/> Temperature:	<input type="radio"/> Oxygen/Acetylene:	<input type="radio"/> Other (specify):
<input type="radio"/> Gases (specify):	<input type="radio"/> Pressure:	<input type="radio"/> Hydraulic fluid (specify):	

**Fluid path type (check one):**  Steel (standard)  Aluminum  Stainless Steel  Other

**Reel inlet type (check one):**  Swivel joint 90° (standard)  Straight

**Reel outlet type (riser):** Size:

<b>Thread (check one):</b>	<input type="radio"/> National Pipe Thread (NPT)	<input type="radio"/> Joint Industry Committee (JIC)	<input type="radio"/> Other (specify):
	<input type="radio"/> National Standard Thread (NST)	<input type="radio"/> British Standard Pipe (BSP)	

## 3. What features does the reel need? Check type of rewind:

**MANUAL REWIND**

Disc rewind (hand over hand)  Gear-driven crank  Direct crank (permanent or removable)  Chain-driven crank

**POWER REWIND**

Spring  Air  Electric (voltage):  Hydraulic

**Type of installation (check one):**  Floor  Wall  Overhead  Vehicle

Temperature Range: Environment:

Accessories (if any): Hose Stop:  Yes  No

Roller Assemblies:

**Finish:**  Painted steel (standard)  Aluminum  Polished  Unpolished  Stainless steel  Polished  Unpolished

### Check type of installation and roller position for spring reels:

Drag Position SR  Lift Position VR  Stretch (no roller) Position TR  Wall Mount Position TR  Recovery (pick-up) (no roller)

Constant tension available on all roller positions

Indicate your custom specifications

## 4. Specifying Location of Components

### Optional Location of Components:

Location of the inlet, outlet riser, and rewind mechanism can be varied to meet your requirements and **must be specified on your order**. Unless otherwise specified, most reels will be shipped as **Right Top Rewind** with the inlet, outlet riser, and rewind mechanism on the operator's right.



**RT - Right Top Rewind**  
Standard - Always look at your reel from this position to determine right hand or left hand.



**RB - Right Bottom Rewind**



**LT - Left Top Rewind**



**LB - Left Bottom Rewind**

**Note:** Use component location initials as suffix after model number (ie: SS3020-25-26 RT)

## 5. Please note size and/or weight limitations for your installation

SPECIFICATIONS

Depth: \_\_\_\_\_

Height: \_\_\_\_\_

Width: \_\_\_\_\_

Weight: \_\_\_\_\_

**For custom applications not found in our catalogs, call the Inside Sales Group at 518-797-3791.**

# Series **SSN700**

- Lubrication • Potable Water • Chemical Transfer
- Washdown • Corrosive Environments

**To handle 1/4" through 1/2" I.D. hose.**

- Narrow frame and compact mounting base.
- Non-sparking ratchet assembly.
- Decutching arbor to prevent damage from reverse winding.
- Standard inlet: 90° stainless steel ball bearing swivel joint, 1/2" female NPT threads.
- Standard outlet: 1/2" female NPT threads.
- Standard pressures to 3000 psi (207 bar).
- Temperatures from +20°F to +400°F (-7°C to +204°C).
- Consult factory for other pressures and temperatures.
- 4-way roller assembly.
- Constant tension is available – consult factory.
- 304 stainless steel construction.
- Optional SST Mosmatic 1/2" balanced pressure swivel joint available, subtract 1.50" from "F" dimension, specify when ordering.



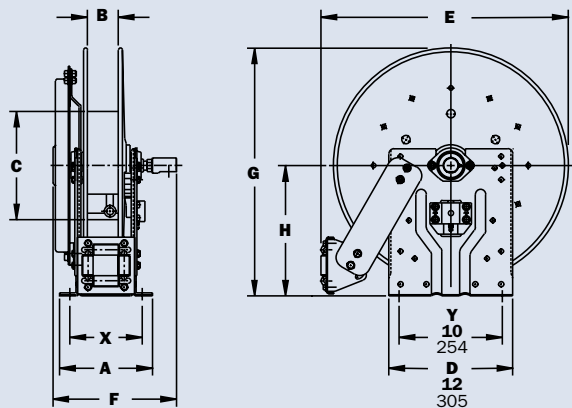
Shown with optional polished finish

**PARTS DRAWING – ISO 171**

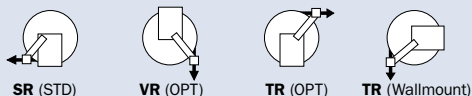
Model Number	Hose Capacity of Reel feet m				Approx. Weight lb. kg			Std. Roller Assy.	Reel Dimensions*** in. mm							
	I.D. in. mm	1/4 6	3/8 10	1/2 13	NET	UPS/ FedEx SHIP Wt.	Freight SHIP Wt.		A	B	C	E	F	G	H	X
	O.D. in. mm	5/8 16	3/4 19	7/8 22												
<b>SSN716-16-17-10.5J</b>	-	<b>35</b>	<b>35</b>	<b>66</b>	<b>75*</b>	<b>108</b>	<b>N204S</b>	<b>10</b>	<b>4</b>	<b>10.5</b>	<b>18.5</b>	<b>13</b>	<b>17</b>	<b>9.12</b>	<b>8</b>	
	-	11	11	30	34	49		254	102	267	470	330	432	232	203	
<b>SSN716-19-20-10.5J</b>	-	<b>50</b>	<b>50</b>	<b>67</b>	<b>82*</b>	<b>109</b>	<b>N204S</b>	<b>10</b>	<b>4</b>	<b>10.5</b>	<b>20.75</b>	<b>13</b>	<b>20</b>	<b>10.62</b>	<b>8</b>	
	-	15	15	30	37	49		254	102	267	527	330	508	270	203	
<b>SSN716-23-24-15.5J</b>	-	<b>65</b>	<b>65</b>	<b>79</b>	<b>92*</b>	<b>114</b>	<b>N204S</b>	<b>10</b>	<b>4</b>	<b>15.5</b>	<b>23.75</b>	<b>13</b>	<b>24</b>	<b>12.62</b>	<b>8</b>	
	-	20	20	36	42	52		254	102	394	603	330	610	321	203	
<b>SSN716-23-24-15.5G</b>	<b>100</b>	<b>75</b>	<b>65</b>	<b>94</b>	<b>101*</b>	<b>129</b>	<b>N204S</b>	<b>10</b>	<b>4</b>	<b>15.5</b>	<b>23.75</b>	<b>13</b>	<b>24</b>	<b>12.62</b>	<b>8</b>	
	30	23	20	43	46	59		254	102	394	603	330	610	321	203	
<b>SSN716-25-26-15.5B</b>	-	<b>75</b>	<b>75</b>	<b>90</b>	-	<b>125</b>	<b>N204S</b>	<b>10</b>	<b>4</b>	<b>15.5</b>	<b>25.25</b>	<b>13</b>	<b>26</b>	<b>13.62</b>	<b>8</b>	
	-	23	23	41	-	57		254	102	394	641	330	660	346	203	
<b>SSN718-25-26-15.5G</b>	-	<b>100</b>	<b>100</b>	<b>96</b>	-	<b>131</b>	<b>N206S</b>	<b>12</b>	<b>6</b>	<b>15.5</b>	<b>25.25</b>	<b>15</b>	<b>26</b>	<b>13.62</b>	<b>10</b>	
	-	30	30	44	-	59		305	152	394	641	381	660	346	254	

**Notes:**

1. Specifications subject to change.
  2. Reel models and capacities shown are for standard drag applications; for vertical lift applications, consult factory.
  3. Other sizes, from standard components, available on request.
  4. Finish: Refer to page 2.
  5. **Be sure to check dimensions and weights prior to ordering.**
- NOTICE:** A flexible connector must be used between the inlet pipe and the inlet swivel joint.  
 \* Dimensional weight applies when shipped as a parcel package (via FedEx or UPS Ground).  
 \*\*\*X, Y indicate mounting holes. See page 2.



**Available Roller Positions**



# Series SSN800

- Dairy • Caustic Materials • Air / Water
- Chemical Transfer / Food Transfer

**To handle 3/4" or 1" I.D. hose.**

- Narrow frame and compact mounting base.
- Non-sparking ratchet assembly.
- Declutching arbor to prevent damage from reverse winding.
- Standard inlet: 90° stainless steel ball bearing swivel joint, 1" female NPT threads.
- Standard outlet: 1" female NPT threads.
- Standard pressures to 1000 psi (69 bar).
- Temperatures from +20°F to +400°F (-7°C to +204°C).
- Consult factory for other pressures and temperatures.
- 4-way roller assembly.
- Constant tension is available – consult factory.
- 304 stainless steel construction.



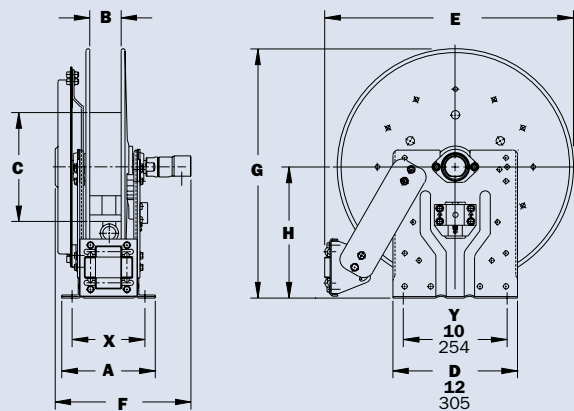
Standard configuration shown with optional polished finish

**PARTS DRAWING – ISO 173**

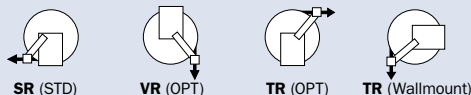
Model Number	Hose Capacity of Reel feet m			Approx. Weight lb. kg			Std. Roller Assy.	Reel Dimensions*** in. mm							
	I.D. in. mm	3/4 19	1 25	NET	UPS/ FedEx SHIP Wt.	Freight SHIP Wt.		A	B	C	E	F	G	H	X
	O.D. in. mm	1-9/32 33	1-1/2 40												
<b>SSN816-19-20-10.5J</b>		<b>25</b>	<b>15</b>	<b>75</b>	<b>83*</b>	<b>110</b>	<b>N204S</b>	<b>10</b>	<b>4</b>	<b>10.5</b>	<b>20.75</b>	<b>14.25</b>	<b>20</b>	<b>10.62</b>	<b>8</b>
		8	5	34	38	50		254	102	267	527	362	508	270	203
† <b>SSN818-23-24-10.5J</b>		<b>50</b>	<b>25</b>	<b>87</b>	–	<b>122</b>	<b>N206S</b>	<b>12</b>	<b>6</b>	<b>10.5</b>	<b>23.75</b>	<b>16.25</b>	<b>24</b>	<b>12.62</b>	<b>10</b>
		15	8	39	–	55		305	152	267	603	413	610	321	254
<b>SSN816-25-26-10.5B</b>		<b>60</b>	<b>35</b>	<b>96</b>	–	<b>131</b>	<b>N204S</b>	<b>10</b>	<b>4</b>	<b>10.5</b>	<b>25.25</b>	<b>14.25</b>	<b>26</b>	<b>13.62</b>	<b>8</b>
		18	11	44	–	59		254	102	267	641	362	660	346	203
<b>SSN818-25-26-10.5B</b>		<b>70</b>	<b>50</b>	<b>102</b>	–	<b>137</b>	<b>N206S</b>	<b>12</b>	<b>6</b>	<b>10.5</b>	<b>25.25</b>	<b>16.25</b>	<b>26</b>	<b>13.62</b>	<b>10</b>
		21	15	46	–	62		305	152	267	641	413	660	346	254

**Notes:**

- Specifications subject to change.
  - Reel models and capacities shown are for standard drag applications; for vertical lift applications, consult factory.
  - Other sizes, from standard components, available on request.
  - Finish: Refer to page 2.
  - Be sure to check dimensions and weights prior to ordering.**
- NOTICE:** A flexible connector must be used between the inlet pipe and the inlet swivel joint.  
 \* Dimensional weight applies when shipped as a parcel package (via FedEx or UPS Ground).  
 \*\*\*X, Y indicate mounting holes. See page 2.  
 †Capacity based on low pressure air hose only. Not for vertical lift applications.



**Available Roller Positions**



# Series **SS800**

- Dairy • Caustic Materials • Air / Water
- Chemical / Food Transfer

**To handle 3/4" or 1" I.D. hose.**

- Square tubing frame for heavy-duty applications.
- Non-sparking ratchet assembly.
- Decutching arbor to prevent damage from reverse winding.
- Standard inlet: 90° stainless steel ball bearing swivel joint, 1" female NPT threads.
- Standard outlet: 1" female NPT threads.
- Pressures to 1000 psi (69 bar).
- Temperatures from +20°F to +400°F (-7°C to +204°C).
- Consult factory for other pressures and temperatures.
- 4-way roller assembly.
- Constant tension is available – consult factory.
- 304 stainless steel construction.



Standard configuration shown with optional polished finish

**PARTS DRAWING – ISO 198**

Model Number	Hose Capacity of Reel feet m			Approx. Weight lb. kg		Std. Roller Assy.	Reel Dimensions*** in. mm									
	I.D. in. mm	3/4 19	1 25	NET	SHIP		A	B	C	D	E	F	G	H	X	Y
	O.D. in. mm	1-9/32 33	1-1/2 40				9.25	4	10.5	25	26.12	14.75	25.88	13.5	4.5	21.75
<b>SS816-25-26-10.5B</b>	60	35	96	131	<b>R204S</b>	9.25	4	10.5	25	26.12	14.75	25.88	13.5	4.5	21.75	
	18	11	44	59		235	102	267	635	663	375	657	343	114	552	
<b>SS818-25-26-10.5B</b>	70	50	102	137	<b>R206S</b>	11.25	6	10.5	25	26.12	16.75	25.88	13.5	6.5	21.75	
	21	15	46	62		286	152	267	635	663	425	657	343	165	552	
<b>SS820-25-26-10.5A</b>	85	75	131	166	<b>R308S</b>	13.25	8	10.5	25	27	19.5	25.88	13.5	8.5	21.75	
	26	23	59	75		337	203	267	635	686	495	657	343	216	552	
<b>SS820-30-31-10.5A</b>	-	100	137	172	<b>R308S</b>	13.25	8	10.5	28.5	30.5	19.5	31.38	17	8.5	25.25	
	-	30	62	78		337	203	267	724	775	495	797	432	216	641	
<b>SS820-30-31-15.5A</b>	100	-	145	180	<b>R308S</b>	13.25	8	15.5	28.5	30.5	19.5	31.38	17	8.5	25.25	
	30	-	66	82		337	203	394	724	775	495	797	432	216	641	

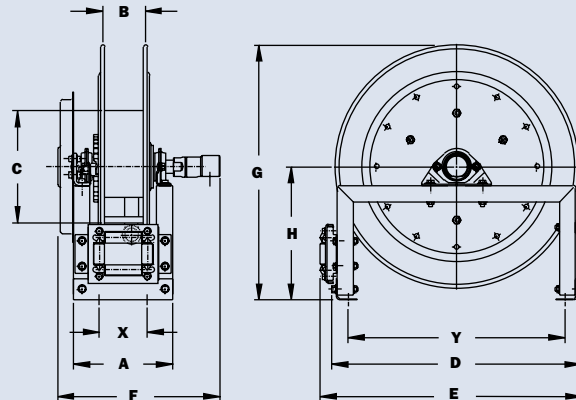
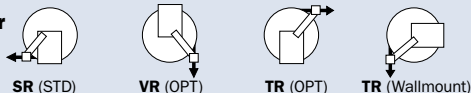
**Notes:**

1. Specifications subject to change.
2. Reel models and capacities shown are for standard drag applications; for vertical lift applications, consult factory.
3. Other sizes, from standard components, available on request.
4. Finish: Refer to page 2.
5. **Be sure to check dimensions and weights prior to ordering.**

**NOTICE:** A flexible connector must be used between the inlet pipe and the inlet swivel joint.

\*\*\*X, Y indicate mounting holes. See page 2.

**Available Roller Positions**



# Series **SS1000**

- Pressure Washing • Spray Operations • Steam Cleaning
- Washdown • Air • Mobile and Permanent Installations

**To handle single 1/4" or 3/8" I.D. hose.**

- Lightweight, compact
- Direct crank rewind permanently attached.
- Adjustable cam-lock brake standard.
- Optional pin lock available.
- Standard inlet: 90° stainless steel ball bearing swivel joint, 1/2" female NPT threads.
- Standard outlet: 3/8" female NPT threads.
- Pressures to 3000 psi (207 bar).
- Temperatures from +20°F to +400°F (-7°C to +204°C).
- Consult factory for other pressures and temperatures.
- 304 stainless steel construction.



Standard configuration shown with mill finish

**PARTS DRAWING – ISO 174**

Model Number	Hose Capacity of Reel feet m			Approx. Weight Crank Rewind lb. kg			Reel Dimensions*** in. mm			
	I.D. in. mm	1/4 6	3/8 10	NET	UPS/ FedEx SHIP Wt.	Freight SHIP Wt.	A	B	F	X
	O.D. in. mm	5/8 16	3/4 19							
<b>SS1014-14-16</b>	<b>100</b>	<b>75</b>	<b>23</b>	<b>42*</b>	<b>58</b>	<b>11.5</b>	<b>6</b>	<b>19.25</b>	<b>10</b>	
	31	23	10	19	26	292	152	489	254	
<b>SS1016-14-16</b>	<b>150</b>	<b>100</b>	<b>24</b>	<b>42*</b>	<b>59</b>	<b>13.5</b>	<b>8</b>	<b>21.25</b>	<b>12</b>	
	46	31	11	19	27	343	203	540	305	
<b>SS1020-14-16</b>	<b>250</b>	<b>175</b>	<b>25</b>	<b>42*</b>	<b>60</b>	<b>17.5</b>	<b>12</b>	<b>25.25</b>	<b>16</b>	
	76	53	11	19	27	445	305	641	406	

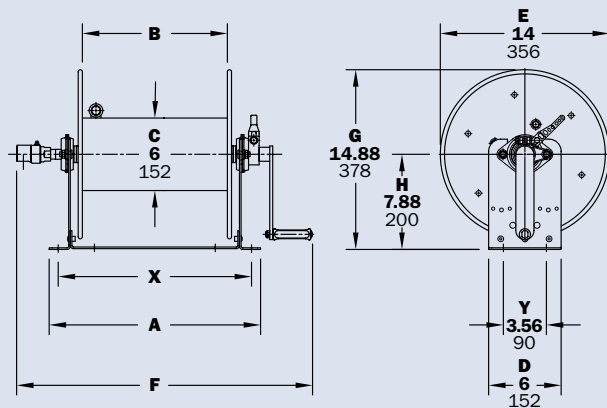
**Notes:**

1. Specifications subject to change.
2. Other sizes, from standard components, available on request.
3. Manual rewind available in RT or LB configurations only.
4. Finish: Refer to page 2.
5. **Be sure to check dimensions and weights prior to ordering.**

**NOTICE:** A flexible connector must be used between the inlet pipe and the inlet swivel joint.

\* Dimensional weight applies when shipped as a parcel package (via FedEx or UPS Ground).

\*\*\*X, Y indicate mounting holes. See page 2.



# Series **SS1500**

• Pest Control • Pressure Washing • Steam Cleaning

**To handle single 1/4" through 5/8" I.D. hose.**

- Lightweight, compact reels designed for long lengths of hose.
- Direct crank rewind is permanently attached.
- Cam-lock drag brake, spring actuated pin lock.
- Standard inlet: 90° stainless steel ball bearing swivel joint, 1/2" female NPT threads.
- Standard outlet: 1/2" female NPT threads.
- Rollers and roller mounting brackets are accessory items. Specify roller position.
- Pressures to 3000 psi (207 bar).
- Temperatures from +20°F to +400°F (-7°C to +204°C).
- Consult factory for other pressures and temperatures.
- Consult factory for power version.
- 304 stainless steel construction.



Standard configuration shown with optional polished finish

**PARTS DRAWING – ISO 175**

Model Number	Hose Capacity of Reel feet m				Approx. Weight Crank Rewind lb. kg			Reel Dimensions*** in. mm				
	I.D. in. mm	3/8 10	1/2 13	5/8 16	NET	UPS/ FedEx SHIP Wt.	Freight SHIP Wt.	A	B	E	F	X
	O.D. in. mm	3/4 19	7/8 22	1 25								
<b>SS1514-17-18</b>	<b>125</b>	<b>75</b>	<b>50</b>	<b>27</b>	<b>65*</b>	<b>62</b>	<b>11</b>	<b>6</b>	<b>16.5</b>	<b>19.25</b>	<b>9.5</b>	
	38	23	15	12	30	28	279	152	419	489	241	
<b>SS1520-17-18</b>	<b>275</b>	<b>175</b>	<b>125</b>	<b>29</b>	<b>80*</b>	<b>64</b>	<b>17</b>	<b>12</b>	<b>16.5</b>	<b>25.25</b>	<b>15.5</b>	
	84	53	38	13	36	29	432	305	419	641	394	
<b>SS1526-17-18</b>	<b>400</b>	<b>300</b>	<b>200</b>	<b>31</b>	<b>98*</b>	<b>66</b>	<b>23</b>	<b>18</b>	<b>16.5</b>	<b>31.25</b>	<b>21.5</b>	
	122	91	61	14	45	30	584	457	419	794	546	
<b>SS1530-17-18</b>	<b>500</b>	<b>375</b>	<b>275</b>	<b>33</b>	<b>110*</b>	<b>68</b>	<b>27</b>	<b>22</b>	<b>16.5</b>	<b>35.25</b>	<b>25.5</b>	
	152	114	84	15	50	31	686	559	419	895	648	
<b>SS1536-17-18</b>	-	<b>475</b>	<b>350</b>	<b>35</b>	<b>129*</b>	<b>70</b>	<b>33</b>	<b>28</b>	<b>16.5</b>	<b>41.25</b>	<b>31.5</b>	
	-	145	107	16	59	32	838	711	419	1048	800	

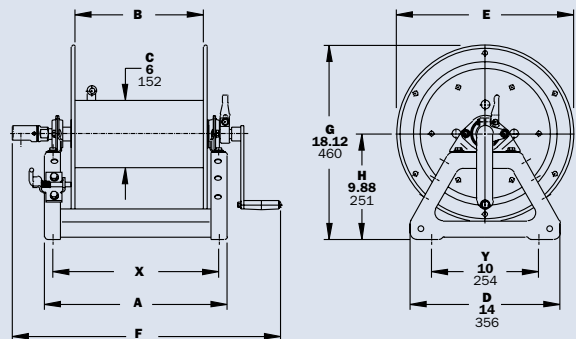
**Notes:**

1. Specifications subject to change.
2. Upon request, reels can be supplied with drum lengths other than shown.
3. Dimension "F" is the overall length of standard model reels.
4. Manual rewind available in RT or LB configurations only.
5. Finish: Refer to page 2.
6. **Be sure to check dimensions and weights prior to ordering.**

**NOTICE:** A flexible connector must be used between the inlet pipe and the inlet swivel joint.

\* Dimensional weight applies when shipped as a parcel package (via FedEx or UPS Ground).

\*\*\*X, Y indicate mounting holes. See page 2.





# Series **SS1800**

- Pest Control • Pressure Washing
- Steam Cleaning • Washdown

**To handle single 5/8" or 3/4" I.D. hose.**

- Lightweight, compact reels designed for long lengths of hose.
- Direct crank rewind is permanently attached.
- Cam-lock brake, spring actuated pin lock.
- Standard inlet: 90° stainless steel ball bearing swivel joint, 1" female NPT threads.
- Standard outlet: 3/4" female NPT threads.
- Rollers and roller mounting brackets are accessory items. Specify roller position.
- Pressures to 1000 psi (69 bar).
- Temperatures from +20°F to +400°F (-7°C to +204°C).
- Consult factory for other pressures and temperatures.
- 304 stainless steel construction.



Standard configuration shown

**PARTS DRAWING – ISO 176**

Model Number	Hose Capacity of Reel feet m			Approx. Weight Crank Rewind lb. kg			Reel Dimensions*** in. mm				
	I.D. in. mm	5/8 16	3/4 19	NET	UPS/ FedEx SHIP Wt.	Freight SHIP Wt.	A	B	E	F	X
	O.D. in. mm	1 25	1-9/32 40								
<b>SS1816-17-18</b>	<b>75</b>	<b>50</b>	<b>28</b>	<b>80*</b>	<b>63</b>	<b>13</b>	<b>8</b>	<b>16.5</b>	<b>24.13</b>	<b>11.5</b>	
	23	15	13	36	29	330	203	419	613	292	
<b>SS1822-17-18</b>	<b>150</b>	<b>100</b>	<b>30</b>	<b>98*</b>	<b>65</b>	<b>19</b>	<b>14</b>	<b>16.5</b>	<b>30.13</b>	<b>17.5</b>	
	46	30	14	45	29	483	356	419	765	445	
<b>SS1826-17-18</b>	<b>200</b>	<b>125</b>	<b>32</b>	<b>98*</b>	<b>67</b>	<b>23</b>	<b>18</b>	<b>16.5</b>	<b>34.13</b>	<b>21.5</b>	
	61	38	15	45	30	584	457	419	867	546	
<b>SS1830-17-18</b>	<b>250</b>	<b>150</b>	<b>33</b>	<b>110*</b>	<b>68</b>	<b>27</b>	<b>22</b>	<b>16.5</b>	<b>38.13</b>	<b>25.5</b>	
	76	46	15	50	31	686	559	419	969	648	
<b>SS1836-17-18</b>	<b>300</b>	<b>200</b>	<b>36</b>	<b>129*</b>	<b>71</b>	<b>33</b>	<b>28</b>	<b>16.5</b>	<b>44.13</b>	<b>31.5</b>	
	91	61	16	59	32	838	711	419	1121	800	

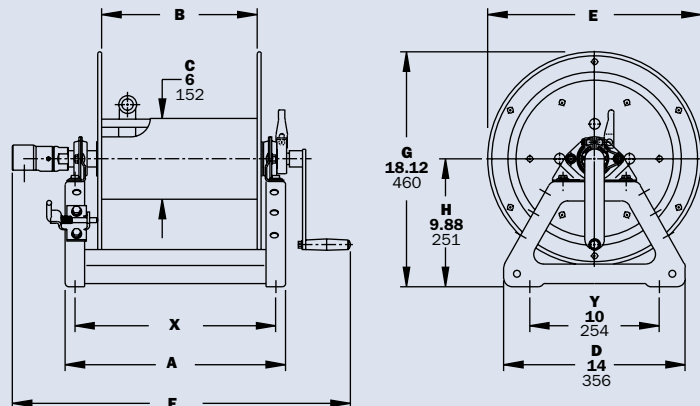
**Notes:**

1. Specifications subject to change.
2. Upon request, reels can be supplied with drum lengths other than shown.
3. Dimension "F" is the overall length of standard model reels.
4. Manual rewind available in RT or LB configurations only.
5. Finish: Refer to page 2.
6. **Be sure to check dimensions and weights prior to ordering.**

**NOTICE:** A flexible connector must be used between the inlet pipe and the inlet swivel joint.

\* Dimensional weight applies when shipped as a parcel package (via FedEx or UPS Ground).

\*\*\*X, Y indicate mounting holes. See page 2.



# Series **SS3000**

- Marine/Corrosive Environments • Washdown
- Fire Protection • Chemical/Food Transfer

**To handle 3/4" or 1" I.D. hose.**

- Economical manual rewind reels for long lengths of hose.
- Choose disc rewind or removable direct crank rewind.
- Supplied with spring-actuated pin lock.
- Standard inlet: 90° stainless steel ball bearing swivel joint, 1" female NPT threads.
- Standard outlet: 1" female NPT thread.
- Rollers and roller mounting brackets are accessory items. Specify roller position.
- Pressures to 1000 psi (69 bar).
- Temperatures from +20°F to +400°F (-7°C to +204°C).
- Consult factory for other pressures and temperatures.
- Consult factory for power reels for 1" hose.
- 304 stainless steel construction.



Standard mill finish shown

**PARTS DRAWING – ISO 177**

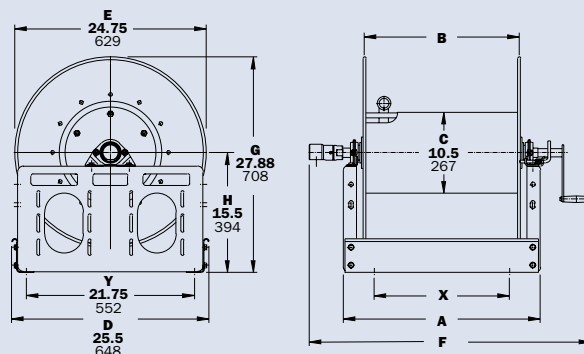
Model Number	Hose Capacity of Reel feet m				Approx. Weight Crank Rewind lb. kg		Reel Dimensions*** in. mm			
	I.D. in. mm	Round Hose		Collapsible Hose	NET	SHIP	A	B	F	X
		3/4 19	1 25	1 25						
	O.D. in. mm	1-9/32 33	1-1/2 40	1/2 x 1-3/4 13 x 44						
<b>SS3016-25-26</b>		<b>100</b> 30	<b>75</b> 23	<b>200</b> 61	<b>85</b> 39	<b>120</b> 54	<b>13</b> 330	<b>7.5</b> 191	<b>24.5</b> 622	<b>7.75</b> 197
<b>SS3020-25-26</b>		<b>150</b> 46	<b>100</b> 30	<b>300</b> 91	<b>94</b> 43	<b>129</b> 59	<b>17</b> 432	<b>11.5</b> 292	<b>28.5</b> 723	<b>9</b> 229
<b>SS3024-25-26</b>		<b>200</b> 61	<b>125</b> 38	<b>400</b> 122	<b>103</b> 47	<b>138</b> 63	<b>21</b> 533	<b>15.5</b> 394	<b>32.5</b> 825	<b>13</b> 330
<b>SS3028-25-26</b>		<b>275</b> 84	<b>175</b> 53	<b>550</b> 168	<b>113</b> 51	<b>163</b> 74	<b>25.5</b> 648	<b>20</b> 508	<b>37</b> 939	<b>17.5</b> 445

**Notes:**

1. Specifications subject to change.
2. Upon request, reels can be supplied with drum lengths other than shown and with disc sizes in other diameters.
3. Power rewind NOT available on these models.
4. Dimension "F" is the overall length of standard model reels. Crank rewind models, 3-1/2" clearance required to remove crank.
5. Subtract 5" from "F" dimension for disc rewind models.
6. Finish: Refer to page 2.
7. **Be sure to check dimensions and weights prior to ordering.**

**NOTICE:** A flexible connector must be used between the inlet pipe and the inlet swivel joint.

\*\*\*X, Y indicate mounting holes. See page 2.



# Series SS4000

- Food Processing • Bottling Plants • Fire Protection
- Water Supply • Chemical Transfer

**To handle single 3/4" or 1" I.D. hose.**

- Lightweight, compact reels designed for long lengths of hose.
- Direct crank rewind is removable.
- Cam-lock brake, spring-actuated pin lock.
- Standard inlet: 90° stainless steel ball bearing swivel joint, 1" female NPT threads.
- Standard outlet: 1" female NPT threads.
- Rollers and roller mounting brackets are accessory items. Specify roller position.
- Pressures to 1000 psi (69 bar).
- Temperatures from +20°F to +400°F (-7°C to +204°C).
- Consult factory for other pressures and temperatures.
- 304 stainless steel construction.



Standard configuration shown

**PARTS DRAWING – ISO 178**

Model Number	Hose Capacity of Reel feet m			Approx. Weight Crank Rewind lb. kg			Reel Dimensions*** in. mm				
	I.D. in. mm	3/4 19	1 25	NET	UPS/ FedEx SHIP Wt.	Freight SHIP Wt.	A	B	E	F	X
	O.D. in. mm	1-9/32 33	1-9/16 40								
SS4018-17-18	50	35	36	80*	71	15	10	16.5	27.75	13.5	
	15	11	16	36	32	254	419	686	705	102	
SS4024-17-18	100	50	46	98*	81	21	16	16.5	33.75	19.5	
	30	15	21	45	37	533	406	419	857	495	
SS4030-17-18	150	75	57	110*	92	27	22	16.5	39.75	25.5	
	46	23	26	50	42	686	559	419	1010	648	
SS4038-17-18	200	100	70	-	124	35	30	16.5	47.75	33.5	
	61	30	32	-	56	889	762	419	1213	851	

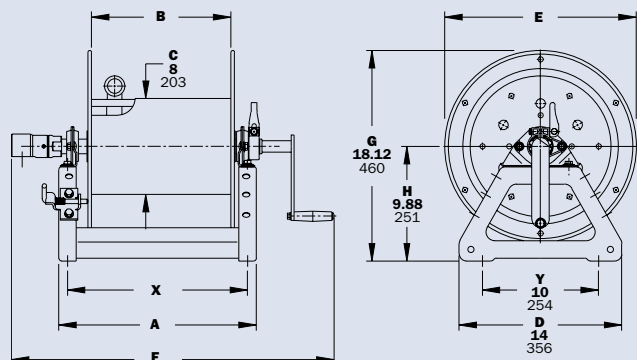
**Notes:**

1. Specifications subject to change.
2. Upon request, reels can be supplied with drum lengths other than shown.
3. Dimension "F" is the overall length of standard model reels. Crank rewind reels require 3-1/2" clearance to remove or install crank handle.
4. Finish: Refer to page 2.
5. **Be sure to check dimensions and weights prior to ordering.**

**NOTICE:** A flexible connector must be used between the inlet pipe and the inlet swivel joint.

\* Dimensional weight applies when shipped as a parcel package (via FedEx or UPS Ground).

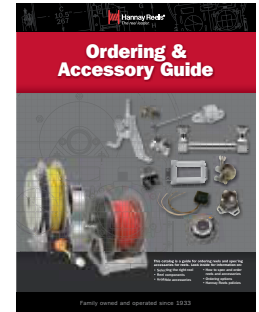
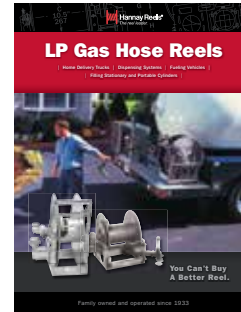
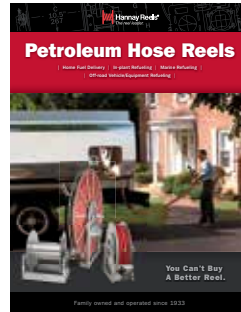
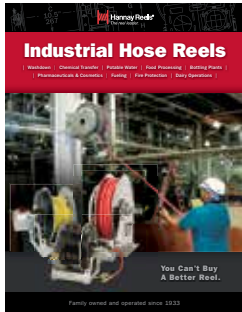
\*\*\*X, Y indicate mounting holes. See page 2.



# You Can't Buy A Better Reel.

## Find reels for every need.

Learn more about all of our reels, including specs, drawings, and even how to select the right reels and accessories for your industry.



### Industrial Hose Reels

Includes specs and information on:

- High pressure spring rewind reels
- Compact manual rewind reels
- Power rewind reels
- Portable storage reels
- Hose assemblies

### Cable Reels

Find out more about:

- Manual and power rewind reels
- Storage reels
- Reels for live electric cable
- Portable reels
- Static and truck grounding reels

### Petroleum Reels

Comprehensive information on:

- Manual or power rewind reels
- Power rewind reels for inverted installation
- Single wrap power rewind reels
- Guide for inverted installation

### LP Gas

Details on:

- Manual or power rewind reels
- Power rewind liquid reels
- Manual rewind vapor reels
- Spring rewind reels

### Ordering & Accessory Guide

Learn more about:

- Selecting the right reel
- Reel components
- Available accessories
- How to spec and order reels and accessories
- Ordering options
- Hannay Reels policies

View all our reel catalogs online at [hannay.com](http://hannay.com)



Family owned and operated since 1933, Hannay Reels is the world leader in both OEM and aftermarket applications. Hannay offers thousands of standard hose reel and cable reel models, as well as unmatched custom capabilities. We can easily and affordably customize a reel to meet your exact specifications – built to last, delivered fast. Additional catalogs are available through your local Hannay Reels dealer or online at [hannay.com](http://hannay.com).



553 State Route 143 | Westerlo, New York 12193  
Email: [reels@hannay.com](mailto:reels@hannay.com) | [hannay.com](http://hannay.com)



All Hannay reels are constructed of quality heavy gauge steel (optional aluminum or stainless steel also available on most models).

Phone: **518-797-3791**  
Toll Free: **1-877-467-3357**

Domestic FAX: **1-800-733-5464**  
International FAX: **518-797-3259**

Form H-0419-SS Rev 6 WEB 1-18

