



MARCH PUMPS 893 BRUSHLESS

1819 PICKWICK AVE., GLENVIEW, IL 60026-1306, U.S.A
 PHONE: (847) 729-5300 - FAX: (847) 729-7062
 WWW.MARCHPUMP.COM

12 & 24 VDC Papst Motor
 893-07, 893-08, 893-09, 893-10

DESCRIPTION:

Series 893 are centrifugal magnetic drive pumps, eliminating the need for a shaft seal. Pumps can be serviced with a screwdriver. See the parts list for a breakdown of parts.

OPERATION:

Pumps are not self-priming, lack a suction lift, and thus require a **flooded suction**. Pumps **cannot be run dry** because the impeller requires the liquid being pumped for lubrication. Brushless motors must be operated within a restricted voltage range due to the electronics in the motor. For application assistance, contact March Pump.

ELECTRICAL:

Motors are Brushless DC.

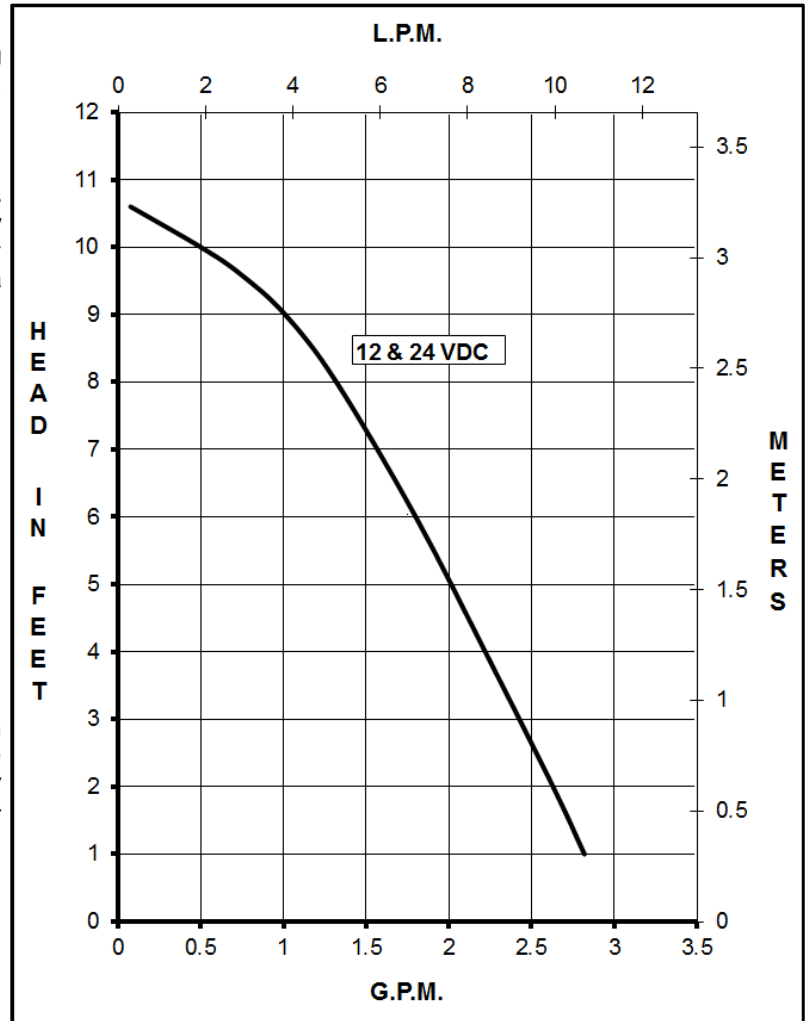
12 Volt Motor Restricted Voltage Range (7V to 14V)
 24 Volt Motor Restricted Voltage Range (12V to 28V)

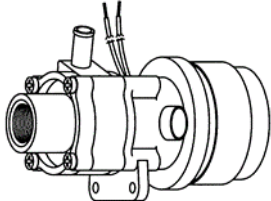
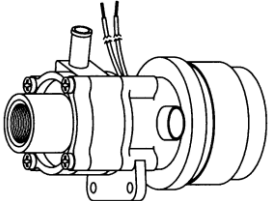
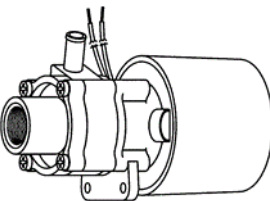
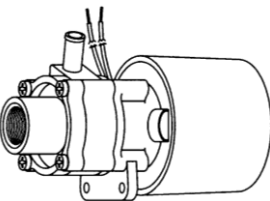
Red lead is positive, blue lead is negative.

All have 16" (40 cm) motor leads.

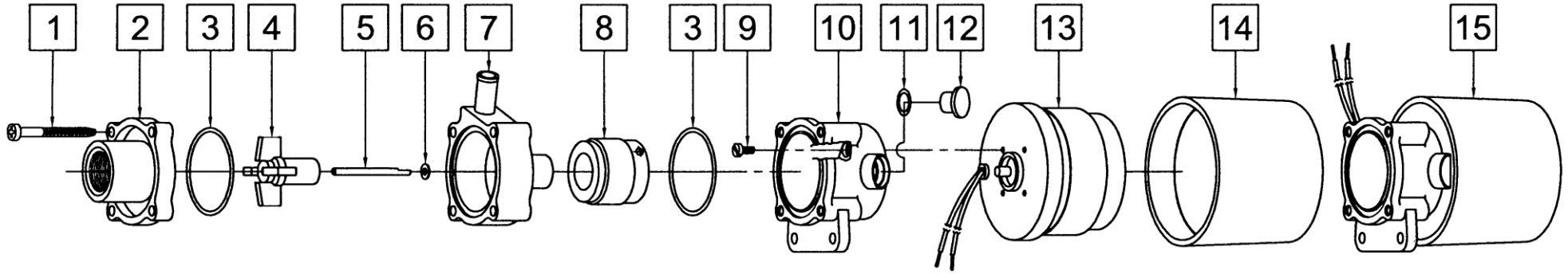
LIMITED WARRANTY:

March pumps are guaranteed only against defects in workmanship or materials for a period of one year from date of manufacture pumping water. For the complete warranty and to register online go to www.marchpump.com/warranty-registration



MODELS & SPECIFICATIONS	893-07				893-08				893-09				893-10								
																					
	Open Air				Open Air				Submersible or Open Air				Submersible or Open Air								
Product #	0893-0030-0100				0893-0031-0100				0893-0030-0200				0893-0031-0200								
Max Flow	2.7 gpm - 11 lpm				2.7 gpm - 11 lpm				2.7 gpm - 11 lpm				2.7 gpm - 11 lpm								
Max Head	10.6 ft / 4.5 psi - 3.3 m				10.6 ft / 4.5 psi - 3.3 m				10.6 ft / 4.5 psi - 3.3 m				10.6 ft / 4.5 psi - 3.3 m								
Inlet	3/8" FPT				3/8" FPT				3/8" FPT				3/8" FPT								
Outlet	3/8" OD				3/8" OD				3/8" OD				3/8" OD								
Max Internal Pressure	50 psi - 344 kPa				50 psi - 344 kPa				50 psi - 344 kPa				50 psi - 344 kPa								
Max Liquid Temperature	190 °F open air 87 °C open air				190 °F open air 87 °C open air				190 °F open air, 130 °F sub 87 °C open air, 54 °C sub				190 °F open air, 130 °F sub 87 °C open air, 54 °C sub								
Packed Weight	1.0 lbs / 0.45 kg				1.0 lbs / 0.45 kg				1.05 lbs / 0.47 kg				1.05 lbs / 0.47 kg								
ELECTRICAL	A	W	Hp	kW	Rpm	A	W	Hp	kW	Rpm	A	W	Hp	kW	Rpm	A	W	Hp	kW	Rpm	
Restricted Range 12 V	1.0	12	1/150	0.004	4000						1.0	12	1/150	0.004	4000						
Restricted Range 24 V						0.5	12	1/150	0.004	4000						0.5	12	1/150	0.004	4000	
Overall Size	Height	Width	Length	Height	Width	Length	Height	Width	Length	Height	Width	Length	Height	Width	Length	Height	Width	Length	Height	Width	Length
	2.96"	2.25"	4.28"	2.96"	2.25"	4.28"	2.96"	2.45"	4.46"	2.96"	2.45"	4.46"	2.96"	2.45"	4.46"	2.96"	2.45"	4.46"	2.96"	2.45"	4.46"
	7.5 cm	5.7 cm	10.8 cm	7.5 cm	5.7 cm	10.8 cm	7.5 cm	6.2 cm	11.3 cm	7.5 cm	6.2 cm	11.3 cm	7.5 cm	6.2 cm	11.3 cm	7.5 cm	6.2 cm	11.3 cm	7.5 cm	6.2 cm	11.3 cm
Materials in Contact With Solution	Noryl, Nylon, Carbon/Teflon, Buna N, 316 Stainless Steel, Ceramic Magnet.																				
	When pump is submerged the following additional materials are in contact: Epoxy, Delrin, & Motor Leads																				
	All specifications & data are based on pumping water & are intended as a guideline only. Specifications may vary with different motors.																				

PARTS LIST



#	DESCRIPTION	MATERIAL	SIZE (Inches)	QTY.	893-07	893-08	893-09	893-10
1	Screws, Self-Tapping	Stainless	#7-19 x 1-7/16 Lg.	4			0115-0062-1000	
2	Cover	Noryl	3/8 FPT Inlet	1			0893-0004-1000	
3	"O" Ring	Buna N	1/16 CS x 1-7/16 OD	2			0115-0018-1000	
4	Impeller	Nylon/Ceramic Magnet		1			0115-0008-0100	
5	Shaft	316 Stainless		1			0115-0032-1000	
6	Thrust Washer (Rear)	Carbon/Teflon		1			0115-0033-1000	
7	Rear Housing	Noryl	3/8 OD Outlet	1			0893-0003-1000	
8	Drive Magnet			1			0115-0101-0100	
9	Screws	Stainless	0.118 x 0.5 x 0.236 Lg.	4	0893-0029-1000			
10	Motor Bracket	Plastic		1	0893-0035-0000			
11	"O" Ring	Viton	1/16 CS x 7/16 OD	1	0210-0008-1000			
12	Plug	Plastic		1	0125-0110-1000			
13A	Motor (Papst) 12 VDC Brushless			1	0893-0026-1000			
13B	Motor (Papst) 24 VDC Brushless			1		0893-0027-1000		
14	Motor Cap (Option)	Plastic		1	0893-0036-1000			
15A	Submersible Assy. 12 VDC Brushless			n/a			Not Available	
15B	Submersible Assy. 24 VDC Brushless			n/a				Not Available

NOTE: Contact Factory for other materials and/or parts not listed.

0893-0037-1000 R3