



# MARCH PUMPS

1819 PICKWICK AVE., GLENVIEW, IL 60026-1306, U.S.A  
 PHONE: (847) 729-5300 - FAX: (847) 729-7062  
 WWW.MARCHPUMP.COM

## TE-5C-MD-AC, TE-5K-MD-AC

### DESCRIPTION:

Series 5 are centrifugal magnetic drive pumps, eliminating the need for a shaft seal. All are serviceable with a screwdriver.

**Model Abbreviations:** TE: Encapsulated Impeller, AC: Air Cooled Motor, C: Polypropylene, K: Kynar

### OPERATION:

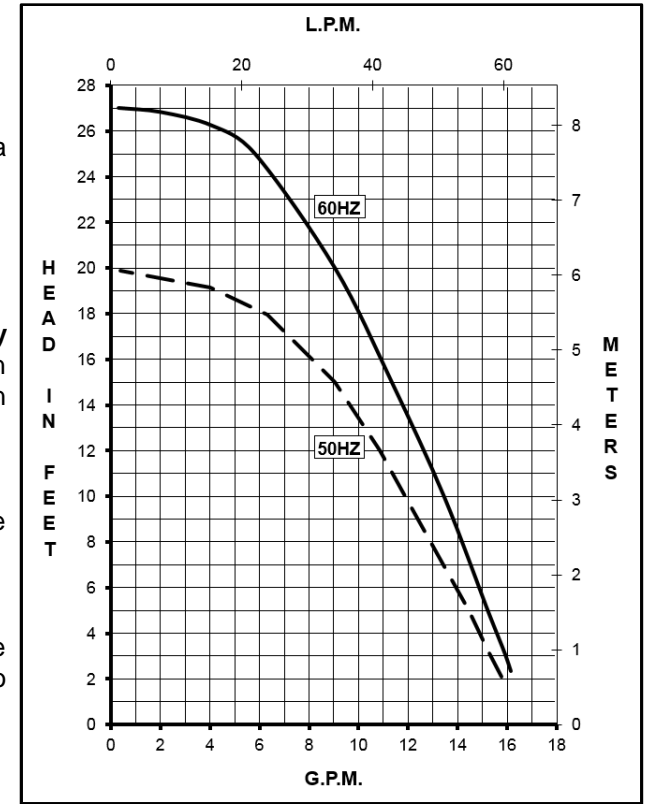
Pumps are not self-priming, lack a suction lift, and thus require a **flooded suction**. Pumps **cannot be run dry** because the impeller requires the liquid being pumped for lubrication. For liquids with a specific gravity greater than water, have a higher viscosity, or for elevated temperatures, a trimmed impeller may be necessary. For application assistance, contact March Pump.

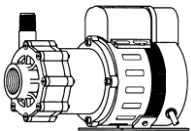
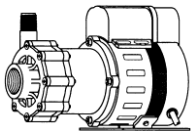
### ELECTRICAL:

Models are either 115 Volt or 230 Volt and have a 3 ft. (0.9 m) Cord. Models have U.L. listed motors, which are rated for continuous duty.

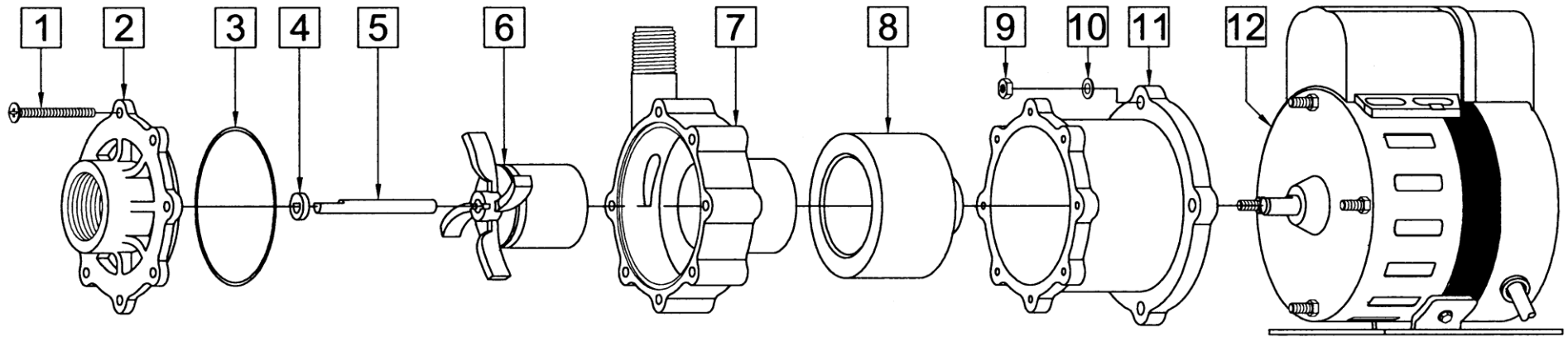
### LIMITED WARRANTY:

March pumps are guaranteed only against defects in workmanship or materials for a period of one year from date of manufacture pumping water. For the complete warranty and to register online go to [www.marchpump.com/warranty-registration](http://www.marchpump.com/warranty-registration)



SPECIFICATIONS	TE-5C-MD-AC														TE-5K-MD-AC															
																														
Product #	115 V		0150-0026-0800														0150-0120-0600													
	230 V		0150-0026-0900														0150-0120-0700													
Inlet - Outlet	1" FPT - 1/2" MPT														1" FPT - 1/2" MPT															
Max Internal Pressure	50 psi (344 kPa)														75 psi (517 kPa)															
Max Liquid Temperature	190 °F (87 °C)														200 °F (93 °C)															
MODEL	Max Flow		Max Head			60 Hz						50 Hz						Height		Width		Length		Packed Weight						
	gpm	lpm	ft	psi	m	Ph	V	A	Hp	kW	Rpm	gpm	lpm	ft	psi	m	Ph	V	A	Hp	kW	Rpm	Inches	cm	Inches	cm	Inches	cm	lbs	kg
TE-5C-MD-AC	17	64.4	27	11.7	8.2	1	115	2.1	1/8	0.093	3450	15.9	60	19.7	8.5	6	1	115	2.1	1/8	0.093	2850	6.19	15.7	4.52	11.4	9.27	23.5	8.55	3.87
TE-5K-MD-AC	17	64.4	27	11.7	8.2	1	115	2.1	1/8	0.093	3450	15.9	60	19.7	8.5	6	1	115	2.1	1/8	0.093	2850	6.19	15.7	4.52	11.4	9.27	23.5	8.55	3.87

All specifications & data are based on pumping water & are intended as a guideline only. Specifications may vary with different motors.



#	DESCRIPTION	MATERIAL	SIZE (Inches)	QTY.	PART #	
					TE-5C-MD-AC	TE-5K-MD-AC
1	Screw	Stainless	#8-32 x 1-3/4 Lg.	7	0150-0021-1000	
2A	Cover	Polypropylene	1 FPT Inlet	1	0150-0032-1000	
2B	Cover	Kynar	1 FPT Inlet	1		0150-0124-1000
3A	"O" Ring	Viton	0.078 CS x 2.834 ID	1	0750-0986-1000	
3B	"O" Ring (Option)	Buna N	0.078 CS x 2.834 ID	1	0750-0987-1000	
3C	"O" Ring (Option)	Viton/Teflon	0.070 CS x 3-1/8 OD	1	0150-0171-1000	
4	Thrust Washer	Ceramic		1	0130-0028-1000	
5	Shaft	Ceramic		1	0130-0024-1000	
6A	Impeller	Polypropylene		1	0150-0098-0200	
6B	Impeller	Kynar		1		0150-0125-0200
7A	Rear Housing w/Ceramic Thrust Washer	Polypropylene	1/2 MPT Outlet	1	0150-0031-0100	
7B	Rear Housing w/Ceramic Thrust Washer	Kynar	1/2 MPT Outlet	1		0150-0123-0100
8	Drive Magnet			1	0150-0176-0300	
9	Nut (Hex)	Stainless	#10-32	4	0625-0024-1000	
10	Washer	Stainless	#10	4	0802-0006-1000	
11	Motor Bracket	Plastic		1	0150-0070-0100	
12	Motor, 115 V, 50/60 Hz			1	0150-0027-1000	
	Motor, 230 V, 50/60 Hz			1	0150-0040-1000	
W1	Wet End Kit	1, 2A, 3A, 4, 5, 6A, 7A		1	0150-0148-0200	
W2	Wet End Kit	1, 2B, 3A, 4, 5, 6B, 7B				0150-0149-0200

**Materials in Contact with Solution:**

**TE-5C-MD-AC:** Polypropylene, Ceramic, Viton

**TE-5K-MD-AC:** Kynar/Carbon Filled, Ceramic, Viton

NOTE: Contact Factory for other materials and/or parts not listed.

0150-0060-1200 R2