

Operating Instructions

Series RS7000 / RSTW7000 Hose Reels

Low, Medium and High Pressure Model Numbers:

RS7600 OLP	RS7850 OLP	RS7800 OMP	RS7650 OHP
RS7650 OLP	RS7900 OLP	RS7850 OMP	RSTW7400 OLP
RS7607 OLP	RS7925 OLP	RS7400 OHP	RSTW7450 OLP
RS7670 OLP	RS7600 OMP	RS7450 OHP	RSTW7400 OLPT
RS7800 OLP	RS7650 OMP	RS7600 OHP	RSTW7450 OLPT



Dimensions

	A	20 1/4"
	B	19 3/4"
	C	7 13/16"
	D	3 7/8"
	E	7 3/8"



IMPORTANT

Read this manual carefully before installing, operating or servicing equipment.

SAFETY

Personal injury and/or equipment damage may result if proper safety precautions are not observed.

- Ensure that reel is properly installed before connecting input and output hoses.
- Bleed fluid/gas pressure from system before servicing reel.
- Before connecting reel to supply line, ensure that pressure does not exceed maximum working pressure rating of reel.
- Remember, even low pressure is very dangerous and can cause personal injury or death.
- Be aware of machinery and personnel in work area.
- If a leak occurs in the hose or reel, remove system pressure immediately.
- A high tension spring assembly is contained within the reel. Exercise extreme caution.
- Pull hose from reel by grasping the hose itself.
- Ensure that reel, hose, and equipment being serviced are properly grounded. Use an ohmmeter to check ground continuity.
- If reel ceases to unwind or rewind, remove system pressure immediately. Do not pull or jerk on hose!
- Treat and respect the hose reel as any other piece of machinery, observing all common safety practices.

IN-SERVICE CAUTION - FOR WELDING HOSE REELS (RSTW Models Only):

- The user is cautioned not to shut off the fuel gas at the regulator or supply source first, as a flashback may result, and thereby damage the hose.
- Users are cautioned specifically to shut off the gas at the torch first, and then at the regulator or supply source, to limit permeation of gas through the hose wall. This should be done when the torch will not be used for periods in excess of 30 minutes.
- After the flame has been extinguished and the gas turned off at the supply source, it is recommended that any remaining gas be bled to minimize degradation of the rubber during long shutdowns.
- To prevent an accumulation or concentration of gas that could be explosive or otherwise harmful to personnel, adequate ventilation must be provided at all times, particularly in confined areas where fuel gas is being used.
- Additional advice for minimizing the permeation problem has been supplied by an NWSA member who states "The source of gas (fuel gas and oxygen) should be closed before leaving for the day or shift. After the cylinder or manifold valves have been closed, the torch valves (both fuel gas and oxygen) should be opened to remove all pressure from hoses."

Form# 1311-1119 Rev: 11/2019

INSTALLATION INSTRUCTIONS

MOUNTING

Caution: Unless reel was specified differently when ordering, maximum installation height is 16 feet. Do not exceed this distance.

1. Unpack and inspect reel for damage. Turn by hand to check for smooth operation. Check for completeness.
2. Configure reel for top, side or bottom-wind hose dispensing by removing nuts (1) securing guide arm bracket (2). Position guide arm bracket to desired location, and replace nuts.

Caution: When changing guide arm positions, the U-bolt must be placed in the proper location as instructed in figure A below. The reel can “latch out” during use if this instruction is not adhered to.

3. Position reel on floor, wall, or ceiling. Secure into place using four (customer supplied) bolts (3).

FOR NON-WELDING HOSE REELS (RS Models Only)

INSTALLING THE INPUT HOSE(S)

Warning: Ensure that supply line pressure does not exceed maximum working pressure rating of reel. Apply pipe thread sealant to all threads. **Caution:** Use flexible hose connection at input. Do not use rigid plumbing.

1. Connect supply line hose (4) to main shaft input (5) as indicated in illustration.

INSTALLING THE OUTPUT HOSE(S)

Warning: Use extreme caution; reel under tension. Avoid releasing latch mechanism. Apply pipe thread sealant to all threads.

1. Manually turn sheave (10) until spring is tight, back off 3 turns, then latch.

2. Route output hose(s) (11) through guide arm bracket (2), U-bolts (12), then through cutout (13) in spool as indicated in illustration.
3. Connect output hose(s) (11) to swivel (14) as indicated in illustration.
4. Tighten U-bolts (12).
5. Charge hose(s). Momentarily open control valve to purge hose(s) of gases. When fluid appears at control valve, close valve. With hose(s) fully charged, release latch and wind output hose(s) onto reel.

FOR WELDING HOSE REELS (RSTW Models Only)

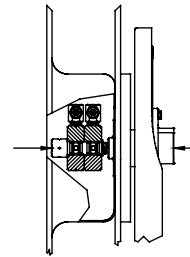
INSTALLING THE INPUT HOSES

Caution: Apply thread sealant to all input connections to insure a proper seal.

INSTALLING THE OUTPUT HOSES

Caution: Use extreme caution; reel under tension, avoid releasing latch mechanism. Apply thread sealant to outlet connections.

Acetylene/fuel gas
inlet 1/4" FPT
(Red)



Oxygen
inlet 1/4" FPT
(Green)

1. Manually turn spool ass'y until spring is tight, back off three turns, then latch.
2. Route output hoses through guide bracket.
3. Using a wrench, firmly hold on to output fittings on swivel while tightening the hose connector.

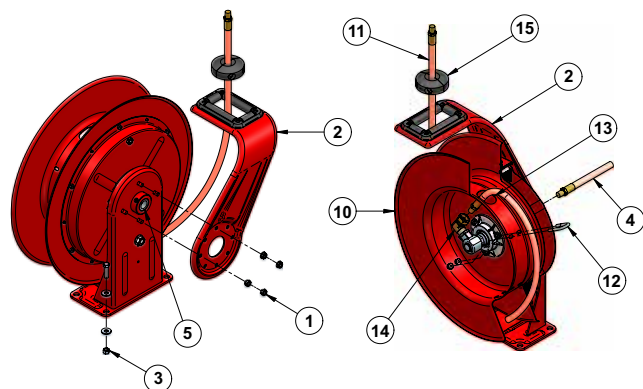
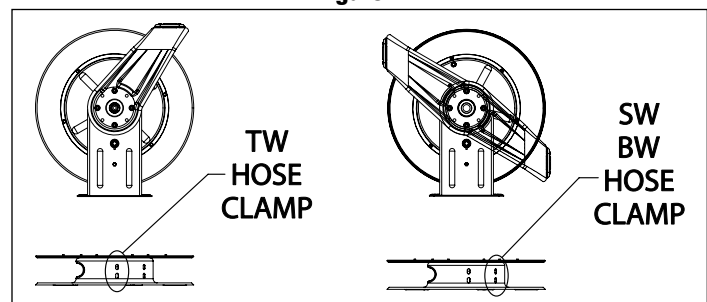


Figure A



ADJUSTMENTS

Warning: Use extreme caution; reel under tension. Avoid releasing latch mechanism. If necessary, adjust spring tension on reel by adding or removing wraps of hose from spool, one wrap at a time, until desired tension is obtained. Add wraps to increase tension. Remove wraps to decrease tension.

SERVICE INSTRUCTIONS

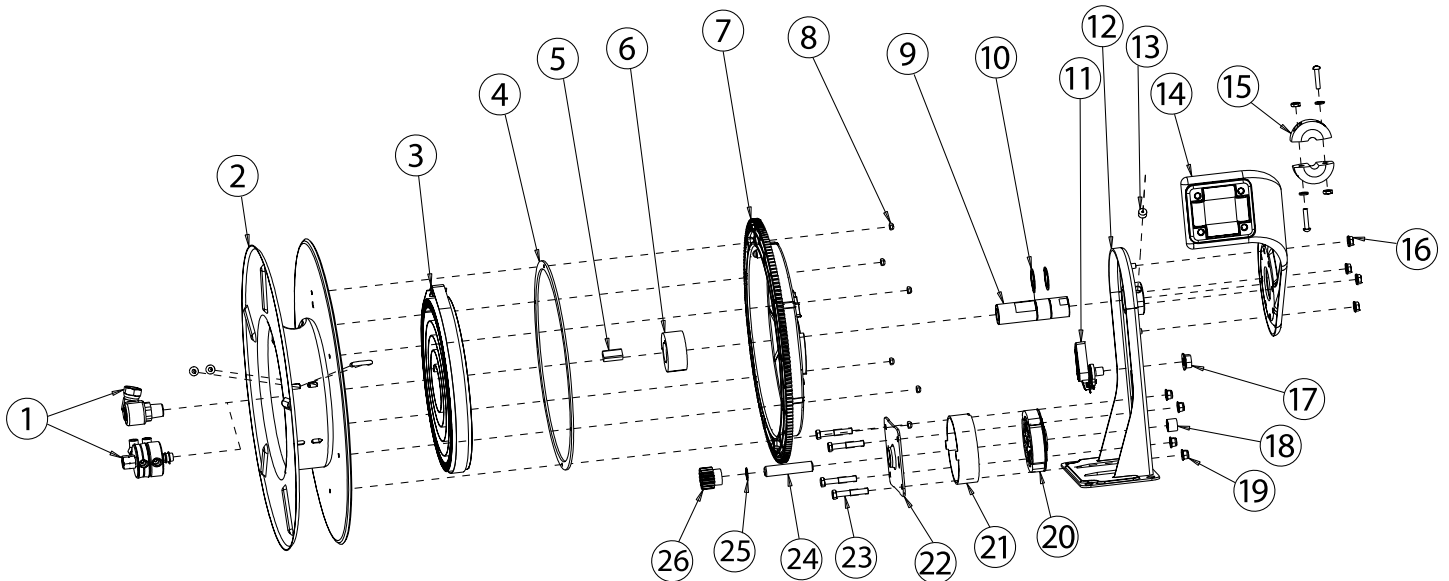
User servicing of the reel is limited to replacing input/output hoses only. Refer all other repairs to an authorized service person or directly to Reelcraft. Failure to do so can result in personal injury and/or equipment damage and may void the warranty. **Warning:** Rewind hose on reel, then bleed pressure from system before performing the following procedures.

1. Replace hoses in accordance with procedures given in "Installation Instructions" section of this manual.

Caution: When replacing drive spring, hold the center of the spring down as the hub is pulled out. If the center is allowed to raise up, the spring may escape from its container with enough force to cause injuries.

2. All mating moving parts are to be lubricated with Perma Bond or Loctite anti-seize compound.

When disposing of old or broken spring assemblies, the coils should be welded or wired together to prevent possible injury to scrap handling personnel.



Series RS7000 / RSTW7000 Hose Reels

Item #	Description	# Req.	RS7600 OLP	RS7650 OLP	RS7607 OLP	RS7670 OLP	RS7800 OLP	RS7850 OLP	RS7900 OLP	RS7925 OLP
1	Swivel & Ell Assembly	1	S600923-1	S600923-1	S600923-1	S600923-1	S600923-1	S600923-1	600242	600242
2	Spool & Hub Assembly	1	602726	602726	602726	602726	602726	602726	602726	602726
3	Drive Spring Assembly	1	260028-1	260028-1	S260028	S260028	S260037	S260037	S600023	S600023
4	Gasket	1	S260069	S260069	S260069	S260069	S260069	S260069	S260069	S260069
5	Arbor Key	1	261275	261275	261275	261275	261275	261275	261275	261275
6	Spring Arbor	1	261274	261274	261274	261274	261274	261274	261274	261274
7	Spring Cover	1	263183	263183	263183	263183	263183	263183	263183	263183
8	10-32 x 3/8" Nyloc Nut	6	S82-15	S82-15	S82-15	S82-15	S82-15	S82-15	S82-15	S82-15
9	Main Shaft	1	602231	602231	602231	602231	602231	602231	602231-1	602231-1
10	1 1/4" Snap Ring	2	300007	300007	300007	300007	300007	300007	300007	300007
11	Latch Pawl Assembly	1	S602694	S602694	S602694	S602694	S602694	S602694	S602694	S602694
12	Base Assembly	1	602842	602842	602842	602842	602842	602842	602842	602842
13	1/2-13 Set Screw	1	S35-84	S35-84	S35-84	S35-84	S35-84	S35-84	S35-84	S35-84
14	Guide Arm with Rollers	1	S600017	S600017	S600017	S600017	S600017	S600017	S600017	S600017
15	Bumper Stop Assembly	1	None	1-HR1004-3	None	1-HR1004-3	None	2-HR1004-3	None	3-HR1004-3
16	5/16-18 Lock Nut	4	300107	300107	300107	300107	300107	300107	300107	300107
17	1/2-20 x 5/8" Hex Nut	1	S280-8	S280-8	S280-8	S280-8	S280-8	S280-8	S280-8	S280-8
18	.625 Vinyl cap	1	263205	263205	263205	263205	263205	263205	263205	263205
19	5/16-18 Flanged Lock Nut	4	261650-2	261650-2	261650-2	261650-2	261650-2	261650-2	261650-2	261650-2
20	Clutch	1	263198	263198	263198	263198	263198	263198	263198	263198
21	Clutch Drum	1	263187	263187	263187	263187	263187	263187	263187	263187
22	Clutch Plate	1	263186	263186	263186	263186	263186	263186	263186	263186
23	5/16-18 x 2" Bolts	4	S376-59	S376-59	S376-59	S376-59	S376-59	S376-59	S376-59	S376-59
24	Keyed shaft	1	263188	263188	263188	263188	263188	263188	263188	263188
25	.625 Snap ring	1	S140-22	S140-22	S140-22	S140-22	S140-22	S140-22	S140-22	S140-22
26	Pinion gear	1	263182	263182	263182	263182	263182	263182	263182	263182
Hose Assembly			None	601017-50	None	601017-70	None	601021-50	None	601026-25
Hose I.D. x Length			None	3/8" x 50'	None	3/8" x 70'	None	1/2" x 50'	None	3/4" x 25'
Reel Inlet Connection			1/2" NPT(F)	1/2" NPT(F)	1/2" NPT(F)	1/2" NPT(F)	1/2" NPT(F)	1/2" NPT(F)	3/4" NPT(F)	3/4" NPT(F)
Max. Operating Pressure			500 PSI	300 PSI	500 PSI	300 PSI	500 PSI	300 PSI	500 PSI	250 PSI
Max. Operating Temperature			210 °F	150 °F	210 °F	150 °F	210 °F	150 °F	210 °F	150 °F

Item #	Description	# Req.	RS7600 OMP	RS7650 OMP	RS7800 OMP	RS7850 OMP	RS7400 OHP	RS7450 OHP	RS7600 OHP	RS7650 OHP
1	Swivel & Ell Assembly	1	S600300	S600300	S600300	S600300	S602110	S602110	S602110	S602110
2	Spool & Hub Assembly	1	602726	602726	602726	602726	602728	602728	602726	602726
3	Drive Spring Assembly	1	S260053	S260053	S260053	S260053	S260053	S260053	S260053	S260053
4	Gasket	1	S260069	S260069	S260069	S260069	S260069	S260069	S260069	S260069
5	Arbor Key	1	261275	261275	261275	261275	261275	261275	261275	261275
6	Spring Arbor	1	261274	261274	261274	261274	261274	261274	261274	261274
7	Spring Cover	1	263183	263183	263183	263183	263183	263183	263183	263183
8	10-32 x 3/8" Nyloc Nut	6	S82-15	S82-15	S82-15	S82-15	S82-15	S82-15	S82-15	S82-15
9	Main Shaft	1	602231	602231	602231	602231	602231	602231	602231	602231
10	1 1/4" Snap Ring	2	300007	300007	300007	300007	300007	300007	300007	300007
11	Latch Pawl Assembly	1	S602694	S602694	S602694	S602694	S602694	S602694	S602694	S602694
12	Base Assembly	1	602842	602842	602842	602842	602842	602842	602842	602842
13	1/2-13 Set Screw	1	S35-84	S35-84	S35-84	S35-84	S35-84	S35-84	S35-84	S35-84
14	Guide Arm with Rollers	1	S600017	S600017	S600017	S600017	S600017	S600017	S600017	S600017
15	Bumper Stop Assembly	1	None	1-HR1004-3	None	2-HR1004-3	None	1-HR1004-3	None	602762
16	5/16-18 Lock Nut	4	300107	300107	300107	300107	300107	300107	300107	300107
17	1/2-20 x 5/8" Hex Nut	1	S280-8	S280-8	S280-8	S280-8	S280-8	S280-8	S280-8	S280-8
18	.625 Vinyl cap	1	263205	263205	263205	263205	263205	263205	263205	263205
19	5/16-18 Flanged Lock Nut	4	261650-2	261650-2	261650-2	261650-2	261650-2	261650-2	261650-2	261650-2
20	Clutch	1	263198	263198	263198	263198	263198	263198	263198	263198
21	Clutch Drum	1	263187	263187	263187	263187	263187	263187	263187	263187
22	Clutch Plate	1	263186	263186	263186	263186	263186	263186	263186	263186
23	5/16-18 x 2" Bolts	4	S376-59	S376-59	S376-59	S376-59	S376-59	S376-59	S376-59	S376-59
24	Keyed shaft	1	263188	263188	263188	263188	263188	263188	263188	263188
25	.625 Snap ring	1	S140-22	S140-22	S140-22	S140-22	S140-22	S140-22	S140-22	S140-22
26	Pinion gear	1	263182	263182	263182	263182	263182	263182	263182	263182
Hose Assembly			None	5-260043	None	8-260043	None	9-260044	None	5-260044
Hose I.D. x Length			None	3/8" x 50'	None	1/2" x 50'	None	1/4" x 50'	None	3/8" x 50'
Reel Inlet Connection			1/2" NPT(F)	1/2" NPT(F)	1/2" NPT(F)	1/2" NPT(F)	1/4" NPT(F)	1/4" NPT(F)	1/4" NPT(F)	1/4" NPT(F)
Max. Operating Pressure			3000 PSI	2600 PSI	3250 PSI	3250 PSI	5000 PSI	5000 PSI	5000 PSI	4800 PSI
Max. Operating Temperature			210 °F	210 °F	210 °F	210 °F	210 °F	210 °F	210 °F	210 °F

Welding Hose Reels

Item #	Description	# Req.	RSTW7400 OLP	RSTW7450 OLP	RSTW7400 OLPT	RSTW7450 OLPT
1	Swivel & Ell Assembly	1	S260057-3	S260057-3	S260057-1	S260057-1
2	Spool & Hub Assembly	1	602726	602726	602726	602726
3	Drive Spring Assembly	1	S260028	S260028	S260028	S260028
4	Gasket	1	S260069	S260069	S260069	S260069
5	Arbor Key	1	261275	261275	261275	261275
6	Spring Arbor	1	261274	261274	261274	261274
7	Spring Cover	1	263183	263183	263183	263183
8	10-32 x 3/8" Nyloc Nut	6	S82-15	S82-15	S82-15	S82-15
9	Main Shaft	1	602241	602241	602241	602241
10	1 1/4" Snap Ring	2	300007	300007	300007	300007
11	Latch Pawl Assembly	1	S602694	S602694	S602694	S602694
12	Base Assembly	1	602842	602842	602842	602842
13	1/2-13 Set Screw	1	S35-84	S35-84	S35-84	S35-84
14	Guide Arm with Rollers	1	S600017	S600017	S600017	S600017
15	Bumper Stop Assembly	1	None	8-HR1004-3	None	8-HR1004-3
16	5/16-18 Lock Nut	4	300107	300107	300107	300107
17	1/2-20 x 5/8" Hex Nut	1	S280-8	S280-8	S280-8	S280-8
18	.625 Vinyl cap	1	263205	263205	263205	263205
19	5/16-18 Flanged Lock Nut	4	261650-2	261650-2	261650-2	261650-2
20	Clutch	1	263198	263198	263198	263198
21	Clutch Drum	1	263187	263187	263187	263187
22	Clutch Plate	1	263186	263186	263186	263186
23	5/16-18 x 2" Bolts	4	S376-59	S376-59	S376-59	S376-59
24	Keyed shaft	1	263188	263188	263188	263188
25	.625 Snap ring	1	S140-22	S140-22	S140-22	S140-22
26	Pinion gear	1	263182	263182	263182	263182
Hose Assembly			None	601032-50	None	601031-50
Hose I.D. x Length			None	1/4" x 50'	None	1/4" x 50'
Reel Inlet Connection			1/4" NPT(F)	1/4" NPT(F)	1/4" NPT(F)	1/4" NPT(F)
Max. Operating Pressure			200 PSI	200 PSI	200 PSI	200 PSI
Max. Operating Temperature			210 °F	210 °F	210 °F	210 °F