



## Technical Specifications

**Available Sizes:** .....Polypropylene & PVDF: 0.5" (13 mm) - 1.5" (38 mm)  
 .....SS316: 0.75" (19 mm) - 1.25" (32 mm)

**Accuracy:**.....+/- 1%

**Available Materials:**.....Polypropylene, PVDF or SS316

**Maximum Viscosity:**.....300 cps (mPas)

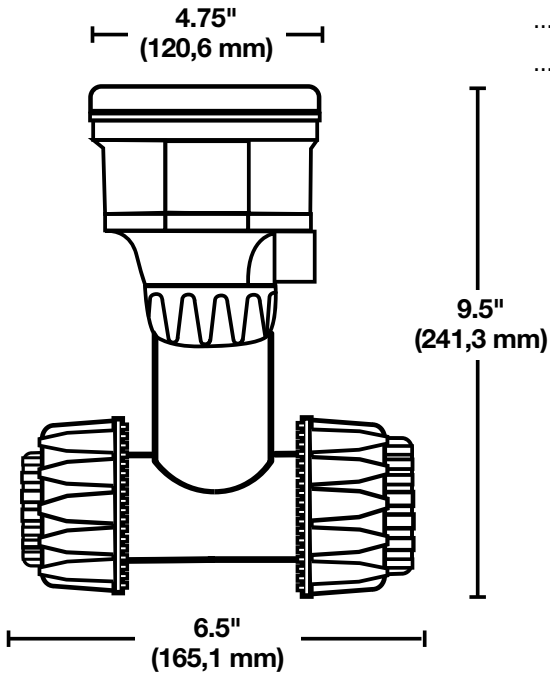
**Units of Measure:**.....Gallons, Liters or Cubic Meters

**Temperature Range:**.....Polypropylene: -4°-176°F (-20°-80°C)  
 .....SS316 & PVDF: -22°-212°F (-30°-100°C)

**Metering Principle:**.....Turbine (Paddle Wheel)

**Maximum Pressure:**.....150 psi (10,5 bar) @ 70°F (20°C)

**Flow Range:**.....0.5" (13 mm): 0.42 GPM (1,6 LPM) – 22.4 GPM (84,8 LPM)  
 .....0.75" (19 mm): 0.75 GPM (2,8 LPM) – 39.8 GPM (150,7 LPM)  
 .....1.0" (25 mm): 1.17 GPM (4,4 LPM) – 62.2 GPM (235,4 LPM)  
 .....1.25" (32 mm): 1.91 GPM (7,2 LPM) – 102 GPM (386,1 LPM)  
 .....1.5" (38 mm): 2.99 GPM (11,3 LPM) – 159.3 GPM (603 LPM)



Paddlewheel Technology



Controller Display

**WARNING:** Not suitable for pumping flammable or combustible liquids or use in a hazardous duty environment.